



MICRO EXPLORER S

User Manual



1 English Translation of the original instructions	32 Deutsch Originalbetriebsanleitung	62 Français Traduction de la notice originale
92 Nederlands Vertaling van de oorspronkelijke gebruiksaanwijzing	122 Español Traducción del manual original	152 Italiano Traduzione delle istruzioni originali
182 Русский язык Оригинальное руководство по эксплуатации	212 中文 用户指南原文翻译	242 한국의 원래 지침의 번역

More languages can be found in the download section of our international website
www.micro-mobility.com

PT: Mais idiomas podem ser encontrados na secção de download do nosso website internacional
www.micro-mobility.com

FI: Lisää kieliä löytyy kansainvälisen verkkosivustomme latausosasta:
www.micro-mobility.com

DK: Du kan finde flere sprog i afsnittet download på vores internationale hjemmeside:
www.micro-mobility.com

NO: Flere språk finner du i avsnittet Nedlastinger på våre internasjonale nettsider:
www.micro-mobility.com

SE: Fler språk kan finnas i hämtningssektionen för din internationella webbsida:
www.micro-mobility.com

HU: További nyelvek találhatók nemzetközi weboldalunk (www.micro-mobility.com)
letöltési részében

EE: Rohkem keeli leiате meie allalaadimiste osast rahvusvahelise veebilehel
www.micro-mobility.com.

GR: Μπορείτε να βρείτε περισσότερες γλώσσες στην ενότητα λήψης του διεθνούς
ιστότοπού μας www.micro-mobility.com

CZ: Další jazyky najdete v sekci ke stažení na naší mezinárodní web stránce
www.micro-mobility.com

SK: Viac jazykov nájdete v sekcii na stiahnutie na našej medzinárodnej web stránke
www.micro-mobility.com

SI: Za več jezikov glejte razdelek za prenos na naši mednarodni spletni strani
www.micro-mobility.com

RO: Puteți găsi mai multe limbi în secțiunea de descărcare a site-ului nostru web
internațional www.micro-mobility.com

PL: Więcej języków można znaleźć w sekcji pobierania na naszej międzynarodowej
stronie internetowej www.micro-mobility.com

BG: Повече езици можете да намерите в раздела за изтегляне на нашия международен уебсайт
www.micro-mobility.com

LV: Vairāk valodu var atrast mūsu starptautiskās mājaslapas www.micro-mobility.com
lejupielāžu sadaļā

LT: Daugiau kalbų rasite mūsų tarptautinės svetainės www.micro-mobility.com
atsisiuntimų skiltyje.

HR: Veći izbor jezika nalazi se u odjeljku za preuzimanje podataka na našoj međunarodnoj web stranici
www.micro-mobility.com

TR: www.micro-mobility.com uluslararası web sitemizin indirme bölümünde daha fazla dil
bulabilirsiniz.

JP: その他の言語は、弊社の国際ウェブサイトwww.micro-mobility.comの「ダウンロード」セクションにあります。

AR: ستجد المزيد من اللغات في قسم التحميل على موقعنا الدولي
www.micro-mobility.com

CONTENTS

1.	Components	4
2.	General information	
	Translation of the original instructions	5
	Explanation of terms and symbols	6
3.	Intended Use	7
4.	Safety Instructions	8 - 10
5.	Instructions for use	
	Unit identification	11
	Wear and tear	11
	Battery instructions for use	12
	Protection against theft	12
	Transporting the electric scooter	12
	Storage	12
	What to do after a fall or accident	13
	Cleaning	13
	Repair	13
	Instructions for disposal	14
6.	Initial setup	
	Before using for the first time	15
	Before each trip	16
7.	Operation	
	Unfolding	17
	Folding	18
	Foldable handles	19
	Turning the light on and off	19
	Charging the battery	20
	Brakes	21
	Operating the foot brake	21

Operating the regenerative brake	22
Riding with the electric scooter	22
Operating the hand brake.....	22
Twist throttle acceleration	23
Cruise control	23
Riding programs	23
Setting the riding programs	24
Display functionality explained	24

8.

Maintenance

Battery maintenance	25
---------------------------	----

9.

Technical data

26

10.

Declaration of conformity

27

11.

Warranty

Scope of warranty services	28
----------------------------------	----

12.

Warranty conditions

28

13.

Micro-Pass

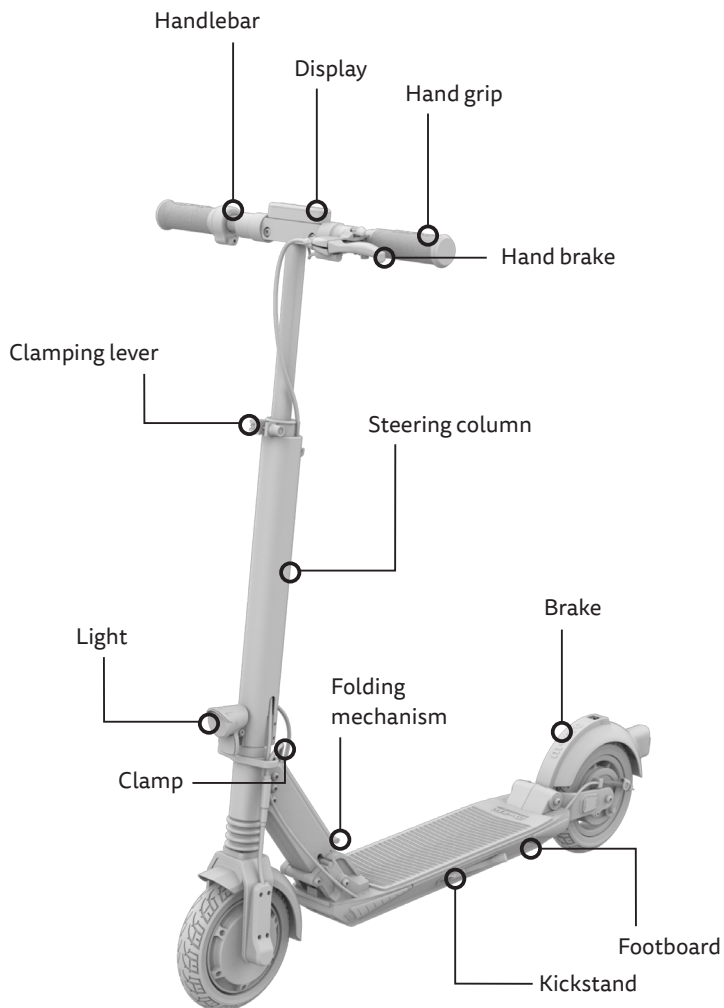
30

14.

Service record

31

COMPONENTS



GENERAL INFORMATION

User Manual

Before you begin using the electric scooter, please take the time to read the user manual carefully, especially the safety instructions. Please observe the road regulations for driving electric scooters which are also applicable in other countries and which may differ. Please keep this user manual for future reference. If you pass the electric scooter to a third party, please be sure to pass on this user manual.



Explanation of terms and symbols

The purpose of the security symbols is to draw your attention to possible dangers. Read the explanations carefully and make sure you understand the security symbols. Failure to follow the safety instructions can lead to personal injury or injury to third parties as well as damage to property.

The following symbols and signal words are used in this original user manual, on the electric scooter, or on the packaging:



WARNING

Indicates a potential **medium-risk** hazard, which may result in serious or fatal physical injury if not observed. This signal word is not used for risks that involve purely material damage.



CAUTION

Indicates a potential **low-risk** hazard, which may result in minor or moderate personal injury if not observed. This signal word is not used for risks that involve purely material damage.



NOTE

Indicates practical information and tips, which facilitate optimal use of the electric scooter.

INTENDED USE

- The electric scooter is intended exclusively for use as a scooter on defined roads and paths.
- The electric scooter is intended for the transport of one person.
- The electric scooter is designed for persons with a maximum weight of 100 kg, and a maximum height of 190 cm.
- Please ensure you have read and understood the road traffic regulations of your country before you use the electric scooter.
- The electric scooter is not suitable for transporting luggage or children.
- The electric scooter is for private use only and not for commercial purposes.
- The electric scooter is suitable for persons over the age of 16.
- The intended use also includes compliance with the information in the chapters 'Notes on use' and 'Maintenance'.
- Use the electric scooter only as described in the original user manual. Any other type of use is considered to be non-compliant and may lead to accidents, personal injury or damage to property.
- The motor power is 450W. The maximum total power accepted from the battery during acceleration is 500W.

SAFETY INSTRUCTIONS



WARNING

for using the electric scooter

- Do not use the electric scooter if you are not entirely familiar with its operation and functions.
- The scooter must not be used by persons with limited physical, sensory or mental capacity, or lack of experience and expertise.
- Children may not use, clean or maintain the electric scooter.
- The additional electronic brake assistance (motor brake) may lead to a shorter braking distance. Please be aware that the motor brake is not supported if...
 - the battery is discharged and you are riding with body power alone.
- Avoid riding at dusk or in poorly lit conditions.
- For optimum visibility and safety always ride with the lights switched on.
- Always wear suitable protective equipment.
- Make sure to wear an approved, fitted bike helmet, even if there is no statutory requirement.
- Always wear shoes.
- Avoid steep descents as they may lead to falls.
- Always pay attention to other road users. The misconduct of others may result in accidents and injuries.
- Always ride gently and pay particular attention to the condition of the road.



Unpredictable road conditions, such as slipperiness or foliage, may lead to an increased risk of skidding.

- Do not jump with the scooter and always make sure to avoid potholes, kerbs and other obstacles.
- Do not touch the brake after prolonged braking; it may be hot.
- If the electric scooter is exposed to wetness due to wet weather or cleaning, the moisture may affect the responsiveness of the braking system. Ride the scooter in a safe place to dry the brakes after cleaning.
- Never store the electric scooter in living areas or near flammable objects.
- Always hold the handlebars with both hands and both feet on the board in a stable and comfortable position.
- When using the rear brake pedal, use only one foot and leave the other foot on the board to maintain proper balance when handling the scooter.
- Beware of possible entrapment of fingers and other body parts when folding and unfolding the scooter and when folding and unfolding the handles of the scooter.
- The power to the scooter must be switched off before any maintenance or adjustment work is carried out.



WARNING

for attachments and modifications

- Do not modify the electric scooter or install incorrect accessories as this will put your safety at risk.
- The use of unauthorized accessories may result in serious injury or damage to the electric scooter.
- 'Customization' or 'Tuning' of the electric scooter is forbidden.
- Do not hang items such as bags on the handlebar, as this will have an adverse effect on the handling characteristics.



WARNING

for using the battery

- Make sure only to charge the battery with the enclosed charger and only at temperatures between 5° and 25° Celsius.
- Follow the safety instructions on the battery.
- Never charge the battery unattended.
- When charging the battery, ensure proper plug connection, adequate ventilation and a dry environment.
- Never bring the charger, the mains and connection cables into contact with water as this may cause an electric shock. Do not touch the battery and charger with wet hands.
- Check the connecting plug and charger at regular intervals. If there is any damage, have them replaced.
- Always store the battery at temperatures between 5° and 25° Celsius.
- Keep the battery out of reach of children and animals at all times.
- Any repairs and maintenance of the battery or charger must be carried out by a specialist.



WARNING

for setup, maintenance and repair

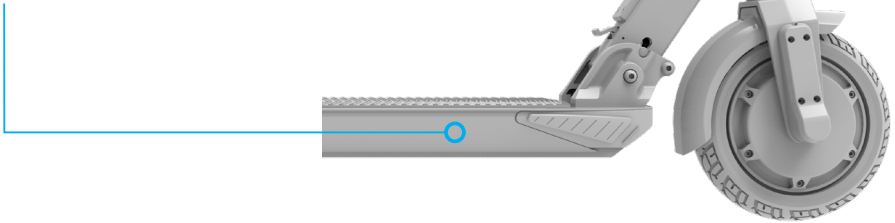
- Incorrect tightening of screws may lead to material fatigue. Screws become soft when they are subjected to excessive stress and may tear. This increases the risk of accidents and injuries. Always use a torque spanner to tighten the screws.
- Always consult a specialist for repairs to the drive system.

INSTRUCTIONS FOR USE

Unit identification

- The serial number is found on the front right side of the deck.

XXXXXXXXXXXX



- More information about your scooter can be found on the adhesive label affixed to the scooter.

Wear and tear

Use of the electric scooter results in a natural wear and tear process. To ensure safe riding at all times, please read the chapter 'Maintenance', observe the maintenance intervals and have them recorded in the service record by an authorized service centre. Furthermore, follow the instructions in the 'Before each trip' section, each time you start up your electric scooter.

Battery instructions for use

The built-in lithium-ion battery is a high-tech product which provides excellent performance with correct handling and maintenance. Please read and follow the section 'Charging the battery' in the chapter 'Operation' and the instructions for 'Battery maintenance' in the chapter 'Maintenance'.

Protection against theft

Ensure that you never leave your electric scooter unattended, and always protect it from theft with a suitable lock. Use a commercially available bicycle lock to secure the electric scooter in the area of the rear wheel.

Transporting the electric scooter

The batteries are subject to legislation for hazardous goods. Special packaging and labelling requirements apply to transport by third parties (e.g. air freight or parcel service). In the case of shipment, please contact an expert for hazardous goods. Do not transport or ship damaged batteries.

Travel requirements: Please inquire your airline company and refer to the local laws.

Storage

Do not leave your scooter in direct sunlight or cold weather for extended periods of time. The ideal storage temperature for your scooter and battery is between 15° to 20° Celsius. Do not store your electric scooter in living areas, but in the garage.

What to do after a fall or accident

After a fall or accident, bring your electric scooter to an authorised service centre and have it checked for any damage.

Cleaning

To prevent corrosion of the screws and unnecessary wear and tear, it is advisable to thoroughly clean and dry the unit every three months and after every ride in the rain. After cleaning, rinse the scooter with clean water to remove any traces of the cleaning agent used. Then dry the scooter with a cloth.



NOTE

Use device-specific cleaning agents and care products as well as a soft sponge. Never use solvents for cleaning and avoid cleaning the scooter directly under running water.

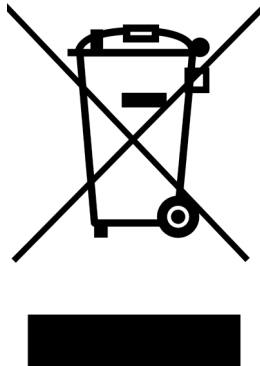
Repair

Have all repairs performed by an authorized dealer or an authorized service centre. Do not carry out any repairs on electrical components yourself. Only a specialist may open enclosures with built-in electrical components.

Instructions for disposal

Pay attention to the environment during disposal and observe the following instructions:

- Only dispose of the electric scooter and associated components (e.g. battery) at an approved disposal company or via the community disposal facility.
- Observe the current regulations. If in doubt, consult your disposal facility for environmentally sound disposal. Batteries and electrical appliances must not be disposed of with domestic waste!



INITIAL SETUP

Before using for the first time

- Check the scope of delivery:
 - Scooter, Charger & Power cabel, User Manual
- The end of this user manual contains the micro-Pass. Fill out the micro-Pass completely and store it together with the purchase receipt. The micro-Pass enables a smooth processing of repairs and warranty issues.
- The battery is only partially charged upon delivery. Before using for the first time, fully charge the battery using the charger provided.

Before each trip

The electric scooter must be checked for its roadworthiness before each trip. The vehicle is delivered by the manufacturer fully ready for use. Because defects potentially impairing the function of the vehicle may occur during transport as well as during any periods off the road, please always pay attention to the following points before using for the first time and before each trip:

Test item	Test content
Lights	Are the lights turned on?
General condition	Are all screws tightened firmly and all components secured?
Brakes	Are the brakes set correctly and fully functional?
Folding mechanism	Has the folding mechanism clicked into place properly and is the clamping lever closed and tightened firmly?
Battery charge status	Is the battery sufficiently charged?
Current riding mode	Which driving mode is currently set?
Micro App	Download from Android or iOS the App "Micro Mobility"

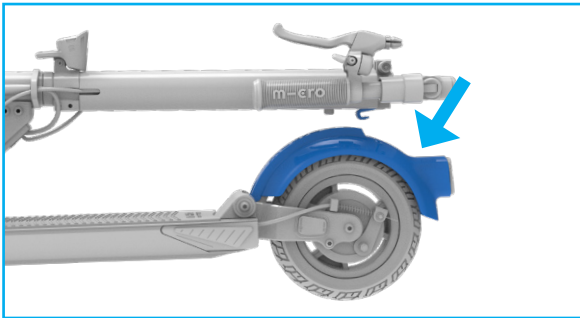
Before each use, it is imperative to check the wear of the tyres and the tightness of the screws.

OPERATION

Unfolding

Your electric scooter is delivered folded up. In a few simple steps, it is unfolded and ready to ride. The following explains how to unfold the scooter.

1. Press down the rear brake pedal in order to release the front tube hook.

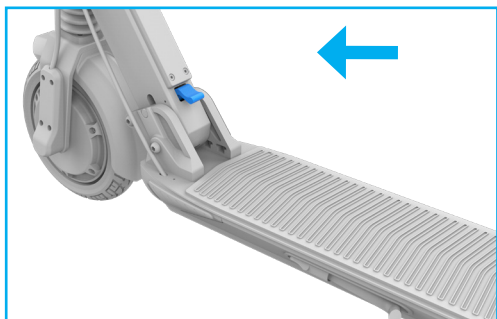


2. Pull up the front tube until you hear a click. The bolt on the folding block is now correctly positioned in place.



Folding

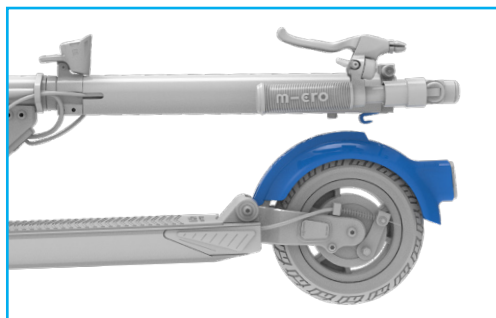
1. To fold your scooter, push the blue lever down with your foot while **applying pressure on the handlebar in direction of riding.**



2. This scooter has a sidestand. You can either use the sidestand or let the scooter stand by folding it partly.

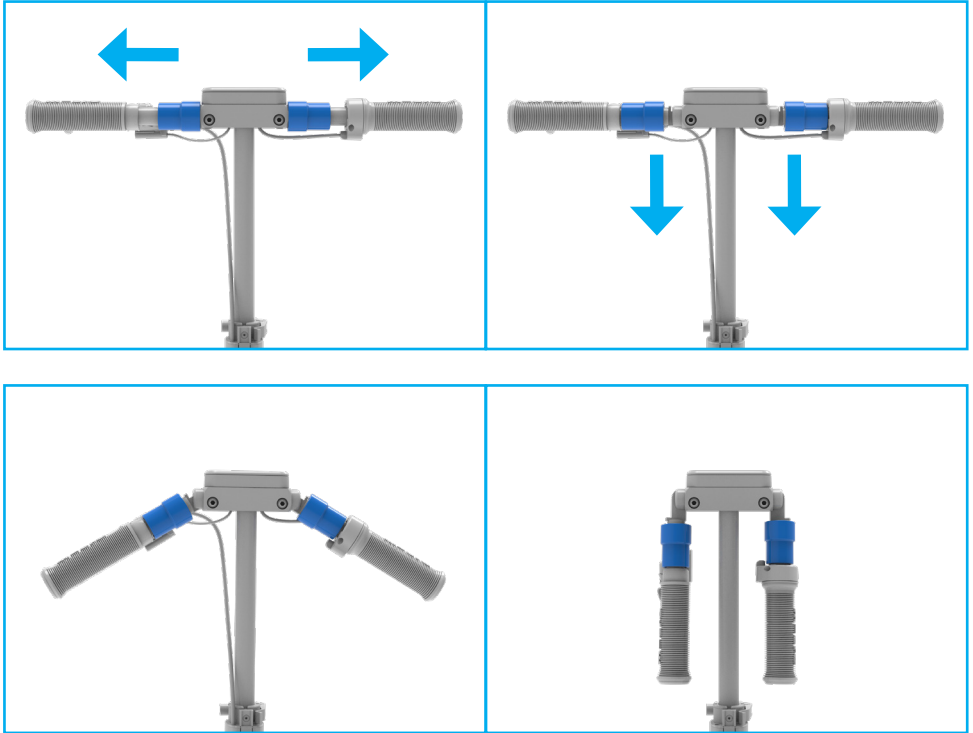


3. Click the hook on the vertical tube into the rear brake pedal.



Foldable Handles

You can fold the scooters handles in order to store it compactly. To do so, just pull out the handles horizontally and fold them down. To unfold them, just push them up slightly and they will automatically click into position.



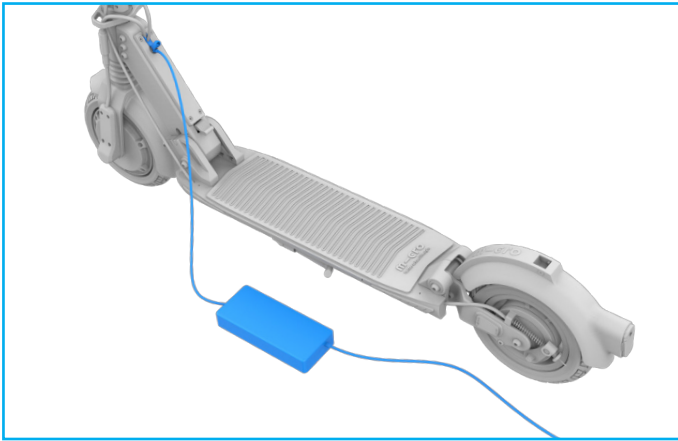
Turning the light on and off

- To switch the light on/off press shortly the light button (second button from the right side of the display).


Charging the battery

The following describes the charging process:

- Connect the electric scooter to the charger.
- Connect the charger to an electrical outlet. You can see that the charger and scooter are connected correctly when the LED display on the power supply unit changes to red (this may take a few seconds).
- When the scooter is fully charged, the LED display on the charger changes to green.



- Only Micro chargers are suitable for charging Micro electric scooters.
- For a better seal, make sure to close the protective cover of the charging connector after each use.

 : charger ref.: 5541 (EU), 5253 (UK), 5255 (US), 5257 (AU)



WARNING

The installed batteries are rechargeable lithium-ion batteries. Never charge batteries that are not intended to be recharged.

Brakes

Whenever possible, use several brakes at the same time during braking. Change the brakes during long downhill rides to avoid overheating.

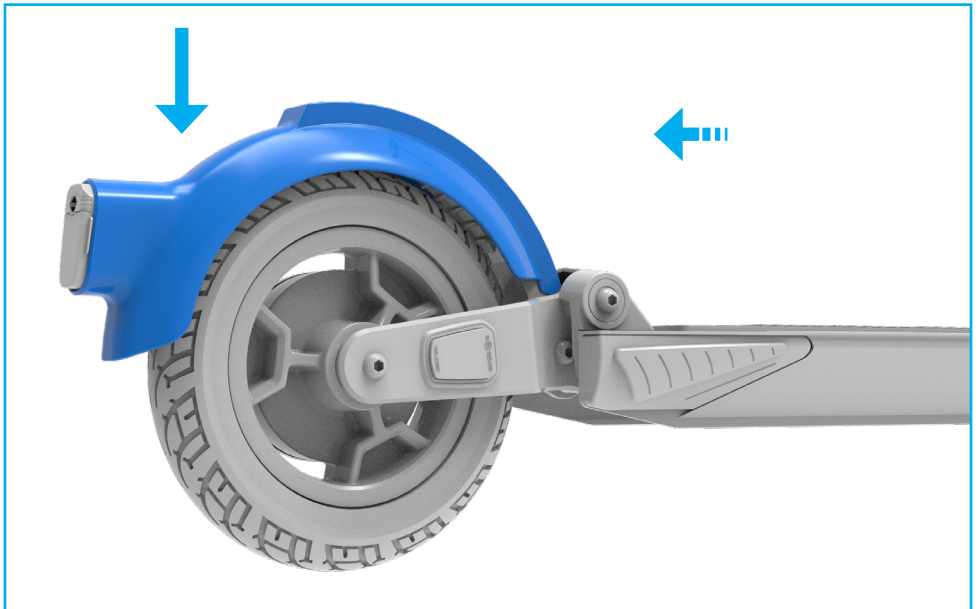


WARNING

Damp or wet road surfaces result in a longer braking distance. Be careful and reduce the speed on slippery or uneven road surfaces.

Operating the foot brake

During braking, shift the body so that the centre of gravity points towards the rear wheel to achieve the best braking performance. Shifting your weight backwards / downwards reduces the braking distance considerably. Operating the foot brake activates the motor brake automatically.



Operating the regenerative brake

To activate the regenerative brake (motor brake), rotate the throttle grip from the zero position in the direction of travel. You will notice immediately how the electric brake feels.



Driving with the electric scooter



WARNING

Ride slowly to become accustomed to the novel riding sensation, especially when riding for the first time. Always be aware that travelling at higher speeds on the electric scooter will also result in a longer braking distance.

Operating the hand brake

To activate the hand brake (drum brake on the rear wheel), pull the left hand lever. Operating the hand also activates the motor brake automatically.



Twist throttle acceleration

The electric scooter has a twist throttle (right side) to regulate the speed. In order to start, push with your foot off the ground and then rotate the twist throttle towards the body to accelerate the scooter.



Riding programs

Your electric scooter has several preset riding programs. For example, Eco mode gives you the option to travel long distances comfortably whereas Sport mode lets you climb up mountains quickly.

Riding program	Program indication on display	Maximum speed*
Pedestrian mode	1.	6 km/h
Eco mode	2.	15 km/h
Standard mode	3.	20 km/h
Sport mode	4.	25 km/h

* According to country specific regulations the maximum speed may be limited to 20 km/h.



NOTE

The electric scooter is not generally approved for use on public roads. Please note that each country has specific regulations and restrictions for electric vehicles in road traffic (especially in terms of maximum speed, performance and authorised roads). Please inform yourself about the applicable guidelines for your country in person and in detail.

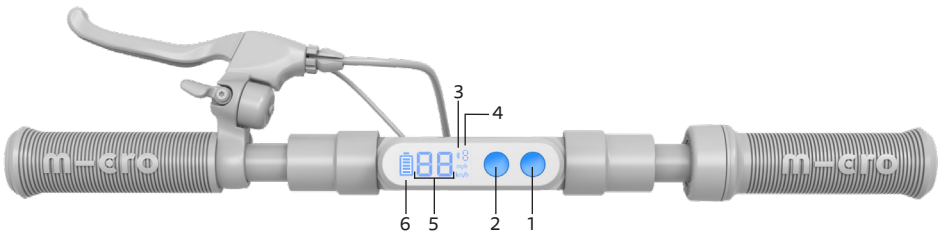
Setting of the riding programs

You can change between the riding programs by clicking on the on/off & mode selection button.

Display interface and functions

The following illustration shows the different positions on the display.

- The number (1–4) at the top of the screen shows the selected riding mode.
- The large numbers on the left show the current speed.
- The battery icon on the left displays the current state of charge of your battery.



- 1. ON/OFF & Mode selection button:**
 - ON/OFF: press 3 seconds
 - Mode (1–4): press shortly
- 2. Light button:**
 - Light ON/OFF: press shortly
- 3. APP connectivity**
- 4. Mode (1–4)**
- 5. Speed**
- 6. Battery level**

MAINTENANCE

To ensure a long operating life of your electric scooter, it is necessary to bring the scooter for a service once a year or every 500 kilometres (whichever occurs first) to an authorized dealer or an authorized service centre. Provide the service centre with the service record and make sure that the service has been entered correctly.

- We recommend that you take good care of your bearings with a suitable lubricant for a perfect and safe glide.
- The drum brake should be checked regularly and its tension adjusted for safe use.
- All maintenance and repairs must be carried out using original parts supplied by Micro Mobility.



NOTE

After using the electric scooter for the first 5 hours, check whether all screws are tightened and, if necessary, tighten any loose screw.

Battery maintenance

Please follow the care instructions to ensure a long lifetime of your battery pack:

- Store batteries at a temperature between 5° and 25° Celsius.
- Fully charge the battery immediately after purchase.
- Fully charge the battery every three months if the scooter is not in use.
- The battery needs to be recharged within three days after it has been completely drained.



NOTE

Damage resulting from non-compliance with the above care instructions is not covered by warranty claims.

TECHNICAL DATA

	Micro Explorer S
Article number	EM0072, EM0076, EM0083
Wheel size (front/rear)	200 / 200 mm
Weight	14.7 kg
Twist throttle	✓
Front and rear wheel brake	✓
Rear light	✓
Front light	✓
Performance (max. power)	500 Watt
Wheel material	Rubber
Height of the handlebar	1095 mm
Total length	1028 mm
Battery	36 V / 9.6 Ah / 345 Wh
Cells	EVE
Range	40 km *
Speed	6 / 15 / 25 km/h **
Charging time	3.5 h
Charge status	indication on the display

(*) autonomy based on normal conditions (flat surface, temperature of 20° celsius, 75 kg rider weight, Eco mode)

(**) According to country specific regulations the maximum speed may be limited to 20 km/h

EC DECLARATION OF CONFORMITY

Manufacturer:

Micro Mobility Systems Ltd. Bahnhofstrasse 10
8700 Küsnacht
Switzerland

Authorised representative for the compilation of the technical documentation:

Micro Mobility Systems Ltd. Bahnhofstrasse 10
8700 Küsnacht
Switzerland

Product:

Electric scooter (E-scooter)
EM0072 - Micro Explorer S Silver 25
EM0076 - Micro Explorer S Silver 20
EM0083 - Micro Explorer S AMG

Serial number:
XXXXXXXXXXXX

Charger:
5541 (EU), 5253 (UK), 5255 (US), 5257 (AU)

The above product complies with the following directives:

- Machinery Directive 2006/42/EC
- EMC Directive 2014/30/EU
- LVD Directive 2014/35/EU
- RoHS Directive 2011/65/EU

The following (harmonised) standards have been applied in the inspection:

- | | | |
|---|---------------------|-----------------|
| ● EN ISO 12100:2010 | Machinery Directive | Scooter |
| ● EN61000-6-1:2019 | EMC | Scooter/Charger |
| ● EN55014-1:2017 | EMC | Charger |
| ● EN55014-2:2015 | EMC | Charger |
| ● EN61000-3-2:2019 | EMC | Charger |
| ● EN61000-3-3:2013 | EMC | Charger |
| ● EN61000-6-3:2011 | EMC | Scooter/Charger |
| ● EN60335-1:2012+A11:2014+A13:2017
+A1:2019+A14 :2019+A2 :2019 | LVD | Scooter/Charger |
| ● EN60335-2-29:2016 | LVD | Charger |
| ● 2011/65/UE, 2015/863/UE | RoHS | Scooter/Charger |
| ● EC1907/2006 | REACH | Scooter |
| ● EN61558-1:2005+A1:2009 | LVD | Charger |
| ● EN61558-2-16:2009+A1:2013 | LVD | Charger |

Other applied technical standards and specifications :

- EN17128:2020 Scooter – Personal light electric vehicles (PLEV)
- EN15194:2018 Cycles-EPAC bicycles
- EN62133:2012 Battery

01.07.2022 Küsnacht



Wim Ouboter, CEO

WARRANTY

The following warranty service can be expected:

- Two-year warranty on the scooter components: Footboard, complete front assembly and brake pedal. All wearing parts, small parts and screws are excluded from this warranty.
- One year warranty on the battery or 300 full charge cycles (whichever occurs first). We guarantee a remaining capacity of 60% of the original rated capacity.
- One year warranty on the electric components: Motor, display, controller and cables.

Scope of warranty services

Based on this warranty, Micro commits to the following services during the respective warranty periods: at the discretion of Micro, repair or replacement with equivalent parts/components where the replacement may vary from the original in terms of model and/or colour;

services that do not fall under warranty and fall within the skills set of the dealer, as well as the cleaning of scooters delivered in an unclean condition, will be billed at the standard hourly rate including all incurred costs for materials and transport;

- Any service rendered under warranty (repair/replacement) does not extend the original warranty.
- Any claims other than those mentioned above do not apply.

WARRANTY TERMS AND CONDITIONS

The warranty does not cover damage caused by the following:

- Damage caused by not re-charging the battery when required.

- Damage caused by storage, charging or usage outside the specified temperature range.
- Improper use, inappropriate application or negligent operation (e.g. jumps).
- Improper alteration by third parties (e.g. by opening the footboard).
- Improper charging (e.g. by charging with a charger different from the one provided).
- Exceeding the maximum speed of 40 km/h on downhill rides.
- Technical modifications of the scooter without the manufacturer's consent.
- Subsequent conversion/installation of non-compatible or non-original parts.
- Wear parts such as ball bearings, sliding bearings, bearing bolts and bearing screws, etc.
- Failure to comply with the maintenance intervals.
- Damage as a result of missing or incorrect setting(s) or worn components.
- Consequences of falling.
- Any personal or property damage to third parties or property resulting from the use of the scooter.
- Damage resulting from unsuitable cleaning agents, utensils such as high-pressure cleaners or additives used.
- Damages caused by user negligence in conjunction with water protection (the electric scooter is splash-resistant but not waterproof).

Severability clause

If any provision of this warranty is or becomes invalid, or has a loophole that needs to be closed, this will not affect the effectiveness of the other provisions. The missing or invalid provision shall be replaced with a provision that comes as close as possible to the intent and purpose of the original provision.

Applicable law and jurisdiction

In the event of any dispute resulting from this warranty (also with regard to the question of its existence or validity), it is agreed that the exclusive venue shall be the Court of the Canton of Zurich. This purchase contract is subject to Swiss law with the exclusion of conflict laws, and the exclusion of the United Nations Convention on Contracts for the International Sale of Goods (UN Sales Convention).

MICRO-PASS

Please fill out the micro-Pass completely and keep it together with the purchase receipt.

Owner

Name and surname

Street / House number

Postal code

Country

Scooter

Serial Number

Model

Colour

Wheel size

Special features

Date of purchase

Dealer name

Dealer address

Purchase price



SERVICE RECORD

Any maintenance of the electric scooter needs to be recorded in the service record. Your electric scooter needs to be checked by an authorised service centre once a year or every 500 kilometres.

Type of order	<input type="checkbox"/> Annual maintenance <input type="checkbox"/> Repair
Performed date	
Performed by	
Order number	
Works performed	
Performed against payment	
Date, signature, stamp	

Type of order	<input type="checkbox"/> Annual maintenance <input type="checkbox"/> Repair
Performed date	
Performed by	
Order number	
Works performed	
Performed against payment	
Date, signature, stamp	



INHALT

1.	Komponenten	34
2.	Allgemeines	
	Originalbetriebsanleitung	35
	Begriffs- und Symbolerklärung	36
3.	Bestimmungsgemäßer Gebrauch	37
4.	Sicherheitshinweise	38 – 40
5.	Hinweise zum Gebrauch	
	Geräteidentifikation.....	41
	Verschleiß	41
	Akku Gebrauchshinweise	42
	Diebstahlschutz	42
	Transport des Elektrorollers	42
	Lagerung	42
	Nach einem Sturz oder Unfall	43
	Reinigung	43
	Reparatur	43
	Entsorgung	44
6.	Inbetriebnahme	
	Vor dem ersten Gebrauch	45
	Vor jeder Fahrt	46
7.	Bedienung	
	Aufklappen	47
	Zuklappen	48
	Faltbare Griffe	49
	Ein- und Ausschalten des Lichts	49
	Laden des Akkus	50
	Bremsen	51
	Bedienung der Fußbremse	51

Bedienung der Rekuperationsbremse	52
Fahren mit dem Elektroroller	52
Bedienung der Handbremse	52
Gasdrehgriff.....	53
Tempomat	53
Fahrprogramme	53
Einstellen der Fahrprogramme	54
Erklärung der Displayfunktionalität	54

8.	Instandhaltung	
	Instandhaltung des Akkus	55

9.	Technische Daten	56
-----------	-------------------------	----

10.	Konformitätserklärung	57
------------	------------------------------	----

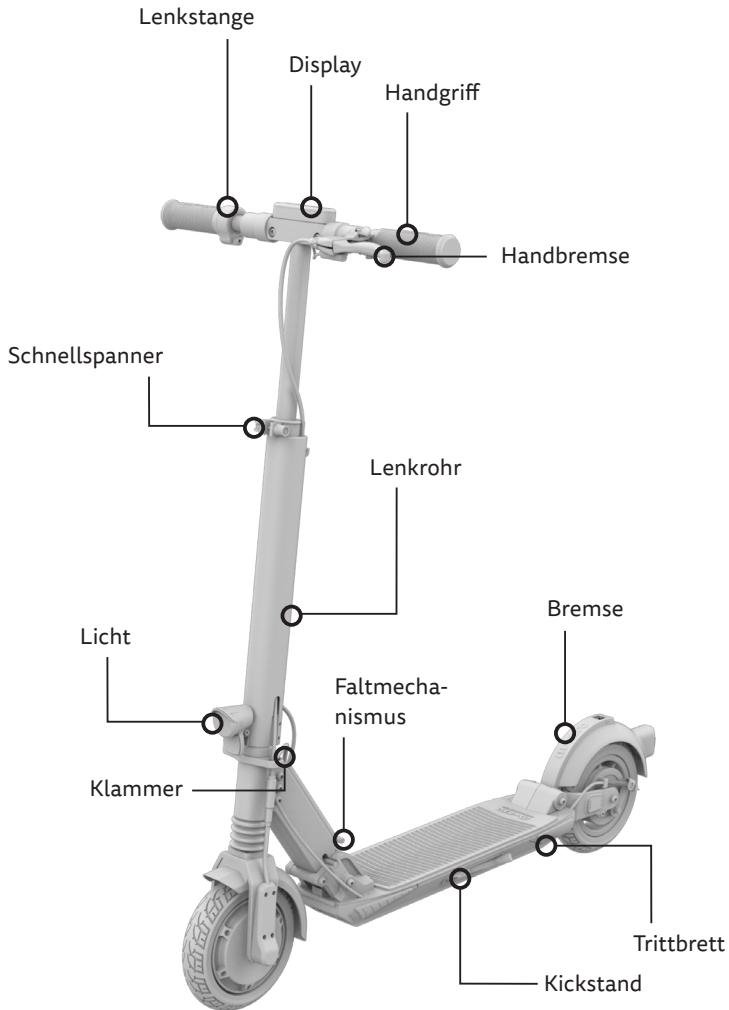
11.	Garantie	
	Umfang der Garantieleistungen	58

12.	Garantiebedingungen	58
------------	----------------------------	----

13.	Micro-Pass	60
------------	-------------------	----

14.	Wartungsnachweis	61
------------	-------------------------	----

KOMPONENTEN



Bedienungsanleitung

Lesen Sie die Bedienungsanleitung, insbesondere die Sicherheitshinweise sorgfältig durch, bevor Sie den Elektroroller verwenden. Beachten Sie auch die im Ausland geltenden und möglicherweise abweichenden Straßenverkehrsvorschriften für das Fahren von Elektrorollern. Bewahren Sie diese Bedienungsanleitung für die weitere Nutzung auf. Wenn Sie den Elektroroller an Dritte weitergeben, geben Sie diese Bedienungsanleitung mit.



Begriffs- und Symbolerklärung

Der Sinn von Sicherheitssymbolen besteht darin, Ihre Aufmerksamkeit auf mögliche Gefahren zu lenken. Lesen Sie deren Erläuterungen aufmerksam und stellen Sie sicher, dass Sie die Sicherheitssymbole verstehen. Nichtbefolgen der Sicherheitshinweise kann zu eigenen oder Verletzungen Dritter sowie zu Sachbeschädigungen führen.

Die folgenden Symbole und Signalworte werden in dieser Original-Bedienungsanleitung auf dem Elektroroller oder auf der Verpackung verwendet:



WARNUNG

Kennzeichnet eine mögliche Gefährdung mit **mittlerem Risiko**, die bei Nichtbeachten schwere oder tödliche Körperverletzung zur Folge haben kann. Dieses Signalwort wird nicht bei Gefahr für reine Sachschäden verwendet.



VORSICHT

Kennzeichnet eine Gefährdung mit **geringem Risiko**, die bei Nichtbefolgen leichte oder mittlere Körperverletzung zur Folge haben kann. Dieses Signalwort wird nicht bei Gefahr für reine Sachschäden verwendet.



HINWEIS

Verweist auf praktische Informationen und Tipps, welche die optimale Nutzung des Elektrorollers erleichtern.

BESTIMMUNGSGEMÄSSER GEBRAUCH


- Der Elektroroller ist ausschließlich für den Gebrauch als Tretroller auf befestigten Straßen und Wegen bestimmt.
- Der Elektroroller ist für den Transport einer einzelnen Person bestimmt.
- Der Elektroroller ist für Personen bis maximal 100 kg und maximal 190 cm Körpergröße bestimmt.
- Bitte informieren Sie sich vor dem Gebrauch des Elektrorollers über die geltenden Straßenverkehrsvorschriften in Ihrem Land.
- Für den Transport von Gepäck und/oder Kindern ist der Elektroroller nicht geeignet.
- Der Elektroroller ist ausschließlich für den Privatgebrauch und nicht für den gewerblichen Gebrauch bestimmt.
- Der Elektroroller ist für Personen ab 16 Jahre geeignet.
- Der bestimmungsgemäße Gebrauch beinhaltet auch die Einhaltung der Angaben in den Kapiteln „Hinweise zum Gebrauch“ sowie „Instandhaltung“.
- Verwenden Sie den Elektroroller nur so, wie es in der Original-Bedienungsanleitung beschrieben ist. Jede andere Verwendungsart gilt als nicht bestimmungsgemäß und kann zu Unfällen, Personen- und/oder Sachschäden führen.
- Die Motorleistung beträgt 450W. Die maximale Gesamtleistung, die während der Beschleunigung von der Batterie akzeptiert wird, beträgt 500W.

SICHERHEITSHINWEISE



WARNUNG

bei der Verwendung des Elektrorollers

- Benutzen Sie den Elektroroller nur, wenn Sie mit der Bedienung und allen Funktionen vertraut sind.
- Der Roller darf nicht von Personen mit verringerten physischen, sensorischen oder mentalen Fähigkeiten oder Mangel an Erfahrung und Wissen benutzt werden.
- Der Elektroroller darf nicht von Kindern benutzt, gereinigt oder gewartet werden.
- Die zusätzliche elektronische Motorenbremse kann zu einem kürzeren Bremsweg führen. Die Motorenbremse unterstützt nicht wenn ...
 - der Akku leer ist und Sie mit reiner Körperkraft fahren.
- Vermeiden Sie Fahrten bei Dämmerung und Dunkelheit.
- Bitte fahren Sie immer mit eingeschaltetem Licht, um bestmögliche Sichtbarkeit und Sicherheit zu gewährleisten.
- Tragen Sie stets geeignete Schutzausrüstung. 
- Tragen Sie einen angepassten, normgeprüften Fahrradhelm, auch wenn keine gesetzliche Pflicht besteht.
- Tragen Sie immer Schuhe.
- Steile Abfahrten können zum Sturz führen, meiden Sie solche.
- Achten Sie stets auf andere Verkehrsteilnehmer. Durch das Fehlverhalten anderer sind Unfälle und Verletzungen möglich.
- Fahren Sie stets vorausschauend und achten Sie insbesondere auf die Beschaffenheit der Fahrbahn. Durch unvorhersehbare Beschaffenheit der Fahrbahn wie Glätte oder Laub besteht erhöhte Rutschgefahr.

- Springen Sie nicht mit dem Roller und vermeiden Sie Schlaglöcher, Bordsteine und andere Hindernisse.
- Berühren Sie nach längerem Bremsvorgang die Bremse nicht, sie kann stark erhitzt sein.
- Bei Nässe oder nach der Reinigung des Elektrorollers kann durch die Feuchtigkeit die Bremsanlage verzögert ansprechen. Nach der Reinigung die Bremsen an einem gesicherten Ort „trocken fahren/bremsen“.
- Den Elektroroller niemals in Wohnräumen oder in der Nähe leicht entflammbarer Objekte lagern.
- Halten Sie Ihren Lenker immer mit beiden Händen, und beiden Füßen auf dem Brett in einer stabilen und bequemen Position.
- Wenn Sie das hintere Bremspedal benutzen, benutzen Sie nur einen Fuß und lassen Sie den anderen Fuß auf dem Brett, um die richtige Balance bei der Handhabung des Rollers zu erhalten.
- Vorsicht vor eingeklemmten Fingern und anderen Körperteilen beim Ein- und Ausklappen des Rollers und beim Ein- und Ausklappen der Griffe des Rollers.
- Der Strom zum Roller muss vor der Durchführung von Wartungs- oder Einstellarbeiten abgeschaltet werden.



bei Anbauten und Veränderungen

- Durch Anbauten und Veränderungen des Elektrorollers mit falschem Zubehör gefährden Sie Ihre Sicherheit.
- Die Verwendung von nicht zugelassenem Zubehör kann zu schweren Verletzungen oder zur Beschädigung des Elektrorollers führen.
- Die „Individualisierung“ oder das „Tunen“ des Elektrorollers ist verboten.
- Hängen Sie keine Gegenstände wie Taschen an die Lenkstange, da dies die Fahreigenschaften stark negativ beeinflusst.



WARNUNG

bei der Verwendung des Akkus

- Den Akku nur mit dem mitgelieferten Ladegerät und nur bei Temperaturen zwischen 5° und 25° Grad Celsius laden.
- Sicherheitshinweise auf dem Akku beachten.
- Den Akku nie unbeaufsichtigt laden.
- Bei jedem Ladevorgang sicherstellen, dass eine ordentliche Steckverbindung, eine angemessene Ventilation und eine trockene Umgebung vorhanden sind.
- Das Ladegerät, das Netz- und das Anschlusskabel niemals in Kontakt mit Wasser bringen, dies kann zu einem Kurzschluss führen. Akku und Ladegerät nicht mit feuchten Händen berühren.
- Regelmäßige Kontrollen des Anschlussteckers und des Ladegerätes durchführen. Bei Beschädigung ist das Gerät auszutauschen.
- Lagern Sie den Akku jederzeit bei Temperaturen zwischen 5 ° und 25 ° Celsius.
- Lagern Sie den Akku jederzeit unzugänglich für Kinder und Tiere.
- Reparaturen und Wartung des Akkus oder Ladegerätes nur durch einen Fachmann durchführen lassen.



WARNUNG

bei Einstellung, Wartung und Reparatur

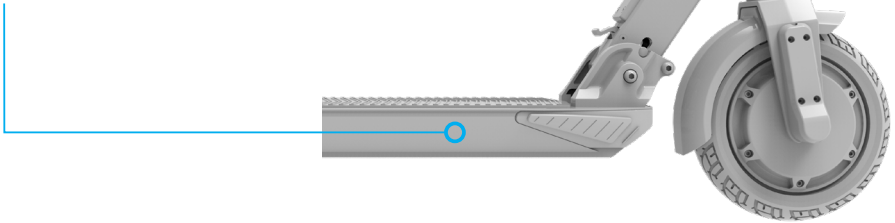
- Falsches Festziehen von Schrauben kann zu Materialermüdung führen. Schrauben werden bei zu großer Beanspruchung weich und können reißen. Dadurch besteht erhöhte Unfall- und Verletzungsgefahr. Immer zum Festziehen der Schrauben einen Drehmomentschlüssel verwenden.
- Für Reparaturen am Antriebssystem immer einen Fachmann konsultieren.

HINWEISE ZUM GEBRAUCH

Geräteidentifikation

- Die Seriennummer befindet sich vorne rechts am Deck.

XXXXXXXXXXXX



- Weitere Informationen zu Ihrem Roller finden Sie auf dem Klebeetikett am Roller.

Verschleiß

Der Elektroroller weist durch Gebrauch naturgemäß Verschleißerscheinungen auf. Um eine konstant sichere Fahrt zu gewährleisten, lesen Sie bitte das Kapitel „Instandhaltung“ aufmerksam durch, halten Sie die Wartungsintervalle ein und lassen Sie diese von einer autorisierten Servicestelle im Wartungsnachweis eintragen. Befolgen Sie zudem die Anweisungen im Kapitel „Vor jeder Fahrt“ bei jeder Inbetriebnahme ihres Elektrorollers.

Akku Gebrauchshinweise

Der verbaute Lithium-Ionen-Akku ist ein hochtechnologisches Produkt, welches bei korrekter Bedienung und Wartung exzellente Leistung erbringt. Lesen Sie den Abschnitt „Laden des Akkus“ im Kapitel „Bedienung“ und die Anweisungen zu „Instandhaltung des Akkus“ im Kapitel „Instandhaltung“ aufmerksam durch und befolgen Sie diese.

Diebstahlschutz

Stellen Sie sicher, dass Sie Ihren Elektroroller nie unbeaufsichtigt stehen lassen und stets mit einem geeigneten Schloss vor Diebstahl sichern. Der Elektroroller kann im Bereich des Hinterrades mit einem handelsüblichen Fahrradschloss abgeschlossen werden.

Transport des Elektrorollers

Die Akkus unterliegen der Gesetzgebung für Gefahrgut. Beim Transport durch dritte Parteien (z. B. Luftfracht oder Paketdienst) gelten spezielle Anforderungen bezüglich Verpackung und Etikettierung. Im Falle eines Versands wenden Sie sich an einen Experten für Gefahrgut. Transportieren und versenden Sie keine beschädigten Akkus.

Reisevoraussetzungen: Bitte erkundigen Sie sich bei Ihrer Fluggesellschaft und nach den örtlichen Gesetzen.

Lagerung

Lassen Sie Ihren Roller weder in direktem Sonnenlicht noch bei kalten Temperaturen über längere Zeit draußen stehen. Die ideale Lagertemperatur für Roller und Akku sind 15 ° und 20 ° Grad Celsius. Lagern Sie Ihren Elektroroller nicht in Wohnräumen, sondern in der Garage.

Nach einem Sturz oder Unfall

Bringen Sie Ihren Elektroroller nach einem Sturz oder Unfall in eine autorisierte Servicestelle und lassen ihn auf allfällige Schäden prüfen.

Reinigung

Um Rost an Schrauben und unnötigem Verschleiß vorzubeugen, empfiehlt es sich, das Fahrzeug alle drei Monate und nach jeder Regenfahrt gründlich zu reinigen und zu trocknen. Nach der Reinigung den Roller mit klarem Wasser nachspülen, um Reinigungsmittelreste zu entfernen. Anschließend den Roller mit einem Tuch trockenreiben.



HINWEIS

Verwenden Sie gerätetypische Reinigungs- und Pflegemittel und einen weichen Schwamm. Verwenden Sie keinesfalls Lösungsmittel zur Reinigung und vermeiden Sie es, den Roller unter direktem Wasserstrahl zu reinigen.

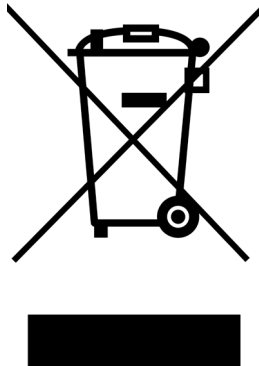
Reparatur

Lassen Sie sämtliche Reparaturen von einem autorisierten Händler oder einer autorisierten Servicestelle durchführen. Nehmen Sie auf keinen Fall Reparaturen an elektrischen Bauteilen selbst vor. Gehäuse mit eingebauten elektrischen Bauteilen dürfen ausschließlich von einem Fachmann geöffnet werden.

Entsorgung

Achten Sie auch beim Entsorgen auf die Umwelt und beachten Sie folgende Hinweise:

- Entsorgen Sie den Elektroroller und die dazugehörigen Komponenten (z. B. Akku) unbedingt über einen zugelassenen Entsorgungsbetrieb oder über die kommunale Entsorgungseinrichtung.
- Beachten Sie die aktuell geltenden Vorschriften. Erkundigen Sie sich im Zweifelsfall bei Ihrer Entsorgungseinrichtung über eine umweltgerechte Entsorgung. Batterien und Elektrogeräte dürfen nicht in den Hausmüll gelangen!



INBETRIEBNAHME

Vor dem ersten Gebrauch

- Prüfen Sie den Lieferumfang:
 - Roller, Ladegerät & Stromversorgungskabel, Bedienungsanleitung
- Am Ende dieser Bedienungsanleitung finden Sie den micro-Pass. Füllen Sie den micro-Pass vollständig aus und bewahren Sie diesen zusammen mit der Kaufquittung auf. Der micro-Pass ermöglicht bei Reparaturen und Garantiefällen eine reibungslose Abwicklung.
- Der Akku ist bei Auslieferung nur teilgeladen. Laden Sie den Akku vor der ersten Fahrt mit dem dafür vorgesehenen Ladegerät vollständig auf.

Vor jeder Fahrt

Vor jeder Fahrt muss der Elektroroller auf seine Verkehrssicherheit überprüft werden. Das Fahrzeug wird vom Hersteller komplett betriebsfertig ausgeliefert. Da funktionsbeeinträchtigende Mängel während des Transports aber auch nach einer gewissen Nutzungsdauer auf der Straße auftreten können, beachten Sie bitte vor dem ersten Gebrauch und vor jeder Fahrt folgende Punkte:

Prüfpunkt	Prüfinhalt
Lichter	Sind die Lichter eingeschaltet?
Allgemeinzustand	Sind alle Schrauben fest angezogen und sitzen alle Bauteile satt?
Bremsen	Sind die Bremsen korrekt eingestellt und vollständig funktionsfähig?
Faltmechanismus	Ist der Faltmechanismus korrekt eingeklickt sowie der Spannhebel geschlossen und fest angezogen?
Ladezustand des Akkus	Ist der Akku ausreichend geladen?
Aktueller Fahrmodus	Welcher Fahrmodus ist aktuell eingestellt?
Micro App	Laden Sie die „Micro Mobility“ App vom Google Play Store oder Apple App Store herunter.

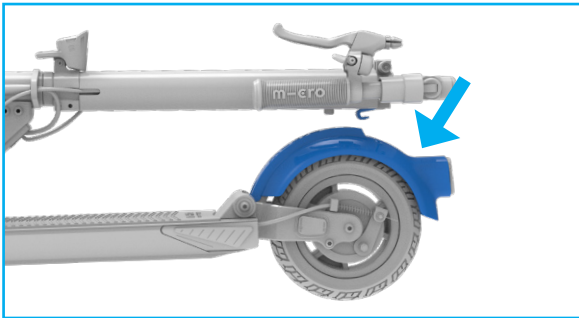
Es ist unbedingt erforderlich, vor jedem Einsatz den Reifenverschleiß und den festen Sitz der Schrauben zu überprüfen.

BEDIENUNG

Aufklappen

Sie erhalten Ihren Elektroroller im zusammengeklappten Zustand. Mit nur wenigen Handgriffen ist er aufgeklappt und fahrbereit. Nachfolgend wird erklärt, wie man den Roller aufklappt.

1. Betätigen Sie das Pedal für die Hinterbremse, um die Lenkstange zu entriegeln.

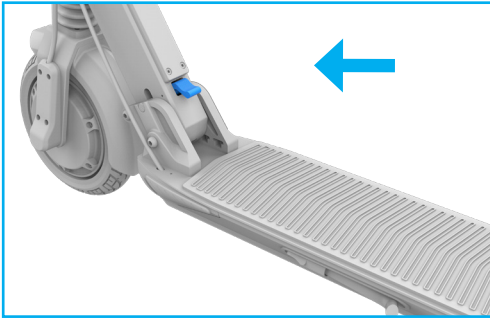


2. Klappen Sie die Lenkstange auf, bis diese mit einem vernehmbaren Klicken einrastet. Der blaue Druckknopf am Block für den Klappmechanismus ist nun richtig positioniert.



Zuklappen

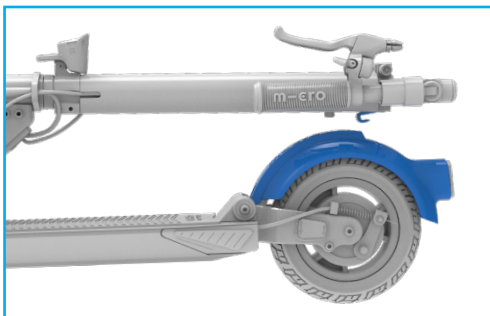
1. Drücken Sie den blauen Hebel mit Ihrem Fuß herunter, **während Sie zeitgleich Druck auf die Lenkstange ausüben**, um den Roller zusammenzuklappen.



2. Der Roller hat einen Seitenständer. Zum Parken kann man entweder den integrierten Seitenständer verwenden oder den Roller teilweise zusammenklappen.

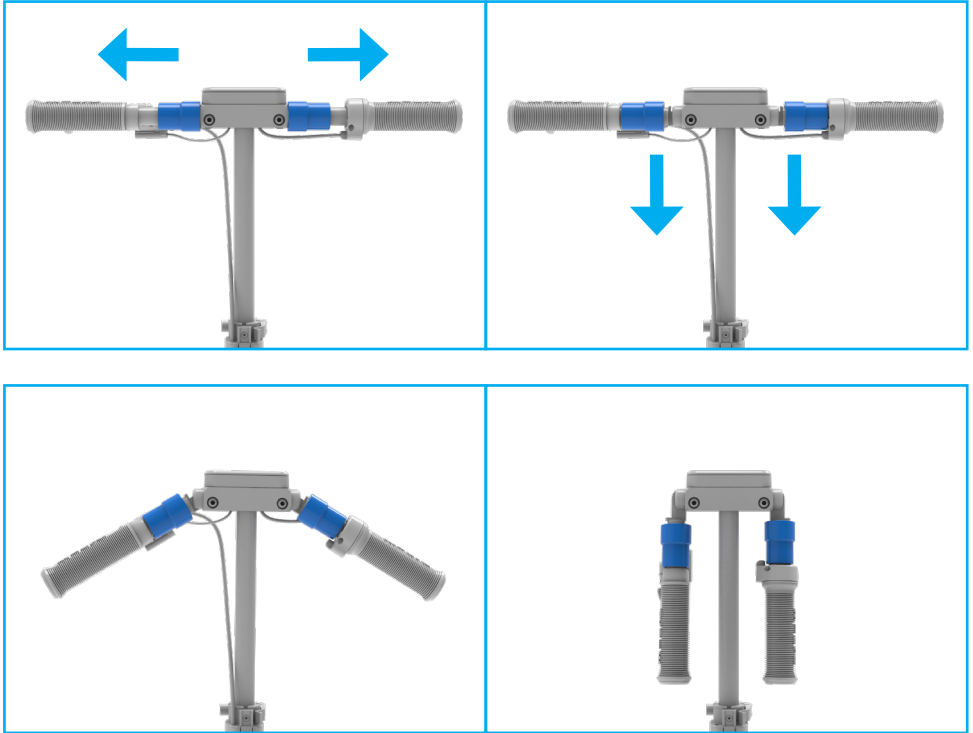


3. Befestigen Sie den Haken der Lenkstange am Pedal für die Hinterbremse.



Faltbare Griffe

Sie können die Griffe des Rollers zusammenfalten, um Platz zu sparen. Ziehen Sie die Griffe horizontal heraus und klappen Sie diese nach unten. Um die Griffe wieder anzubringen, drücken Sie diese leicht nach oben, das Einrasten erfolgt automatisch.



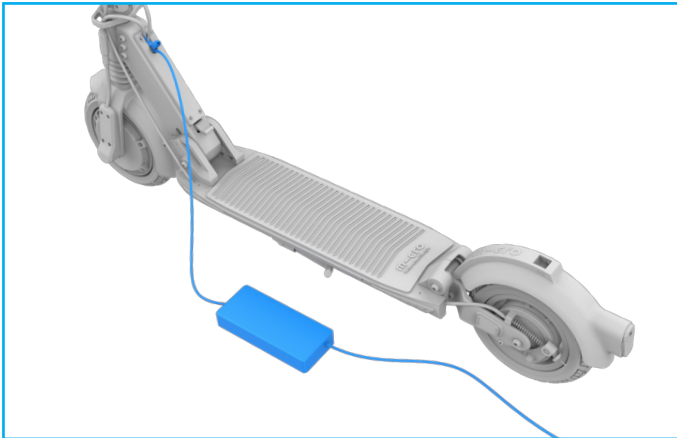
Ein- und Ausschalten des Lichts

- Zum Ein- und Ausschalten des Lichts drücken Sie kurz den Lichtknopf (zweiter Knopf von der rechten Seite des Displays).

Laden des Akkus

Im Folgenden wird der Ladevorgang beschrieben:

- Verbinden Sie den Elektroroller mit dem Ladegerät.
- Schließen Sie das Ladegerät an eine Steckdose an. Sie erkennen, dass Ladegerät und Roller korrekt verbunden sind, wenn die LED-Anzeige am Netzteil auf rot wechselt (dies kann einige Sekunden dauern).
- Sobald der Roller vollständig aufgeladen ist, wechselt die LED-Anzeige am Ladegerät wieder auf grün.



- Nur Micro Ladegeräte sind zum Aufladen von Micro Elektrorollern geeignet.
- Um eine bessere Abdichtung zu erreichen, stellen Sie sicher, dass die Schutzabdeckung des Ladeanschlusses nach jedem Gebrauch geschlossen wird

 : Ladegerät Ref: 5541 (EU), 5253 (UK), 5255 (US), 5257 (AU)



WARNUNG

Die verbauten Akkus sind wieder aufladbare Lithium-Ionen-Akkus. Laden Sie niemals Akkus wieder auf, die nicht zum Wiederaufladen bestimmt sind.

Bremsen

Benutzen Sie, wenn möglich, bei einem Bremsvorgang immer mehrere Bremsen gleichzeitig.

Wechseln Sie bei langen Bergabfahrten zwischen den Bremsen, um ein Überhitzen zu vermeiden.

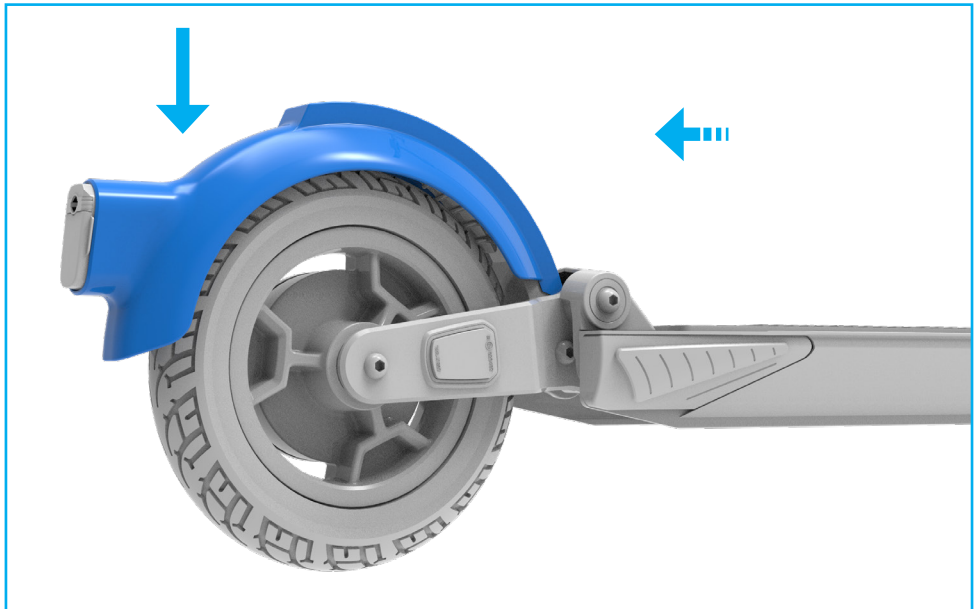


WARNUNG

Bei feuchter oder nasser Fahrbahn verlängert sich der Bremsweg erheblich. Seien Sie vorsichtig und reduzieren Sie die Geschwindigkeit bei rutschiger oder unebener Fahrbahn.

Bedienung der Fußbremse

Um eine optimale Bremsleistung zu erreichen, verlagern Sie den Körperschwerpunkt beim Bremsen übers Hinterrad. Bei der Verlagerung des Gewichts nach hinten / unten, erreichen Sie eine massive Verkürzung des Bremswegs. Die Motorenbremse wird bei Betätigung der Fußbremse automatisch aktiviert.



Bedienung der Rekuperationsbremse

Um die Rekuperationsbremse (Motorenbremse) zu aktivieren, drehen Sie den Gasdrehgriff aus der Nullposition in Fahrtrichtung. Sie spüren sofort, wie der Elektromotor bremst.



Fahren mit dem Elektroroller



WARNUNG

Fahren Sie speziell bei Ihrer ersten Fahrt langsam, um sich an das neuartige Fahrgefühl zu gewöhnen. Seien sie sich stets bewusst, dass die höhere Geschwindigkeit eines Elektrorollers auch einen längeren Bremsweg zur Folge hat.

Bedienung der Handbremse

Ziehen Sie am Bremshebel an der Lenkstange, um die Handbremse (Trommelbremse am Hinterrad) zu aktivieren. Durch Betätigen der Handbremse wird auch die Motorbremse automatisch aktiviert.



Gasdrehgriff

Der Elektroroller verfügt über einen Gasdrehgriff (rechte Seite) zur Regulierung der Geschwindigkeit. Um zu starten, stoßen Sie sich mit dem Fuß vom Boden ab und drehen den Griff zum Körper hin.



Fahrprogramme

Bei Ihrem Elektroroller sind verschiedene Fahrprogramme vorprogrammiert. Damit haben Sie zum Beispiel die Wahl, im Sparmodus gemütlich lange Strecken zurückzulegen oder im Sportmodus flott Berge zu erklimmen.

Fahrprogramm	Programmanzeige auf dem Display	Maximale Geschwindigkeit*
Fußgängermodus	1.	6 km/h
Sparmodus	2.	15 km/h
Standardmodus	3.	20 km/h
Sportmodus	4.	25 km/h

* Entsprechend den länderspezifischen Bestimmungen kann die Höchstgeschwindigkeit auf 20 km/h begrenzt sein.



HINWEIS

Der Elektroroller ist nicht generell für den Straßenverkehr zugelassen. Beachten Sie, dass in jedem Land für elektrische Fahrzeuge im Straßenverkehr eigene Gesetzgebungen und Restriktionen gelten (insbesondere bezüglich maximaler Geschwindigkeit, Leistung und zugelassener Fahrwege). Informieren Sie sich persönlich und ausführlich über die geltenden Richtlinien in Ihrem Land.

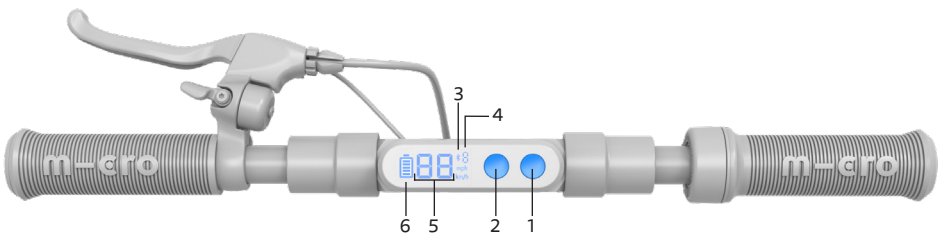
Einstellen der Fahrprogramme

Sie können zwischen den Fahrprogrammen wechseln, indem Sie kurz auf den Ein-/Aus- und Modus-Auswahlknopf klicken.

Displayinterface und Funktionen

Die folgende Abbildung zeigt die verschiedenen Displayfunktionen.

- Die Nummer (1–4) am oberen Rand des Displays zeigt das ausgewählte Fahrprogramm an.
- Die große Zahl auf der linken Seite ist die Geschwindigkeitsanzeige.
- Auf der linken Seite verweist das Akkusymbol auf die verbleibende Akkulaufzeit.



- | | |
|--|---------------------------|
| 1. Ein/Aus & Modus-Auswahl taste: <ul style="list-style-type: none">– Ein/Aus: 3 Sekunden drücken– Modus (1–4): kurzes Drücken | 3. App Verbindung |
| 2. Lichtknopf: <ul style="list-style-type: none">– Licht Ein/Aus: kurzes Drücken | 4. Modus (1–4) |
| | 5. Geschwindigkeit |
| | 6. Batteriestand |

INSTANDHALTUNG

Um eine lange Lebensdauer Ihres Elektrorollers zu gewährleisten, ist es notwendig den Roller einmal pro Jahr oder alle 500 Kilometer (je nachdem, was zuerst eintritt) bei einem autorisierten Händler oder einer autorisierten Servicestelle in die Wartung geben. Übergeben Sie der Servicestelle Ihren Wartungsnachweis und versichern Sie sich, dass die Wartung von der Servicestelle ordnungsgemäß eingetragen wird.

- Wir empfehlen Ihnen, Ihre Lager mit einem geeigneten Schmiermittel für ein perfektes und sicheres Gleiten gut zu pflegen.
- Die Trommelbremse sollte regelmäßig überprüft und ihre Spannung für einen sicheren Gebrauch eingestellt werden.
- Alle Wartungs- und Reparaturarbeiten müssen mit von Micro Mobility gelieferten Originalteilen durchgeführt werden.



HINWEIS

Überprüfen Sie nach den ersten 5 Fahrtstunden mit dem Elektroroller, ob sämtliche Schrauben korrekt angezogen sind, und ziehen Sie lose Schrauben nach.

Instandhaltung des Akkus

Bitte befolgen Sie die nachfolgenden Pflegehinweise für eine lange Lebenszeit ihres Akkupacks:

- Lagern Sie den Akku stets bei Temperaturen zwischen 5 ° und 25 ° Celsius.
- Laden Sie den Akku nach dem Kauf umgehend vollständig auf.
- Laden Sie den Akku bei Nichtgebrauch des Rollers alle drei Monate vollständig auf.
- Laden Sie den Akku innerhalb von drei Tagen auf, wenn Sie ihn vollständig leergefahren haben.



HINWEIS

Entstandene Schäden, die auf Nichteinhaltung obiger Pflegehinweise zurückzuführen sind, werden nicht durch Garantieleistungen gedeckt.

TECHNISCHE DATEN

	Micro Explorer S
Artikelnummer	EM0072, EM0076, EM0083
Radgröße (vorne/hinten)	200 / 200 mm
Gewicht	14.7 kg
Gasdrehgriff	✓
Vorder- und Hinterradbremse	✓
Rücklicht	✓
Vorderlicht	✓
Leistung (maximale Ausgangsleistung)	500 Watt
Radmaterial	Gummi
Höhe der Lenkstange	1095 mm
Gesamtlänge	1028 mm
Akku	36 V / 9.6 Ah / 345 Wh
Zellen	EVE
Reichweite	40 km *
Geschwindigkeit	6 / 15 / 25 km/h **
Ladezeit	3.5 Std.
Ladestand	Anzeige auf dem Display

(*) bezogen auf Normalbedingungen (ebene Oberfläche, Temperatur von 20° Celsius, Fahrergewicht 75 kg, Sparmodus)
 (**) Entsprechend den länderspezifischen Bestimmungen kann die Höchstgeschwindigkeit auf 20 km/h begrenzt sein.

EG-KONFORMITÄTSERKLÄRUNG

Hersteller:

Micro Mobility Systems Ltd. Bahnhofstrasse 10
8700 Küsnacht
Schweiz

Bevollmächtigter für die Zusammenstellung der technischen Unterlagen:

Micro Mobility Systems Ltd. Bahnhofstrasse 10
8700 Küsnacht
Schweiz

Produkt:

Elektroroller (E-Scooter):
EM0072 - Micro Explorer S Silver 25
EM0076 - Micro Explorer S Silver 20
EM0083 - Micro Explorer S AMG

Seriennummer:
XXXXXXXXXXXX

Ladegerät:
5541 (EU), 5253 (UK), 5255 (US), 5257 (AU)

Das oben genannte Produkt erfüllt die Anforderungen der folgenden einschlägigen Richtlinien:

- Maschinenrichtlinie 2006/42/EC
- EMV-Richtlinie 2014/30/EU
- LVD-Richtlinie 2014/35/EU
- RoHS-Richtlinie 2011/65/EU

Folgende (harmonisierte) Normen wurden angewandt:

- EN ISO 12100:2010 Maschinenrichtlinie Roller
- EN61000-6-1:2019 EMV-Richtlinie Roller/Ladegerät
- EN55014-1:2017 EMV-Richtlinie Ladegerät
- EN55014-2:2015 EMV-Richtlinie Ladegerät
- EN61000-3-2:2019 EMV-Richtlinie Ladegerät
- EN61000-3-3:2013 EMV-Richtlinie Ladegerät
- EN61000-6-3:2021 EMV-Richtlinie Roller/Ladegerät
- EN60335-1:2012+A11:2014+A13:2017
+A1:2019+A14 :2019+A2 :2019 LVD-Richtlinie Roller/Ladegerät
- EN60335-2-29:2016 LVD-Richtlinie Ladegerät
- 2011/65/UE, 2015/863/UE RoHS-Richtlinie Roller/Ladegerät
- EC1907/2006 REACH Roller
- EN61558-1:2005+A1:2009 LVD-Richtlinie Ladegerät
- EN61558-2-16:2009+A1:2013 LVD-Richtlinie Ladegerät

Sonstige angewandte technische Normen und Spezifikationen:

- EN17128:2020 Tretroller – Persönliche leichte Elektrofahrzeuge (PLEV)
- EN15194:2018 Elektromotorisch unterstützte Räder – EPAC-Fahrräder
- EN62133:2012 Sicherheit von Batterien

01.07.2022 Küsnacht



GARANTIE

Folgende Garantieleistungen dürfen Sie von uns erwarten:

- Zwei Jahre Garantie auf die Rollerkomponenten: Fußbrett, gesamte vordere Baugruppe und Bremspedal. Ausgenommen sind alle Verbrauchs- und Verschleißteile sowie Kleinteile und Schrauben.
- Ein Jahr oder 300 Vollladezyklen auf den Akku (je nachdem, was zuerst eintritt). Wir garantieren eine Restkapazität von 60 % der Ursprungskapazität.
- Ein Jahr Garantie auf die elektrischen Komponenten: Motor, Display, Controller und Kabel.

Umfang der Garantieleistungen

Micro verpflichtet sich aufgrund dieser Garantie nach eigenem Ermessen während der jeweiligen Garantiefrist zu folgenden Leistungen: Reparatur oder Ersatz von Komponenten durch gleichwertige Teile, wobei Modell und/oder Farbe der Ersatzteile von den ursprünglichen abweichen kann; Serviceleistungen, die nicht unter die Garantie fallen und im Kompetenzbereich des Händlers liegen sowie die Reinigung verschmutzt gelieferter Roller werden zum üblichen Stundenansatz, einschließlich anfallender Kosten für Material und Transport, in Rechnung gestellt.

- Gewährleistungspflichtige Leistungen (Reparatur/Austausch) verlängern nicht die ursprüngliche Gewährleistungsfrist.
- Es bestehen keine weiteren Garantieansprüche.

GARANTIEBEDINGUNGEN

Die Garantie deckt keine Schäden, die zurückzuführen sind auf:

- Beschädigung nach nicht erfolgtem Nachladen des Akkus trotz bestehender Notwendigkeit.

- Beschädigung durch Lagerung, Ladung oder Gebrauch außerhalb des spezifizierten Temperaturbereichs.
- Unsachgemäßer Gebrauch, zweckfremde Anwendung oder fahrlässige Bedienung (z. B. Sprünge).
- Unsachgemäßer Eingriff durch Dritte (z. B. durch Öffnen des Trittbretts).
- Unsachgemäßes Laden (z. B. durch Laden mit einem anderen Ladegerät als das mitgelieferte).
- Überschreitung der Maximalgeschwindigkeit von 40 km/h auf Bergabfahrten.
- Technische Veränderungen am Fahrzeug, ohne Einverständnis des Herstellers.
- Nachträglicher Um-/Einbau nicht kompatibler oder nicht originaler Teile.
- Verschleißteile wie Kugellager, Gleitlager, Lagerbolzen und Lagerschrauben etc.
- Nichteinhaltung der Wartungsintervalle.
- Schäden infolge fehlender bzw. fehlerhafter Einstellung(en) oder verschlissener Komponenten.
- Konsequenzen eines Sturzes.
- Jeglicher Personen- oder Sachschaden an Drittpersonen oder Eigentum, welcher durch den Gebrauch des Rollers entsteht.
- Schäden infolge ungeeigneter Putzmittel, Utensilien wie Hochdruckreiniger oder Zusatzstoffe.
- Schäden, welche zurückzuführen sind auf Fahrlässigkeit des Benutzers im Zusammenhang mit dem Wasserschutz (der Elektroroller ist spritzwassergeschützt, nicht wasserdicht).

Salvatorische Klausel

Sollte eine Bestimmung dieser Garantie unwirksam sein oder eine zu schließende Lücke aufweisen, so bleibt die Rechtswirksamkeit der übrigen Bestimmungen davon unberührt. Anstelle der fehlenden oder unwirksamen Bestimmung gilt eine Bestimmung als vereinbart, die dem Sinn der ursprünglichen Bestimmung am nächsten kommt.

Anwendbares Recht und Gerichtsbarkeit

Für alle Streitigkeiten, die sich aus und im Zusammenhang mit dieser Garantie (auch mit Bezug auf die Frage deren Zustandekommens oder Gültigkeit) ergeben, wird als Gerichtsstand ausschließlich das Kantonalgericht Zürich vereinbart. Dieser Kaufvertrag untersteht dem Schweizer Recht unter Ausschluss des Kollisionsrechts sowie des Übereinkommens der Vereinten Nationen über den internationalen Warenkauf (UN-Kaufrecht).

MICRO-PASS

Bitte füllen Sie den micro-Pass vollständig aus und bewahren Sie diesen mit der Kaufquittung zusammen auf.

Inhaber

Vor- und Nachname

Straße / Hausnummer

Postleitzahl

Land

Roller

Seriennummer

Modell

Farbe

Radgröße

Besondere Merkmale

Kaufdatum

Händlername

Händleradresse

Kaufpreis



WARTUNGSNACHWEIS

Lassen Sie in diesem Wartungsnachweis die Unterhaltsarbeiten an Ihrem Elektroroller eintragen. Ihr Elektroroller muss einmal im Jahr oder alle 500 Kilometer von einer autorisierten Servicestelle geprüft werden.

Art des Auftrags	<input type="checkbox"/> Jahreswartung <input type="checkbox"/> Reparatur
Ausgeführt am	
Ausgeführt von	
Auftragsnummer	
Durchgeführte Arbeiten	
Gegen Bezahlung durchgeführt	
Datum, Unterschrift, Stempel	

Art des Auftrags	<input type="checkbox"/> Jahreswartung <input type="checkbox"/> Reparatur
Ausgeführt am	
Ausgeführt von	
Auftragsnummer	
Durchgeführte Arbeiten	
Gegen Bezahlung durchgeführt	
Datum, Unterschrift, Stempel	



TABLE DES MATIÈRES

1.	Composants	64
2.	Information générale	
	Traduction de la notice originale	65
	Explication des termes et symboles	66
3.	Utilisation prévue	67
4.	Instructions de sécurité	68 – 70
5.	Instructions d'utilisation	
	Identification de l'unité	71
	Usure normale	71
	Chargeur mode d'emploi	72
	Protection contre le vol	72
	Transport de la trottinette électrique	72
	Entreposage	72
	Que faire en cas de chute ou d'accident	73
	Nettoyage	73
	Réparation	73
	Instructions pour l'élimination	74
6.	Configuration initiale	
	Avant la première utilisation	75
	Avant chaque déplacement	76
7.	Opération	
	Dépliage	77
	Pliage	78
	Poignées pliables	79
	Mise en marche et arrêt de la lumière	79
	Chargement de la batterie	80
	Freins	81
	Fonctionnement de la pédale de frein	81

Fonctionnement du frein à récupération.....	82
Conduire avec la trottinette électrique.....	82
Fonctionnement du frein à main.....	82
Poignée d'accélération	83
Régulateur de vitesse	83
Programmes de conduite	83
Paramétrages des programmes de conduite	84
Explication de la fonctionnalité d'affichage.....	84

8.

Entretien

Entretien de la batterie	85
--------------------------------	----

9.

Données techniques

86

10.

Déclaration de conformité

87

11.

Garantie

Contenu des services de garantie	88
--	----

12.

Conditions de garantie

88

13.

Micro-Pass

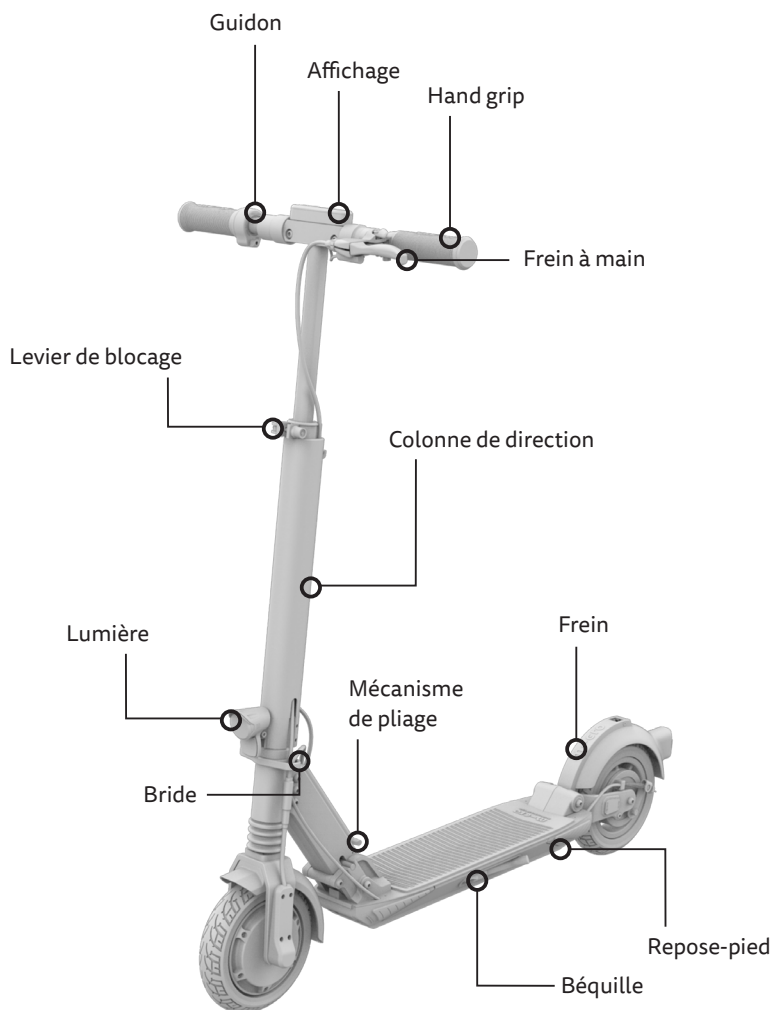
90

14.

Relevé de services

91

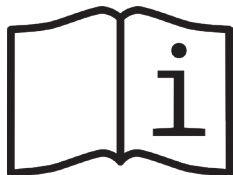
COMPOSANTS



INFORMATION GÉNÉRALE

Manuel de l'utilisateur

Avant de commencer à utiliser la trottinette électrique, veuillez prendre le temps de lire avec attention le manuel de l'utilisateur, spécialement les instructions de sécurité. Veuillez respecter les codes de la route applicables aux trottinettes électriques qui sont également applicables dans d'autres pays et qui peuvent être différents. Veuillez conserver ce manuel de l'utilisateur pour référence ultérieure. Si vous passez votre trottinette à une partie tierce, assurez-vous de lui passer également ce manuel de l'utilisateur.



Explication des termes et symboles

L'objectif des symboles de sécurité est d'attirer votre attention sur les dangers éventuels. Lisez les explications avec attention et assurez-vous que vous comprenez les symboles de sécurité. Le non-respect des instructions de sécurité peut entraîner des dommages corporels ou des dommages à des parties tierces ainsi que des dommages matériels.

Les symboles et mots de signalement suivants sont utilisés dans ce manuel d'utilisateur original, sur la trottinette électrique, ou sur l'emballage.



MISE EN GARDE

Indique un danger potentiel à **risque moyen**, qui peut résulter en des dommages corporels graves ou fatals si non respectés. Ce mot signal n'est pas utilisé pour des risques qui impliquent des dégâts purement matériels.



AVERTISSEMENT

Indique un danger potentiel à **faible risque**, qui peut résulter en des dommages corporels mineurs ou modérés si non respectés. Ce mot signal n'est pas utilisé pour des risques qui impliquent des dégâts purement matériels.



REMARQUE

Indique des informations pratiques et des conseils qui facilitent l'utilisation optimale de la trottinette électrique.

UTILISATION PRÉVUE


- La trottinette électrique est destinée exclusivement à être utilisée comme une trottinette sur des routes et chemins définis.
- La trottinette électrique est destinée au transport d'une personne.
- La trottinette électrique est conçue pour des personnes d'un poids maximum de 100 kg, et d'une taille maximum de 190 cm.
- Veuillez vous assurer que vous avez lu et compris le Code de la route de votre pays avant d'utiliser la trottinette électrique.
- La trottinette électrique n'est pas adaptée au transport de bagages ou d'enfants.
- La trottinette électrique est destinée à un usage privé uniquement et non à des fins commerciales.
- La trottinette électrique est adaptée aux personnes de plus de 16 ans.
- L'utilisation prévue comprend également la conformité avec les informations contenues dans les chapitres « Remarques sur l'utilisation » et « Entretien ».
- Utilisez la trottinette électrique uniquement de la manière décrite dans le manuel de l'utilisateur original. Tout autre type d'usage est considéré comme non conforme et peut conduire à des accidents, des dommages corporels ou des dégâts matériels.
- La puissance du moteur est de 450W. La puissance totale maximum acceptée depuis la batterie lors d'une accélération est de 500W.
- Cet appareil peut être utilisé par des enfants âgés d'au moins 12 ans et par des personnes ayant des capacités physiques, sensorielles ou mentales réduites ou dénuées d'expérience ou de connaissance, s'ils (si elles) sont correctement surveillé(e)s ou si des instructions relatives à l'utilisation de l'appareil en toute sécurité leur ont été données et si les risques encourus ont été appréhendés. Les enfants ne doivent pas jouer avec l'appareil. Le nettoyage et l'entretien par l'utilisateur ne doivent pas être effectués par des enfants sans surveillance.
- L'âge de 12 ans minimum est une exigence du décret 2019-1082.

INSTRUCTIONS DE SÉCURITÉ



MISE EN GARDE

concernant l'utilisation de la trottinette électrique

- N'utilisez pas la trottinette électrique si vous n'êtes pas complètement familier avec son opération et ses fonctions.
- La trottinette ne doit pas être utilisée par des personnes avec une capacité physique, sensorielle ou mentale limitée, ou manquant d'expérience et d'expertise.
- Les enfants ne peuvent pas utiliser, nettoyer ou entretenir la trottinette électrique.
- L'assistance additionnelle de freinage électronique (frein du moteur) peut engendrer une distance de freinage plus courte. Veuillez prendre conscience que le frein du moteur n'est pas opérationnel si...
 - La batterie est déchargée et vous conduisez uniquement avec la force de votre corps.
- Évitez de conduire à la tombée de la nuit ou dans des conditions de mauvais éclairage.
- Pour une visibilité et une sécurité maximale, toujours conduire avec les phares allumées.
- Portez toujours des équipements de protection adaptés. 
- Assurez-vous de porter un casque adapté aux motos et approuvé même s'il n'y a pas d'exigences réglementaires.
- Portez toujours des chaussures.
- Évitez les descentes abruptes, car elles peuvent conduire à des chutes.
- Faites toujours attention aux autres usagers de la route. La mauvaise conduite des autres peut conduire à des accidents et à des dommages.
- Conduisez toujours doucement et portez une attention particulière à la condition de

la route. Des conditions de routes imprévisibles, comme une chaussée glissante ou la présence de feuillage, peut conduire à un risque accru de dérapage.

- N'effectuez pas de sauts avec la trottinette et assurez-vous toujours d'éviter les nids-de-poule, les bordures et autres obstacles.
- Ne touchez pas le frein après un freinage prolongé ; il peut être chaud.
- Si la trottinette électrique est exposée à l'humidité à cause d'un temps humide ou d'un nettoyage, la moisissure peut affecter la réactivité du système de freinage. Conduisez la trottinette dans un endroit sûr pour sécher les freins après nettoyage.
- N'entreposez jamais la trottinette électrique dans des zones habitables ou près d'objets inflammables.
- Toujours tenir son guidon à deux mains avec les deux pieds sur la planche dans une position stable et confortable.
- Lors de l'utilisation de la pédale de frein arrière, utilisez un seul pied et laissez l'autre pied sur la planche pour conserver un équilibre adéquat à la manipulation de la trottinette.
- Attention aux éventuels coincements de doigts et autres parties du corps lors du pliage et du dépliage de la trottinette ainsi que lors du pliage et dépliage des poignées de la trottinette.
- L'alimentation de la trottinette doit être coupée avant toute intervention de maintenance et de réglage.



MISE EN GARDE

Équipements annexes et modifications

- Ne modifiez, ni n'installez, aucun accessoire inadéquat sur la trottinette, car cela pourrait vous mettre en danger.
- L'utilisation d'accessoires non autorisés peut entraîner des blessures graves ou des dommages sur la trottinette électrique.
- Il est interdit de « customiser » ou de « tuner » la trottinette électrique.
- N'accrochez pas des éléments comme des sacs sur le guidon, car cela aura un effet négatif sur les caractéristiques de maniabilité.



MISE EN GARDE

Concernant l'utilisation de la batterie

- Assurez-vous de charger la batterie avec le chargeur livré avec la trottinette et uniquement à des températures situées entre 5° et 25° Celsius.
- Respectez les instructions de sécurité concernant la batterie.
- Ne chargez jamais la batterie sans surveillance.
- Lorsque vous chargez la batterie, assurez-vous que le branchement est correctement effectué, que la ventilation est adéquate et l'environnement sec.
- Ne mettez jamais en contact avec l'eau le chargeur, les câbles de secteur et les câbles de connexions, car cela peut provoquer une décharge électrique. Ne touchez pas la batterie et le chargeur avec des mains mouillées.
- Contrôlez la fiche de connexion et le chargeur à intervalles réguliers. Si vous constatez un dommage quelconque, faites-les remplacer.
- Entreposez toujours la batterie à des températures situées entre 5° et 25° Celsius.
- Gardez toujours la batterie hors de portée des enfants et des animaux.
- Toute réparation ou entretien de la batterie ou du chargeur doit être effectué par un spécialiste.



MISE EN GARDE

pour l'installation, l'entretien et la réparation

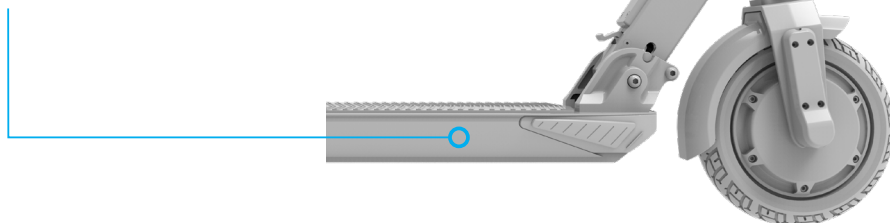
- Un serrage incorrect des vis peut entraîner la fatigue des matériaux. Le métal des vis perd de sa solidité lorsqu'elles sont sujettes à une contrainte excessive et peut casser. Cela augmente le risque d'accidents et de blessures. Utilisez toujours une clé dynamométrique pour serrer les vis.
- Consultez toujours un spécialiste pour les réparations du système de transmission.

INSTRUCTIONS D'UTILISATION

Identification de l'unité

- Le numéro de série se trouve sur le côté avant droit de la platine.

XXXXXXXXXXXX



- Plus d'informations sur votre trottinette sont disponibles sur l'étiquette adhésive collée sur votre trottinette.

Usure

L'utilisation de la trottinette électrique entraîne un phénomène naturel d'usure. Pour vous assurer de conduire en toute sécurité, veuillez lire le chapitre « Maintenance », respectez les intervalles de fréquence d'entretien et faites-les enregistrer sur le relevé de services par un centre de services autorisé. De plus, respectez les instructions de la section « Avant chaque déplacement », chaque fois que vous démarrez votre trottinette électrique.

Instructions concernant l'utilisation de la batterie

La batterie lithium-ion intégrée est un produit de haute technologie qui fournit d'excellentes performances s'il est manipulé et entretenu avec soin. Veuillez lire et suivre la section « Chargement de la batterie » du chapitre « Opération » et les instructions concernant « l'entretien de la batterie » dans le chapitre « Entretien »

Protection contre le vol

Assurez-vous de ne jamais laisser votre trottinette électrique sans surveillance, et protégez-la toujours des voleurs avec un cadenas adapté. Utilisez un cadenas de vélo disponible sur le marché pour sécuriser la trottinette électrique au niveau de la roue arrière.

Transport de la trottinette électrique

Les batteries sont sujettes à la législation sur les marchandises dangereuses. Des contraintes spécifiques d'emballage et d'étiquetage s'appliquent concernant le transport par une partie tierce (par exemple fret aérien ou service de livraison). Dans le cas d'une cargaison, veuillez contacter un expert en marchandises dangereuses. Ne transportez pas de batteries endommagées.

Exigences en matière de déplacements: Veuillez vérifier auprès de votre compagnie aérienne et des lois locales.

Entreposage

Ne laissez pas votre trottinette en plein soleil ou dans un environnement froid durant des périodes de temps longs. La température d'entreposage idéale pour votre trottinette et sa batterie est située entre 15 et 20 °C. N'entrez pas votre trottinette dans des zones habitables, mais dans le garage.

Que faire après une chute ou un accident

Après une chute ou un accident, amenez votre trottinette électrique dans un centre de service autorisé et faites-la inspecter pour vérifier si elle a subi des dommages quelconques.

Nettoyage

Pour empêcher la corrosion des vis et une usure inutile, il est conseillé de nettoyer complètement et de sécher l'unité tous les trois mois et après chaque déplacement sous la pluie. Après le nettoyage, rincer la trottinette avec de l'eau propre pour enlever toute trace de l'agent nettoyant utilisé. Ensuite, séchez la trottinette avec un tissu.



REMARQUE

Utilisez des agents nettoyants spécifiques et des produits d'entretien à cet appareil ainsi qu'une éponge douce. N'utilisez jamais de solvants pour le nettoyage et évitez de nettoyer la trottinette directement à l'eau courante.

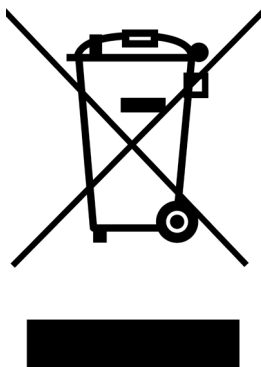
Réparation

Toutes les réparations ont-elles été effectuées par un distributeur autorisé ou par un centre de service agréé. N'effectuez aucune réparation des composants électriques vous-même. Seul un spécialiste peut ouvrir des compartiments comprenant des composants électriques intégrés.

Instructions pour l'élimination

Faites attention à l'environnement lors de son élimination et respectez les instructions suivantes :

- Débarrassez-vous de la trottinette et de ses composants associés (par exemple la batterie) uniquement dans un service de collecte agréé ou dans un établissement d'élimination des déchets de la collectivité.
- Respectez les réglementations en vigueur. En cas de doute, consultez votre établissement de collecte des déchets pour une élimination respectueuse de l'environnement. Les batteries et les appareils électriques ne doivent pas être éliminés de la même façon que les déchets ménagers !



CONFIGURATION INITIALE

Avant d'utiliser pour la première fois

- Vérifier le contenu de la livraison:
 - Trottinette, Câble d'alimentation et de charge, manuel d'utilisateur
- Le micro-Pass se trouve à la fin de ce manuel de l'utilisateur. Remplissez entièrement le micro-Pass et entreposez-le avec la facture d'achat. Le micro-Pass permet de traiter sans heurt les problèmes de réparation et de garantie.
- La batterie est uniquement partiellement chargée à la livraison. Avant de l'utiliser pour la première fois, chargez la batterie en utilisant le chargeur fourni.

Avant chaque déplacement

La trottinette électrique doit être inspectée pour vérifier sa capacité à fonctionner correctement avant chaque déplacement. Le véhicule est fourni par le fabricant complètement prêt à être utilisé. Parce que des défauts pouvant potentiellement entraîner des dysfonctionnements du véhicule peuvent aussi bien se produire pendant le transport que quand le véhicule est à l'arrêt, veuillez toujours prêter attention aux points suivants avant utilisation pour la première fois et avant chaque déplacement :

Élément du test	Contenu du test
Lumières	Est ce que les lumières sont allumées?
Condition générale	Toutes les vis sont-elles fermement serrées et tous les composants sont-ils bien fixés ?
Freins	Les freins sont-ils correctement enclenchés et entièrement fonctionnels ?
Mécanisme de pliage	Le mécanisme de pliage est-il proprement emboîté et le levier de blocage abaissé et serré fermement ?
État de charge de la batterie	Est-ce que la batterie est suffisamment chargée ?
Mode de conduite en cours	Quel mode de conduite est actuellement défini ?
Micro App	Télécharger l'application "Micro Mobility" pour Android ou iOS

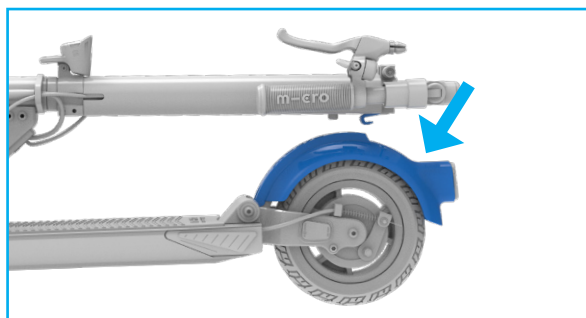
Il est impératif de vérifier avant chaque usage l'usure des pneus et le serrage des vis.

OPÉRATION

Dépliage

Votre trottinette électrique est fourni pliée. En quelques étapes simples, il est déplié et prêt à être conduit. Le texte suivant explique comment déplier la trottinette.

1. Appuyez sur la pédale de frein arrière pour libérer le crochet du tube avant.

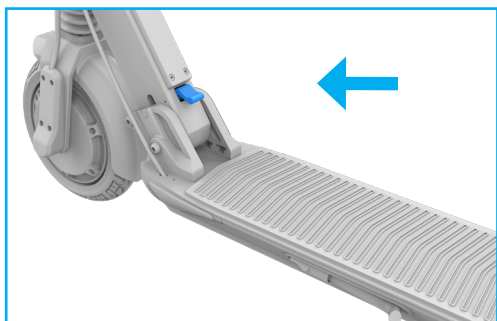


2. Tirez sur le tube avant jusqu'à ce que vous entendiez un déclic. Le boulon qui se trouve sur le bloc de pliage est actuellement correctement positionné en place.



Pliage

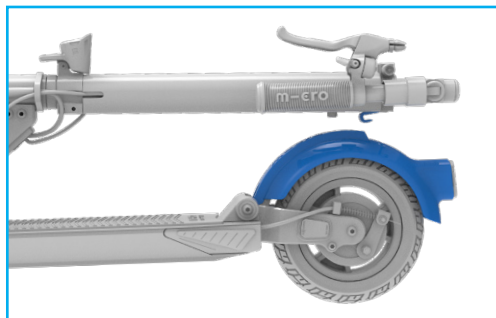
1. Pour replier votre trottinette, poussez le levier bleu vers le bas avec le pied **tout en exerçant une pression sur le guidon dans le sens de la marche.**



2. Cette trottinette dispose d'une béquille latérale. À l'arrêt, vous pouvez utiliser la béquille latérale ou plier partiellement la trottinette.

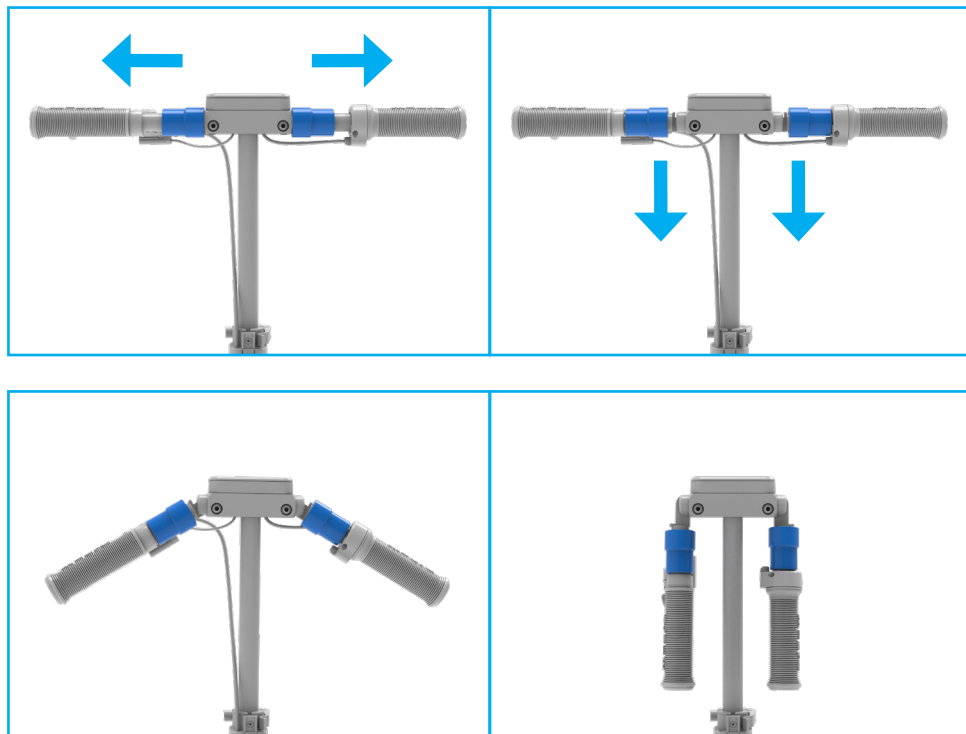


3. Cliquer le crochet sur le tube vertical dans la pédale de frein arrière



Poignées pliables

Vous pouvez plier les poignées des trottinettes afin de le ranger de façon compacte. Pour ce faire, il suffit de tirer les poignées horizontalement et de les rabattre vers le bas. Pour les déplier, il suffit de les pousser légèrement vers le haut et ils s'enclenchent automatiquement.



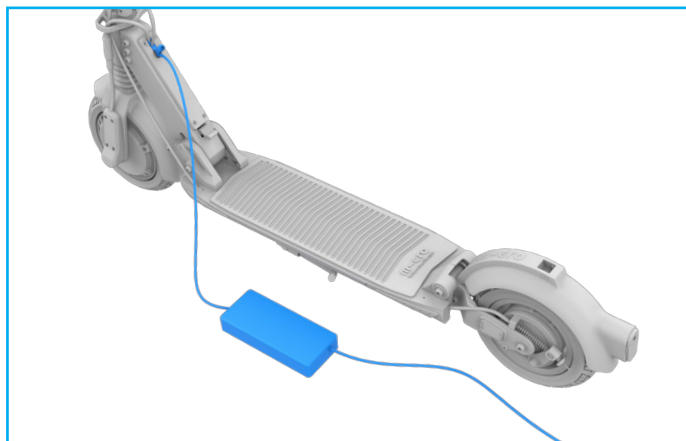
Allumer ou éteindre la lumière

- Pour allumer / éteindre la lumière, appuyez rapidement sur le bouton de la lumière (le deuxième bouton à droite de l'écran).

Chargement de la batterie

Ce qui suit décrit le processus de recharge :

- Brancher la trottinette électrique au chargeur.
- Branchez le chargeur à une prise électrique. Vous pouvez voir que le chargeur et la trottinette sont connectés correctement quand la DEL du bloc d'alimentation passe au rouge (cela peut prendre quelques secondes).
- Lorsque la trottinette est entièrement chargée, LED du chargeur devient vert.



- Seul les chargeurs Micro sont adaptés pour recharger les trottinettes électriques Micro.
- Pour une meilleure étanchéité, veiller à bien refermer le cache de protection du connecteur de charge après chaque utilisation.

 : charger ref.: 5541 (EU), 5253 (UK), 5255 (US), 5257 (AU)



MISE EN GARDE

Les batteries installées sont des batteries lithium-ion rechargeables. Ne rechargez jamais des batteries qui ne sont pas destinées à être rechargées.

Freins

Dans la mesure du possible, utilisez plusieurs freins en même temps pendant le freinage.

Changez de freins pendant une longue descente pour éviter une surchauffe.

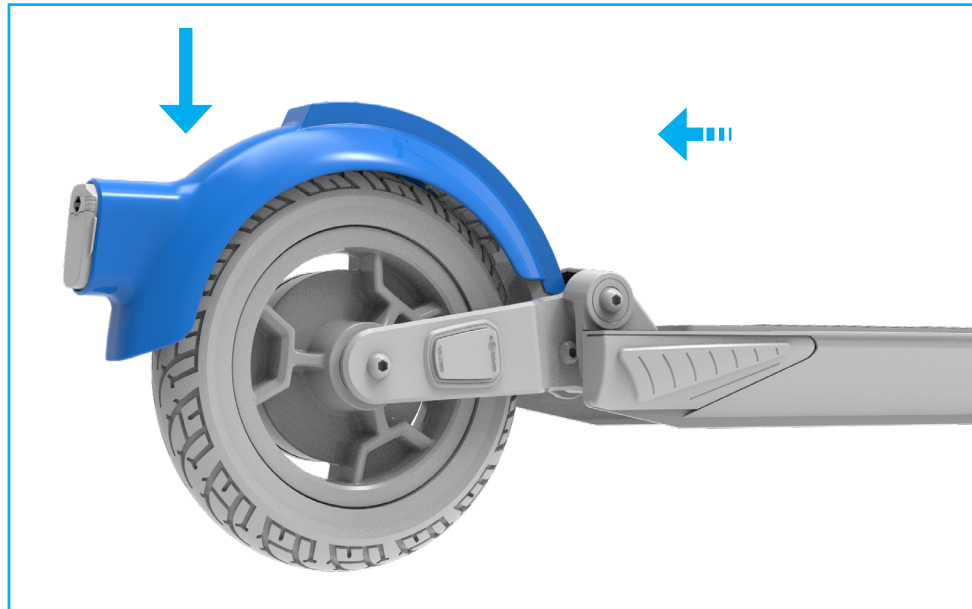


MISE EN GARDE

Sur routes humides la distance de freinage est plus grande. Soyez prudent et réduisez la vitesse sur routes glissantes ou inégales.

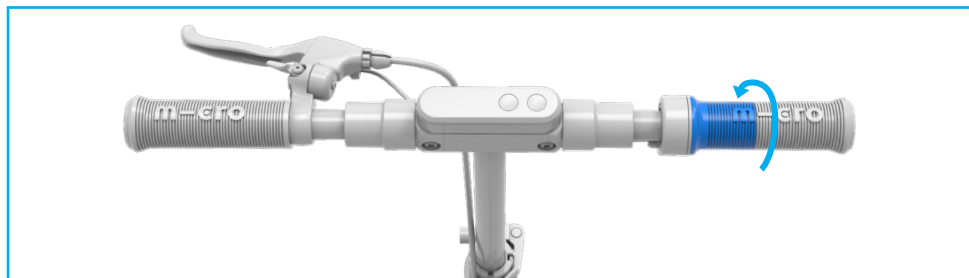
Fonctionnement de la pédale de frein

Pendant le freinage, déplacer votre corps pour que le centre de gravité pointe vers la roue arrière afin d'obtenir la meilleure puissance de freinage. Le déplacement de votre corps vers l'arrière / vers le bas réduit considérablement la distance de freinage. L'utilisation de la pédale de frein active automatiquement le frein moteur.



Fonctionnement du frein à récupération

Pour activer le frein à récupération (frein moteur), tournez la poignée d'accélération depuis la position zéro dans le sens du déplacement. Vous ressentirez immédiatement le frein du moteur électrique.



Conduite avec la trottinette électrique



MISE EN GARDE

Conduisez lentement pour vous accoutumer à la nouvelle sensation de conduite, spécialement quand vous conduisez pour la première fois. Soyez toujours conscient que le déplacement à des vitesses plus élevées sur une trottinette électrique entrainera également une distance de freinage plus grande.

Fonctionnement du frein à main

Pour activer le frein à main (frein à tambour de la roue arrière), appuyez sur la poignée de frein à gauche. L'utilisation du frein à main active également le frein moteur automatiquement.



Poignée d'accélération

La trottinette électrique est équipée d'une poignée d'accélération (côté droit) pour régler la vitesse. Pour commencer, déplacer du sol à l'aide de votre pied ensuite tournez la poignée vers le corps pour accélérer le scooter. pour accélérer la trottinette.



Programmes de conduite

Votre trottinette électrique a plusieurs programmes de conduite prédéfinis. Par exemple, le mode Éco vous donne la possibilité de voyager sur de longues distances confortablement tandis que le mode Sport vous permet de grimper des montagnes rapidement.

Programme de conduite	Indication du programme sur l'affichage	Vitesse maximale*
Mode Piéton	1.	6 km/h
Mode Éco	2.	15 km/h
Mode Standard	3.	20 km/h
Mode Sport	4.	25 km/h

* Selon les réglementations nationales, la vitesse maximale peut être limitée à 20 km / h.



REMARQUE

La trottinette électrique n'est pas approuvée pour une utilisation générale sur les voies publiques. Veuillez noter que chaque pays a des réglementations et des restrictions pour les véhicules électriques dans le trafic routier (spécialement en termes de vitesse maximale, puissance et routes autorisées). Veuillez vous informer sur les directives applicables pour votre pays en personne et en détail.

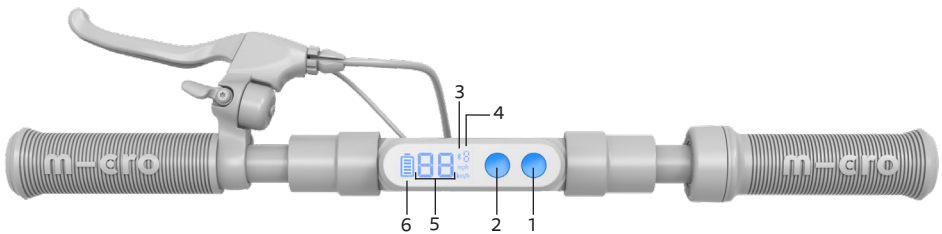
Réglage des programmes de conduite

Vous pouvez passer d'un programme à l'autre en cliquant sur le bouton marche / arrêt et sélection du mode.

Interface d'affichage et fonctions

Les illustrations suivantes présentent les différentes positions.

- Le chiffre (1-3) en haut de l'écran indique le mode de conduite sélectionné.
- Les grands numéros à gauche indiquent la vitesse actuelle.
- L'icône de batterie sur la gauche affiche l'état de charge actuel de votre batterie.



- | | |
|--|---|
| 1. Bouton ON/OFF & Sélection du mode: <ul style="list-style-type: none">- ON/OFF: Appuyez pendant 3 secondes- Mode (1-4): appuyez rapidement | 3. Connectivité avec l'application |
| 2. Bouton de la lumière: <ul style="list-style-type: none">- Lumière ON/OFF: appuyez rapidement | 4. Mode (1-4) |
| | 5. Vitesse |
| | 6. Niveau de la batterie |

ENTRETIEN

Pour assurer une longue durée d'utilisation de votre trottinette électrique, il est nécessaire d'apporter la trottinette pour un entretien une fois par an ou tous les 500 kilomètres (selon le premier qui survient) à un revendeur agréé ou à un centre d'entretien agréé. Fournissez au centre d'entretien le livret d'entretien et assurez vous que l'entretien a bien été saisi correctement.

- Nous vous recommandons de bien entretenir vos roulements avec un lubrifiant adapté pour une glisse parfaite et en toute sécurité.
- Le frein tambour doit être vérifié régulièrement et sa tension réglée pour un usage en toute sécurité.
- Tout entretien et réparation doit se faire avec les pièces d'origine fournies par Micro Mobility.



REMARQUE

Après les 5 premières heures d'utilisation de la trottinette électrique, vérifiez que toutes les vis sont serrées et, si nécessaire, resserrez toute vis déserrée.

Entretien de la batterie

Suivez les instructions d'entretien pour assurer une longue durée de vie à votre batterie.

- Stockez les batteries à une température comprise entre 5° et 25° Celsius.
- Chargez complètement la batterie immédiatement après l'achat.
- Chargez complètement la batterie tous les trois mois si la trottinette n'est pas utilisée.
- La batterie a besoin d'être rechargée dans les trois jours après qu'elle ait été complètement déchargée.



REMARQUE

Un dégât résultant du non respect des instructions d'entretien ci-dessus n'est pas couvert par les réclamations au titre de la garantie.

DONNÉES TECHNIQUES

	Micro Explorer S
Numéro article	EM0072, EM0076, EM0083
Taille roue (avant/arrière)	200 / 200 mm
Poids	14.7 kg
Poignée d'accélération	✓
Frein de la roue avant et arrière	✓
Lumière arrière	✓
Lumière avant	✓
Puissance max.	500 Watt
Matériau de roue	Caoutchouc
Hauteur du guidon	1095 mm
Longueur totale	1028 mm
Batterie	36 V / 9.6 Ah / 345 Wh
Cellules	EVE
Distance	40 km *
Vitesse	6 / 15 / 25 km/h **
Temps de Recharge	3.5 h
Indications de charge	Indication sur l'affichage

(*) autonomie basée sur des conditions normales (surface plane, température de 20° Celsius, poids du conducteur de 75 kg, mode Eco)

(**) Selon les réglementations nationales, la vitesse maximale peut être limitée à 20 km / h.

DÉCLARATION DE CONFORMITÉ UE

Fabricant :	Micro Mobility Systems Ltd. Bahnhofstrasse 10 8700 Küsnacht Suisse
Mandataire pour la mise à disposition de la documentation technique	Micro Mobility Systems Ltd. Bahnhofstrasse 10 8700 Küsnacht Suisse
Produit ;	Trottinette électrique (E-trottinette) EM0072 - Micro Explorer S Silver 25 EM0076 - Micro Explorer S Silver 20 EM0083 - Micro Explorer S AMG Numéro de série : XXXXXXXXXXXX Chargeur : 5541 (EU), 5253 (UK), 5255 (US), 5257 (AU)

Le produit ci-dessus est conforme aux directives suivantes :

- Directive sur les machines 2006/42/CE
- Directive CEM 2014/30/UE
- Directive LVD 2014/35/UE
- RoHS-Directive 2011/65/UE

Les normes suivantes (harmonisées) ont été appliqué lors de l'inspection

- | | | |
|---|----------------------------|----------------------|
| ● EN ISO 12100:2010 | Directive sur les machines | Trottinette |
| ● EN61000-6-1:2019 | CEM | Trottinette/Chargeur |
| ● EN55014-1:2017 | CEM | Chargeur |
| ● EN55014-2:2015 | CEM | Chargeur |
| ● EN61000-3-2:2019 | CEM | Chargeur |
| ● EN61000-3-3:2013 | CEM | Chargeur |
| ● EN61000-6-3:2012 | CEM | Trottinette/Chargeur |
| ● EN60335-1:2012+A11:2014+A13:2017
+A1:2019+A14 :2019+A2 :2019 | LVD | Trottinette/Chargeur |
| ● EN60335-2-29:2016 | LVD | Chargeur |
| ● 2011/65/UE, 2015/863/UE | RoHS | Trottinette/Chargeur |
| ● CE1907/2006 | REACH | Trottinette |
| ● EN61558-1:2005+A1:2009 | LVD | Chargeur |
| ● EN61558-2-16:2009+A1:2013 | LVD | Chargeur |

Autres normes techniques et caractéristiques techniques appliquées :

- EN17128:2020 Trottinette – Véhicules électriques personnels légers (PLEV)
- EN15194:2018 Cycles – Bicyclettes EPAC
- EN62133:2012 Batterie

01.07.2022 Küsnacht



Wim Ouboter, CEO

GARANTIE

Le service de garantie suivante peut être attendu :

- Garantie de 2 ans sur les composants de la trottinette : Pédale, ensemble avant complet et pédale de frein. Toutes les pièces d'usure, petites pièces et vis sont exclus de cette garantie.
- Un an de garantie sur la batterie ou 300 cycles de charge complètes (selon le premier qui survient). Nous garantissons une capacité restante de 60 % de la capacité d'origine.
- Garantie d'un an sur les composants électriques : Moteur, afficheur, contrôleur et câble.

Portée des services de garantie

Sur la base de cette garantie, Micro s'engage sur les services suivants pendant les périodes de garantie respectives : à la discrétion de Micro, réparer ou remplacer par des composants / parties équivalentes ou le remplacement peut varier par rapport à l'original en termes de modèle ou de couleur ; les services qui n'entrent pas sous la garantie et qui sont couverts par l'ensemble des compétences du revendeur, ainsi que le nettoyage des trottinettes livrées dans un état malpropre, seront facturés au taux horaire standard incluant tous les coûts encourus pour les matériaux et le transport.

- Tout service rendu sous garantie (réparation/remplacement) n'étend pas la garantie originelle.
- Toute réclamation autre que celles mentionnées ci-dessus ne s'applique pas.

TERMES ET CONDITIONS DE GARANTIE

La garantie ne couvre pas le dommage causé par ce qui suit :

- Dommage causé par la non recharge de la batterie quand c'est requis.

- Dommage causé par le stockage, recharge l'utilisation en dehors de la plage de températures spécifiée.
- Utilisation inappropriée, application inappropriée ou opération inadéquate (ex. sauts).
- Modification inappropriée par une tierce partie (ex. En ouvrant le repose-pieds).
- Recharge inappropriée (ex. En chargeant avec un chargeur différent de celui fourni).
- En dépassant la vitesse maximale de 40 km/h en descente.
- Des modifications techniques de la trottinette sans l'accord du fabricant.
- Conséquence à la conversion/installation de parties non compatibles et non d'origines.
- Pièces d'usure comme des roulements à billes, paliers coulissants, boulons de palier et vis de paliers, etc.
- Non respect des intervalles d'entretien.
- Dommage causé par un ou plusieurs paramètres manquants ou incorrects ou des composants usagés.
- Conséquences d'une chute.
- Tout dommage personnel ou matériel à des tiers résultant de l'utilisation de la trottinette.
- Dommage résultant d'agents de nettoyage inadéquats, d'ustensiles comme des nettoyeurs haute pression ou d'additifs utilisés.
- Dommages causés par une négligence de l'utilisateur conjointement avec la protection à l'eau (la trottinette électrique est résistante aux éclaboussures mais n'est pas étanche).

Clause de sauvegarde

Au cas où une disposition de cette garantie est ou devient invalide, ou contient une lacune qui doit être comblée, cela n'affectera pas l'efficacité des autres dispositions. La disposition manquante ou invalide devra être remplacée avec une disposition qui se rapproche le plus possible de l'intention et du but de la disposition d'origine.

Droit applicable et juridiction

Dans le cas de tous différents résultant de cette garantie (également en ce qui concerne son existence ou sa validité), il est convenu que le lieu exclusif du procès doit être la Cour du Canton de Zurich. Ce contrat d'achat est soumis à la Loi Suisse avec l'exclusion des lois sur les conflits, et l'exclusion de la Convention des Nations Unies sur les Contrats pour les Ventes Internationales de Marchandises (Convention des Nations Unies sur les Ventes).

MICRO-PASS

Remplissez entièrement le micro-pass et conservez le avec le reçu d'achat.

Propriétaire

Nom et prénom

Rue / N°

Code postal

Pays

Trottinette

Numéro de série

Modèle

Couleur

Taille de roue

Caractéristiques spéciales

Date d'achat

Nom du vendeur

Adresse du vendeur

Prix d'achat



RELEVÉ DE SERVICES

Tout entretien de la trottinette électrique doit être enregistré dans le livret d'entretien. Votre trottinette électrique doit être vérifiée par un centre d'entretien agréé une fois par an ou tous les 500 kilomètres.

Type de commande	<input type="checkbox"/> Entretien annuel <input type="checkbox"/> Réparation
Date de réalisation	
Réalisé par	
Numéro de commande	
Travaux réalisés	
Effectué contre paiement	
Date, signature, timbre	

Type de commande	<input type="checkbox"/> Entretien annuel <input type="checkbox"/> Réparation
Date de réalisation	
Réalisé par	
Numéro de commande	
Travaux réalisés	
Effectué contre paiement	
Date, signature, timbre	



INHOUD

1.	Onderdelen	94
2.	Algemene informatie	
	Vertaling van de oorspronkelijke gebruiksaanwijzing.....	95
	Uitleg van termen en symbolen	96
3.	Bedoeld gebruik	97
4.	Veiligheidsinstructies	98 – 100
5.	Gebruiksaanwijzing	
	Eenheid identificatie.....	101
	Slijtage.....	101
	Batterij-instructies voor gebruik	102
	Bescherming tegen diefstal.....	102
	Vervoer van de elektrische scooter	102
	Opbergen	102
	Wat te doen na een val of ongeval.....	103
	Schoonmaak.....	103
	Reparatie.....	103
	Instructies voor verwijdering	104
6.	Initiële setup	
	Voordat u het apparaat voor de eerste keer gebruikt	105
	Voor elke trip.....	106
7.	Werking	
	Uitvouwen	107
	Vouwen	108
	Opvouwbaar handgrepen	109
	Licht aan- en uitschakelen	109
	De batterij opladen	110
	Remmen	111
	Bediening van de voetrem	111

De regeneratieve rem bedienen	112
Rijden met de elektrische scooter	112
De handrem bedienen	112
Gashendel.....	113
Cruise controle	113
Rijprogramma's	113
De rijprogramma's instellen	114
Display functionaliteit uitgelegd	114

8.

Onderhoud

Batterij onderhoud	115
--------------------------	-----

9.

Technische gegevens

116

10.

Conformiteitsverklaring

117

11.

Garantie

Omvang van de garantiediensten	118
--------------------------------------	-----

12.

Garantievoorwaarden

118

13.

Micro-Pass

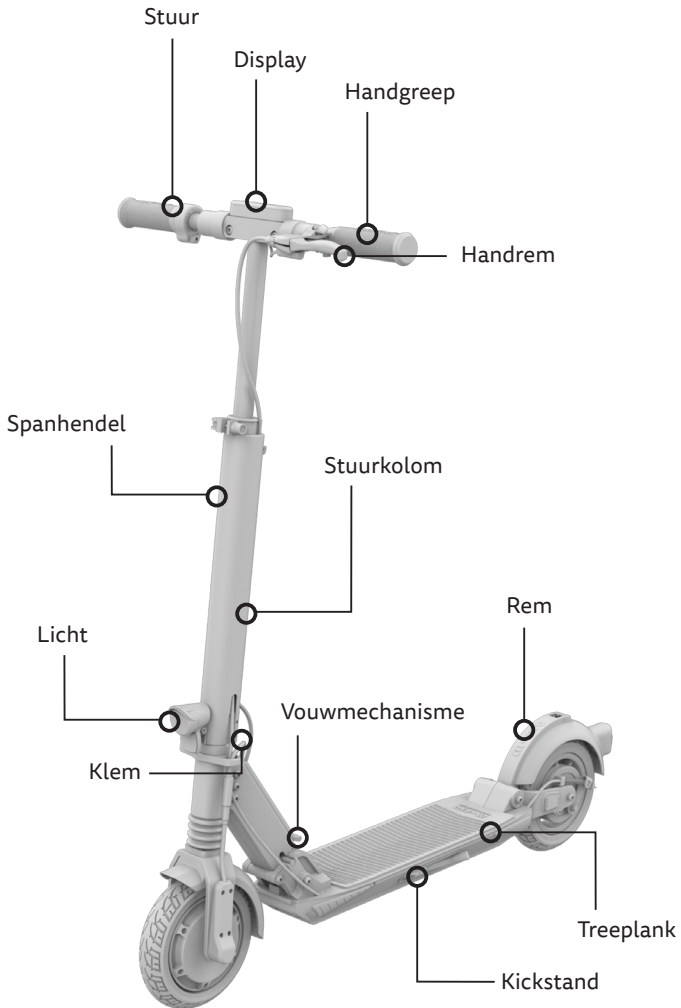
120

14.

Service record

121

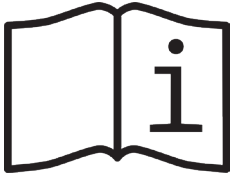
ONDERDELEN



ALGEMENE INFORMATIE

Gebruikershandleiding

Voordat u de elektrische scooter begint te gebruiken, neem de tijd om de gebruiksaanwijzing zorgvuldig te lezen, met name de veiligheidsinstructies. Houd rekening met de verkeersregels voor het rijden met elektrische scooters die ook in andere landen van toepassing zijn en die kunnen verschillen. Bewaar deze gebruiksaanwijzing voor toekomstige verwijzing. Als u de elektrische scooter overdraagt aan een derde, moet u deze gebruiksaanwijzing doorgeven.



Uitleg van termen en symbolen

Het doel van de beveiligingssymbolen is om uw aandacht te vestigen op mogelijke gevaren. Lees de toelichtingen zorgvuldig en zorg ervoor dat u de beveiligingssymbolen begrijpt. Niet-naleving van de veiligheidsinstructies kan leiden tot persoonlijk letsel of letsel van derden, alsmede schade aan eigendommen.

De volgende symbolen en signaalwoorden worden gebruikt in deze originele gebruiksaanwijzing, op de elektrische scooter of op de verpakking:



WAARSCHUWING

Duidt op een mogelijk **risico van het medium**, dat kan leiden tot ernstig of fataal lichamelijk letsel, indien niet waargenomen. Dit signaalwoord wordt niet gebruikt voor risico's die uitsluitend materiële schade omvatten.



LET OP!

Duidt op een mogelijk **laag risico**, dat kan leiden tot minder of gematigd lichamelijk letsel, indien niet waargenomen. Dit signaalwoord wordt niet gebruikt voor risico's die uitsluitend materiële schade omvatten.



OPMERKING

Geeft praktische informatie en tips, die een optimaal gebruik van de elektrische scooter mogelijk maken.

BEDOELD GEBRUIK

- De elektrische scooter is uitsluitend bedoeld als scooter op bepaalde wegen en paden.
- De elektrische scooter is bedoeld voor het vervoer van één persoon.
- De elektrische scooter is ontworpen voor personen met een maximumgewicht van 100 kg en een maximale lengte van 190 cm.
- Zorg ervoor dat u de verkeersregels van uw land hebt gelezen en begrepen voordat u de scooter gebruikt.
- De elektrische scooter is niet geschikt voor het vervoer van bagage of kinderen.
- De elektrische scooter is alleen voor privégebruik en niet voor commerciële doeleinden.
- De elektrische scooter is geschikt voor personen boven de 16 jaar.
- Het bedoelde gebruik omvat ook de naleving van de informatie in de hoofdstukken 'Notities over gebruik' en 'Onderhoud'.
- Gebruik de elektrische scooter alleen zoals beschreven in de originele gebruiksaanwijzing. Elk ander type gebruik wordt beschouwd als niet-conform en kan leiden tot ongelukken, persoonlijk letsel of eigendomsschade.
- Het motorvermogen is 450W. Het maximale totale vermogen dat tijdens de acceleratie van de accu wordt geaccepteerd is 500W.

VEILIGHEIDSINSTRUCTIES



WAARSCHUWING

voor het gebruik van de elektrische scooter

- Gebruik de elektrische scooter niet als u niet helemaal bekend bent met de werking en de functies ervan.
- De scooter mag niet worden gebruikt door personen met beperkte lichamelijke, zintuiglijke of mentale capaciteit, of bij gebrek aan ervaring en expertise.
- Kinderen mogen de elektrische scooter niet gebruiken, reinigen of onderhouden.
- De extra elektronische remhulp (motorrem) kan leiden tot een kortere remafstand. Let op dat de motorrem niet wordt ondersteund als ...
 - de batterij leeg is en u rijdt alleen op eigen kracht.
- Vermijd rijden bij zonsondergang of in slecht verlichte omstandigheden.
- Voor een optimale zichtbaarheid en veiligheid altijd rijden met de lichten ingeschakeld.
- Draag altijd geschikte beschermende uitrusting. 
- Zorg ervoor dat u een goedgekeurde, gemonteerde fietshelm draagt, ook als er geen wettelijke vereisten zijn.
- Draag altijd schoenen.
- Vermijd steile afdalingen, aangezien ze tot een val kunnen leiden.
- Let altijd op andere weggebruikers. Het wangedrag van anderen kan leiden tot ongevallen en letsels.
- Rijd altijd voorzichtig en let in het bijzonder op de toestand van de weg. Onvoorspelbare wegomstandigheden, zoals gladheid of bladeren, kunnen leiden tot een verhoogd risico op slippen.

- Spring niet met de scooter en let op gaten in het wegdek, bochten en andere obstakels.
- Raak de rem niet aan na langdurig remmen want die kan warm zijn.
- Als de elektrische scooter wordt blootgesteld aan natheid door nat weer of reiniging, kan het vocht de reactie van het remsysteem beïnvloeden. Rijd met de scooter op een veilige plaats om de remmen na het schoonmaken te drogen.
- Bewaar de elektrische scooter nooit in woonruimten of in de buurt van brandbare voorwerpen.
- Houd uw stuur altijd met beide handen met beide voeten op de plank in een stabiele en comfortabele positie.
- Gebruik bij het gebruik van het achterrempedaal slechts één voet en laat de andere voet op de plank staan om het juiste evenwicht te bewaren bij het hanteren van de scooter.
- Pas op voor ingesloten vingers en andere lichaamsdelen bij het in- en uitvouwen van de scooter en bij het in- en uitvouwen van de handgrepen van de scooter.
- De stroomtoevoer naar de scooter moet worden uitgeschakeld voordat er onderhoud of afstelwerkzaamheden worden uitgevoerd.



WAARSCHUWING

voor accessoires en wijzigingen

- Wijzig de elektrische scooter niet of installeer geen onjuiste accessoires, aangezien dit uw veiligheid in gevaar brengt.
- Het gebruik van onbevoegde accessoires kan leiden tot ernstig letsel of schade aan de elektrische scooter.
- 'Aanpassing' of 'Tuning' van de elektrische scooter is verboden.
- Hang geen items zoals zakken aan de stuurhendel, omdat dit de werkingskarakteristieken aantast.



WAARSCHUWING

Voor het gebruik van de batterij

- Zorg ervoor dat u de batterij alleen met de meegeleverde oplader oplaadt en alleen bij temperaturen tussen 5 ° en 25 °C.
- Volg de veiligheidsinstructies op de batterij.
- Laad nooit de batterij onbewaakt achter bij het opladen.
- Zorg ervoor bij het opladen van de batterij dat u de juiste stekkerverbinding, voldoende ventilatie en een droge omgeving garandeert.
- Breng nooit de lader, het netsnoer en de aansluitkabels in aanraking met water, omdat dit een elektrische schok kan veroorzaken. Raak de batterij en de lader niet aan met natte handen.
- Controleer de aansluitstekker en de lader regel. Als er schade is, moet u ze vervangen.
- Bewaar de batterij altijd bij temperaturen tussen 5 ° en 25 °C.
- Houd de batterij te allen tijde buiten bereik van kinderen en dieren.
- Elke reparatie en onderhoud van de batterij of lader moet door een specialist worden uitgevoerd.



WAARSCHUWING

Voor installatie, onderhoud en reparatie

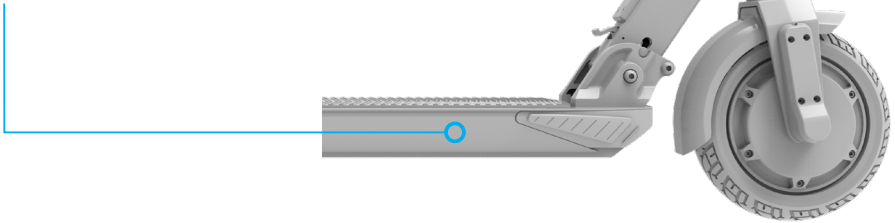
- Verkeerde aandraaien van schroeven kan leiden tot materiële vermoeidheid. Schroeven worden zacht als ze te veel spanning ondergaan en kunnen scheuren. Dit verhoogt het risico op ongelukken en letsels. Gebruik altijd een momentsleutel om de schroeven vast te draaien.
- Raadpleeg altijd een specialist voor reparaties aan het aandrijfsysteem.

GEBRUIKSAANWIJZING

Eenheid identificatie

- Het serienummer bevindt zich aan de rechterkant van het deck.

XXXXXXXXXXXX



- Meer informatie over uw scooter is te vinden op het etiket dat op de scooter is geplakt.

Slijtage

Het gebruik van de elektrische scooter resulteert in een natuurlijk slijtageproces. Om te allen tijde veilig te rijden, lees het hoofdstuk 'Onderhoud', let op de onderhoudsintervallen en laat ze door een erkend servicecentrum in het service record worden opgenomen. Volg verder de instructies in de sectie 'Voor elke trip', telkens als u uw elektrische scooter opstart.

Batterij-instructies voor gebruik

De ingebouwde lithium-ion batterij is een high-tech product dat uitstekende prestaties biedt met een goede behandeling en onderhoud. Lees en volg de paragraaf 'Batterij opladen' in het hoofdstuk 'Bediening' en de instructies voor 'Batterij onderhoud' in het hoofdstuk 'Onderhoud'.

Bescherming tegen diefstal

Zorg ervoor dat u nooit uw elektrische scooter onbewaakt achterlaat, en bescherm hem altijd tegen diefstal met een passend slot. Gebruik een in de handel verkrijgbaar fietsslot om de elektrische scooter in de buurt van het achterwiel vast te zetten.

Vervoer van de elektrische scooter

De batterijen zijn onderworpen aan de wetgeving voor gevaarlijke goederen. Bijzondere verpakkings- en etiketteringsvoorschriften zijn van toepassing op transport door derden (bijv. Luchtvracht of koerierdienst). Bij verzending, gelieve contact op te nemen met een deskundige voor gevaarlijke goederen. Vervoer of verzend beschadigde batterijen niet.

Reisvereisten: Neem contact op met uw luchtvaartmaatschappij en lokale wetgeving.

Opbergen

Laat uw scooter niet achter in direct zonlicht of koud weer gedurende langere tijd. De ideale opslagtemperatuur voor uw scooter en batterij is tussen 15 en 20 °C. Bewaar uw elektrische scooter niet in woonruimten, maar in de garage.

Wat te doen na een val of ongeval

Na een val of ongeval, breng uw elektrische scooter naar een erkend servicecentrum en laat hem controleren voor eventuele schade.

Reiniging

Om corrosie van de schroeven en onnodige slijtage te voorkomen, is het raadzaam om de scooter grondig schoon te maken en te drogen elke drie maanden en na elke rit in de regen. Spoel de scooter na schoonmaken schoon met schoon water om eventuele sporen van het gebruikte reinigingsmiddel te verwijderen. Droog de scooter vervolgens met een doek.



Gebruik apparaatspecifieke reinigingsmiddelen en verzorgingsproducten, evenals een zachte spons. Gebruik nooit oplosmiddelen om schoon te maken en vermijd de scooter direct onder stromend water te houden.

Reparatie

Laat alle reparaties door een erkende dealer of een erkend servicecentrum uitvoeren. Voer zelf geen reparaties uit op elektrische componenten. Alleen een specialist mag behuizingen openen met ingebouwde elektrische componenten.

Instructies voor verwijdering

Let op het milieu tijdens de verwijdering en volg deze instructies:

- Verwijder alleen de elektrische scooter en bijbehorende componenten (bijv. De batterij) bij een erkend afvalbedrijf of via de verwijderingsinrichting van de gemeente.
- Houd rekening met de huidige voorschriften. In geval van twijfel, raadpleeg uw verwijderingsinrichting voor milieuvriendelijke verwijdering. Batterijen en elektrische apparaten mogen niet met het huisvuil weggegooid worden!



INITIËLE SETUP

Voordat u de scooter voor de eerste keer gebruikt

- Controleer de inhoud van de levering:
 - Scooter, Lader & voedingskabel, gebruikershandleiding
- Aan het einde van deze gebruiksaanwijzing vindt u de micro-Pass. Vul de micro-Pas volledig in en bewaar deze samen met de aankoopbon. De micro-Pass zorgt voor een soepele verwerking van reparaties en garantieproblemen.
- De batterij wordt slechts gedeeltelijk opgeladen bij levering. Laad de batterij volledig op met de meegeleverde lader voor het eerste gebruik.

Voor elke trip

De elektrische scooter moet vóór elke trip worden gecontroleerd op zijn rijbaarheid. Het voertuig wordt volledig klaar voor gebruik geleverd door de fabrikant. Aangezien defecten die de functie van het voertuig kunnen schaden, tijdens het transport en onderweg optreden, dient u altijd de volgende punten op te volgen alvorens de scooter voor de eerste keer en voor elke trip te gebruiken:

Test item	Test inhoud
Lichten	Zijn de lichten aan?
Algemene staat	Zijn alle schroeven stevig vastgeschroefd en alle onderdelen beveiligd?
Remmen	Zijn de remmen correct geïnstalleerd en volledig functioneel?
Vouwmechanisme	Heeft het vouwmechanisme goed op zijn plaats geklikt en is de spanhendel gesloten en vastgedraaid?
Status van de batterijlading	Is de batterij voldoende opgeladen?
Huidige rijmodus	Welke rijmodus is momenteel ingesteld?
Micro App	Download vanaf Android of iOS de APP "Micro Mobility"

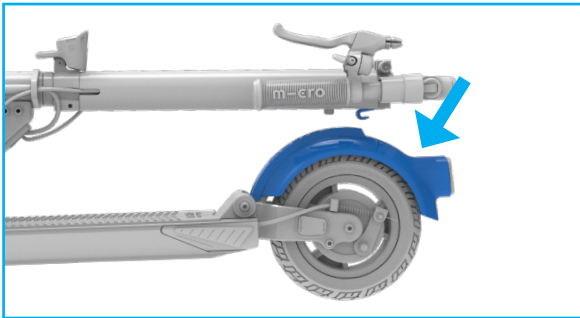
Het is absoluut noodzakelijk om de slijtage van de banden en de dichtheid van de schroeven voor elk gebruik te controleren.

WERKING

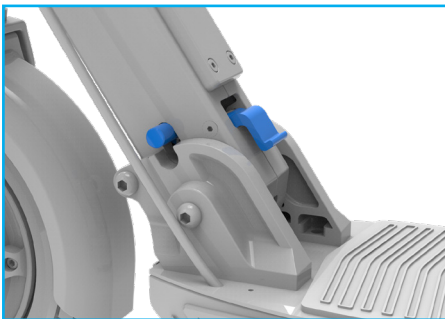
Uitvouwen

Uw elektrische scooter wordt opgevouwen geleverd. In een paar eenvoudige stappen is hij ontvouwen en klaar om te rijden. Hieronder wordt uitgelegd hoe u de scooter kunt ontvouwen.

1. Druk de achterrempedaal in om de haak van de voorbuis los te maken.

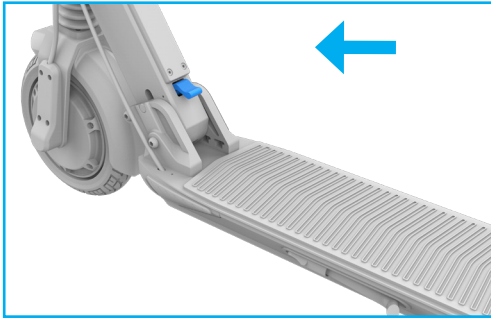


2. Trek de voorbuis omhoog totdat u een klik hoort. De bout op het vouwblok is nu correct op zijn plaats geplaatst.



Vouwen

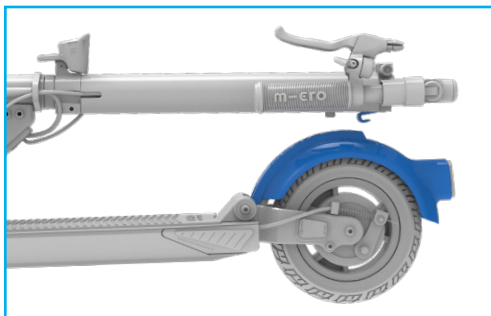
1. Om uw scooter op te vouwen, duwt u de blauwe hendel naar beneden met uw voet terwijl u **druk uitoefent op het stuur in de rijrichting.**



2. Deze scooter heeft een zijstandaard. U kunt de zijstandaard gebruiken of de scooter laten staan door deze gedeeltelijk uit te vouwen.

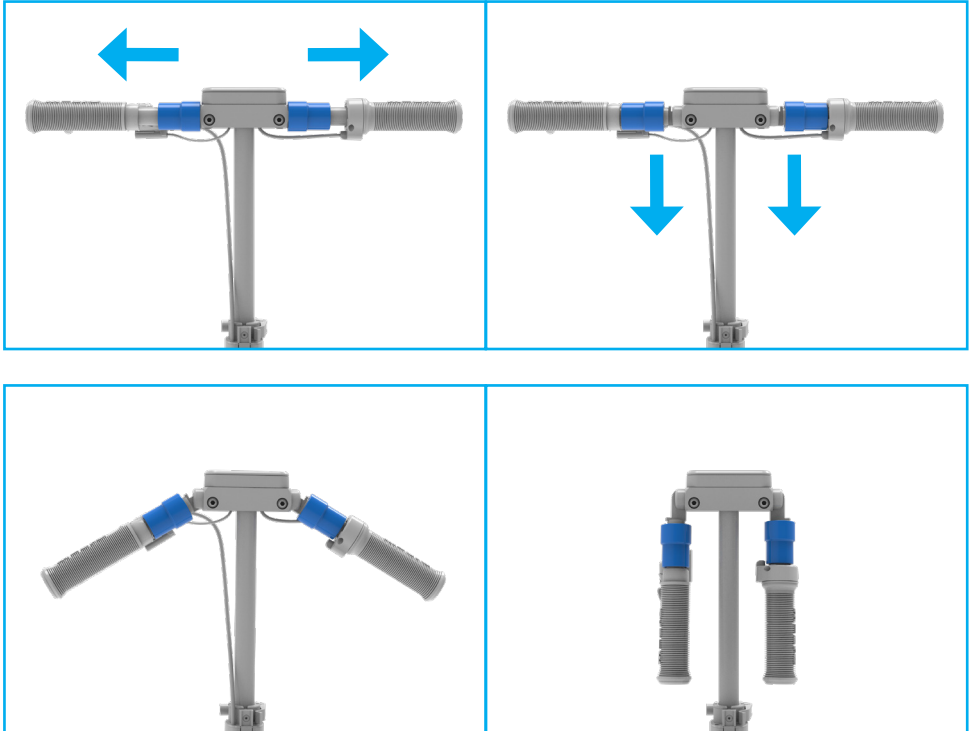


3. Klik de haak op de verticale buis in de achterrempedaal.



Opvouwbare handgrepen

U kunt de handgrepen van de scooter opvouwen om deze compact op te bergen. Om dit te doen, trekt u de handgrepen horizontaal naar buiten en vouwt u ze naar beneden. Als u ze wilt uitvouwen, duwt u ze een lichtjes omhoog en klikken ze automatisch in de juiste positie.



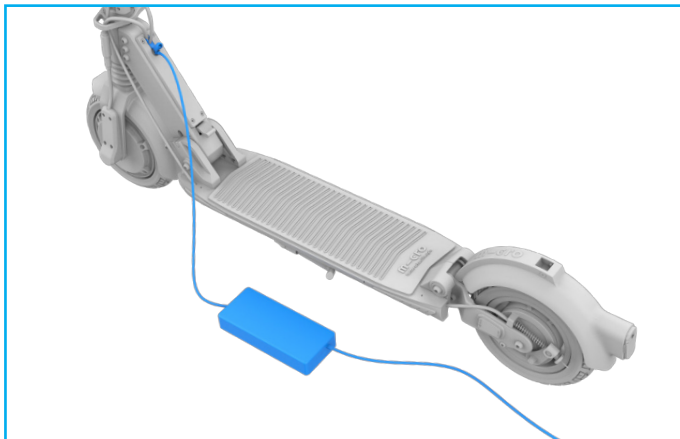
Licht in- en uitschakelen

- Om het licht aan / uit te zetten de lichtknop (tweede knop aan de rechterkant van het display).

De batterij opladen

Hierna volgt het laadproces:

- Sluit de elektrische scooter aan op de lader.
- Sluit de lader aan op een stopcontact. U kunt zien dat de lader en scooter correct zijn aangesloten als het LED-display op het voedingsapparaat naar rood verandert (dit kan enkele seconden duren).
- Wanneer de scooter volledig opgeladen is, verandert het LED-display op de lader terug naar groen.



- Seul les chargeurs Micro sont adaptés pour recharger les trottinettes électriques Micro.
- Pour une meilleure étanchéité, veiller à bien refermer le cache de protection du connecteur de charge après chaque utilisation.

 : charger ref.: 5541 (EU), 5253 (UK), 5255 (US), 5257 (AU)



WAARSCHUWING

De geïnstalleerde batterijen zijn oplaadbare lithium-ion batterijen. Laad nooit batterijen op die niet bedoeld zijn om te worden opgeladen.

Remmen

Gebruik indien mogelijk meerdere remmen tegelijkertijd tijdens het remmen. Verander de remmen tijdens lange afdalingstijden om oververhitting te vermijden.

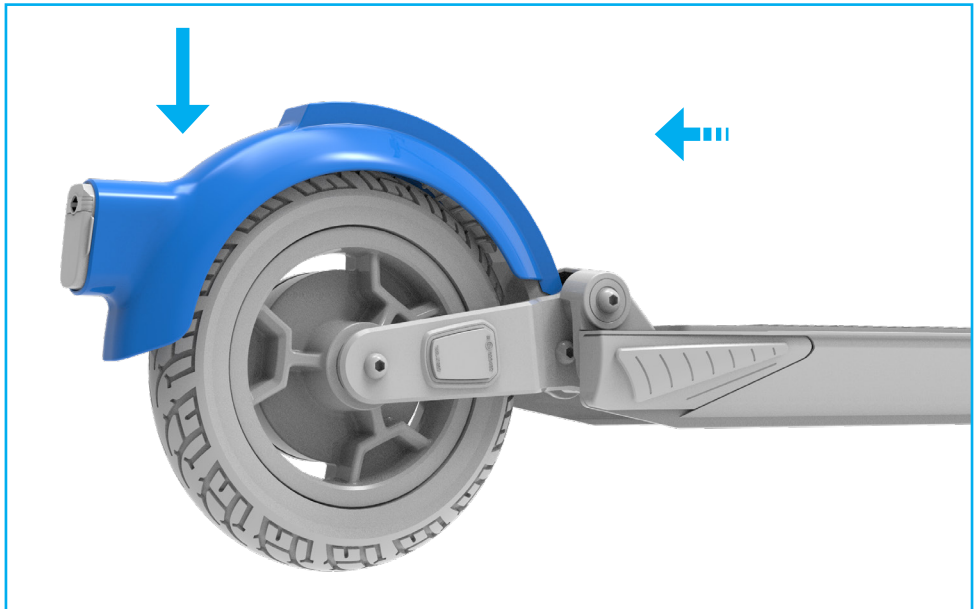


WAARSCHUWING

Vochtige of natte wegoppervlakken vereisen een langere remafstand. Wees voorzichtig en verminder de snelheid op gladde of ongelijke wegoppervlakken.

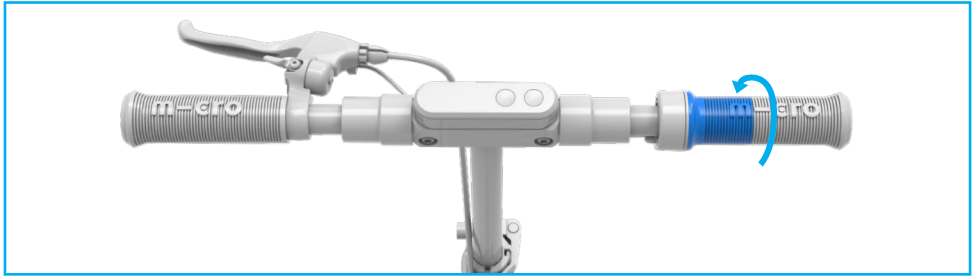
Bediening van de voetrem

Verplaats tijdens het remmen het lichaam, zodat het zwaartepunt naar het achterwiel neigt voor de beste remwerking. Uw gewicht naar achteren/ beneden verplaatsen, vermindert de remafstand aanzienlijk. Door de voetrem te bedienen wordt de motorrem automatisch geactiveerd.



De regeneratieve rem bedienen

Om de regeneratieve rem (motorrem) te activeren, draai de gasklep van de nulstand in de rijrichting. U zult onmiddellijk opmerken hoe de elektrische motorrem aanvoelt.



Rijden met de elektrische scooter



WAARSCHUWING

Rijd langzaam om gewend te raken aan het nieuwe rijgevoel, vooral wanneer u de eerste keer rijdt. Wees er altijd van bewust dat rijden aan hogere snelheden op de elektrische scooter ook leidt tot een langere remafstand.

De handrem bedienen

Trek aan de linkerhendel om de handrem (trommelrem op het achterwiel) te activeren. Door de handrem te bedienen wordt de motorrem ook automatisch geactiveerd.



Gashendel

De elektrische scooter heeft een gashendel (rechterkant) om de snelheid te regelen. Om te beginnen, duw met uw voet van de grond en druk vervolgens de gashendel naar het lichaam om de scooter te versnellen.



Rijprogramma's

Uw elektrische scooter heeft verschillende rijvoorkeursprogramma's. Bijvoorbeeld, de Eco-modus geeft u de mogelijkheid om comfortabel te reizen voor lange afstanden, terwijl de Sportmodus u snel de bergen laat beklimmen.

Rijprogramma	Programma-indicatie op het display	Maximale snelheid
Voetgangersmodus	1.	6 km/u
Eco-modus	2.	15 km/u
Standaard modus	3.	20 km/u
Sportmodus	4.	25 km/u

* Volgens de landspecifieke voorschriften kan de maximumsnelheid worden beperkt tot 20 km/u.



De elektrische scooter is niet voor algemeen gebruik op openbare wegen goedgekeurd. Houd er rekening mee dat elk land specifieke voorschriften en beperkingen heeft voor elektrische voertuigen in het wegverkeer (met name wat betreft voor de maximale snelheid, prestatie en bevoegde wegen). Informeer uzelf over de toepasselijke richtlijnen voor uw land, persoonlijk en in detail.

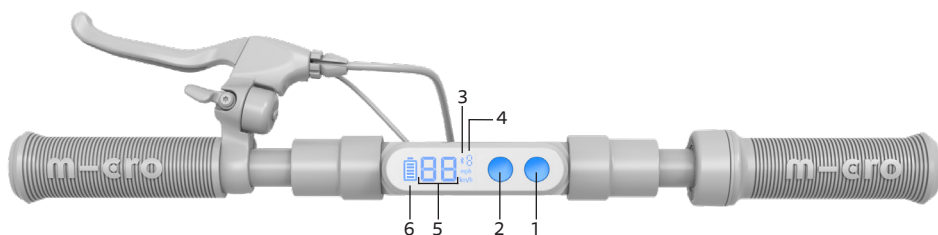
De rijprogramma's instellen

U kunt tussen de rijprogramma's wisselen door op de knop Aan / Uit & Modusselectie te klikken.

Display interface en functies

De volgende afbeelding toont de verschillende posities op het display.

- Het cijfer (1–4) bovenaan het scherm toont het geselecteerde rijmodus.
- De grote cijfers aan de linkerkant geven de huidige snelheid weer.
- Het batterijpictogram aan de linkerkant geeft de huidige laadstatus van uw batterij aan.



- | | |
|--|------------------------------|
| 1. AAN/UIT & Modusselectieknop:
– AAN/UIT: druk 3 seconden op
– Modus (1–4): korte klik | 3. App connectiviteit |
| 2. Lichtknop:
– Licht AAN/UIT: korte klik | 4. Modus (1–4) |
| | 5. Snelheid |
| | 6. Batterijniveau |

ONDERHOUD

Om een lange levensduur van uw elektrische scooter te waarborgen, is het noodzakelijk om de scooter een keer per jaar of elke 500 kilometer (wat zich eerst voordoet) naar een erkende dealer of een erkend servicecentrum te brengen. Geef het servicecentrum het service record en zorg ervoor dat de service correct is uitgevoerd.

- Wij raden u aan om uw lagers goed te verzorgen met een geschikt glijmiddel voor een perfecte en veilige glijbeurt.
- De trommelrem moet regelmatig worden gecontroleerd en de spanning moet worden aangepast voor een veilig gebruik.
- Alle onderhoud en reparaties moeten worden uitgevoerd met behulp van originele onderdelen die door Micro Mobility worden geleverd.



OPMERKING

Nadat u de elektrische scooter hebt gebruikt voor de eerste 5 uur, controleer of alle schroeven zijn vastgezet en draai eventueel losse schroeven vast.

Batterij onderhoud

Volg de onderhoudsinstructies om een lange levensduur van uw batterij te garanderen:

- Bewaar batterijen bij een temperatuur tussen 5 ° en 25 °C.
- Laad de batterij direct na aankoop volledig op.
- Laad de batterij elke drie maanden volledig op als de scooter niet in gebruik is.
- De batterij moet worden opgeladen binnen drie dagen nadat het ze volledig leeg is gelopen.



OPMERKING

Schade als gevolg van niet-naleving van de bovenstaande onderhoudsinstructies valt niet onder de garantie-claims.

TECHNISCHE GEGEVENS

	Micro Explorer S
Artikelnummer	EM0072, EM0076, EM0083
Wielmaat (voor/achter)	200 / 200 mm
Gewicht	14.7 kg
Gashendel	✓
Voor- en achterwielrem	✓
Achterlicht	✓
Koplamp	✓
Prestatie (max. vermogen)	500 Watt
Wielmateriaal	Rubber
Hoogte van het stuur	1095 mm
Totale lengte	1028 mm
Batterij	36 V / 9.6 Ah / 345 Wh
Cellen	EVE
Bereik	40 km *
Snelheid	6 / 15 / 25 km/u **
Laadtijd	3.5 uur
Laadstatus	indicatie op het display

(*) autonomie gebaseerd op normale omstandigheden (vlak oppervlak, temperatuur van 20 °C, 75 kg rijdergewicht, Eco-modus).

(**) Volgens de landspecifieke voorschriften kan de maximumsnelheid worden beperkt tot 20 km/u.

EU-UNIFORMITEITSVERKLARING

Fabrikant:

Micro Mobility Systems Ltd. Bahnhofstrasse 10
8700 Küsnacht
Zwitserland

**Geautoriseerde vertegenwoordiger voor de
opstelling van de technische documentatie:**

Micro Mobility Systems Ltd. Bahnhofstrasse 10
8700 Küsnacht
Zwitserland

Artikel:

Elektrische scooter (E-scooter)
EM0072 - Micro Explorer S Silver 25
EM0076 - Micro Explorer S Silver 20
EM0083 - Micro Explorer S AMG

Serienummer:

xxxxxxxxxxxx

Lader:

5541 (EU), 5253 (UK), 5255 (US), 5257 (AU)

Bovenstaande product voldoet aan de volgende richtlijnen:

- Machinerichtlijn 2006/42/EC
- EMC-richtlijn 2014/30/EU
- LVD-richtlijn 2014/35/EU
- RoHS-richtlijn 2011/65/EU

In de inspectie zijn de volgende geharmoniseerde normen toegepast:

- EN ISO 12100:2010 Machinerichtlijn Scooter
- EN61000-6-1:2019 EMC Scooter/Lader
- EN55014-1:2017 EMC Lader
- EN55014-2:2019 EMC Lader
- EN61000-3-2:2019 EMC Lader
- EN61000-3-3:2013 EMC Lader
- EN61000-6-3:2021 EMC Scooter/Lader
- EN60335-1:2012+A11:2014+A13:2017
+A1:2019+A14 :2019+A2 :2019 Scooter/Lader
- EN60335-2-29:2016 LVD Lader
- 2011/65/UE, 2015/863/UE RoHS Scooter/Lader
- EC1907/2006 REACH Scooter
- EN61558-1:2005+A1:2009 LVD Lader
- EN61558-2-16:2009+A1:2013 LVD Lader

Andere toegepaste technische normen en specificaties:

- EN17128:2020 Scooter - Persoonlijke lichte elektrische voertuigen (PLEV)
- EN15194:2018 Cycles – EPAC fietsen
- EN62133:2012 Batterij

01.07.2022 Küsnacht



GARANTIE

De volgende garantieservice mag worden verwacht:

- Twee jaar garantie op de scooteronderdelen: Treeplank, complete voormontage en rempedaal. Alle slijtage-onderdelen, kleine onderdelen en schroeven zijn uitgesloten van deze garantie.
- Een jaar garantie op de batterij of 300 volledige ladingcycli (wat zich eerst voordoet). We garanderen een resterende capaciteit van 60% van de oorspronkelijke nominale capaciteit.
- Een jaar garantie op de elektrische componenten: Motor, display, controller en kabels.

Omvang van de garantiediensten

Op basis van deze garantie verbindt Micro zich tot de volgende diensten tijdens de respectieve garantieperiodes: naar keuze van Micro, reparatie of vervanging met gelijkwaardige onderdelen/componenten, waarbij de vervanging van het origineel kan variëren in termen van model en/of kleur; diensten die niet onder de garantie vallen en binnen de vaardigheden van de dealer vallen, alsmede het schoonmaken van scooters die in onreine toestand zijn geleverd, worden in rekening gebracht tegen het standaard uurtarief, inclusief alle kosten voor materiaal en vervoer;

- Elke dienst die wordt verleend onder de garantie (reparatie/vervanging) verlengt de oorspronkelijke garantie niet.
- Alle andere aanspraken dan bovengenoemde zijn niet van toepassing.

GARANTIEVOORWAARDEN

De garantie is niet van toepassing op schade veroorzaakt door het volgende:

- Schade veroorzaakt door het niet opladen van de batterij als dat nodig is.

- Schade veroorzaakt door opbergen, opladen of gebruik buiten het gespecificeerde temperatuurbereik.
- Onjuist gebruik, ongepaste toepassing of nalatige bediening (bijv. sprongen).
- Onjuiste wijziging door derden (bijv. door het openen van de voetplank).
- Onjuist laden (bijv. door het laden met een andere lader dan de meegeleverde).
- Het overschrijden van de maximale snelheid van 40 km/u bij bergaf rijden.
- Technische wijzigingen van de scooter zonder toestemming van de fabrikant.
- Aansluitende conversie/installatie van niet-compatibele of niet-originele onderdelen.
- Slijtage-onderdelen zoals kogellagers, glijlagers, lagerbouten en lagerschroeven enz.
- Niet-naleving van de onderhoudsintervallen.
- Schade als gevolg van ontbrekende of onjuiste instelling(en) of versleten onderdelen.
- Gevolgen van vallen.
- Alle persoonlijke of eigendomsschade aan derden of eigendommen die voortvloeien uit het gebruik van de scooter.
- Schade als gevolg van ongeschikte schoonmaakmiddelen, gereedschap zoals hogedrukreinigers of additieven.
- Schade veroorzaakt door nalatigheid van de gebruiker in combinatie met waterbescherming (de elektrische scooter is splashbestendig maar niet waterdicht).

Scheidbaarheidsclausule

Als een bepaling van deze garantie ongeldig is of wordt, of mazen heeft die moeten worden gesloten, is dit niet van invloed op de effectiviteit van de overige bepalingen. De ontbrekende of ongeldige bepaling wordt vervangen door een bepaling die zo dicht mogelijk bij de bedoeling en het doel van de oorspronkelijke bepaling komt.

Toepasselijk recht en jurisdictie

Bij eventuele geschillen die voortvloeien uit deze garantie (ook met betrekking tot de vraag of het bestaan of de geldigheid ervan), wordt afgesproken dat de exclusieve locatie het gerecht van het kanton van Zürich zal zijn. Dit koopcontract is onderworpen aan de Zwitserse wetgeving, met uitzondering van collisiereregels en de uitsluiting van het Verdrag van de Verenigde Naties inzake contracten voor de internationale verkoop van goederen (VN-Verkoopverdrag).

MICRO-PASS

Vul de micro-Pass volledig in en bewaar deze samen met de aankoopbon.

Eigenaar

Naam en achternaam

Straat / Huisnummer

Postcode

Land

Scooter

Serienummer

Model

Kleur

Wielgrootte

Speciale kenmerken

Aankoopdatum

Dealer naam

Dealer adres

Aankoopprijs



SERVICE RECORD

Alle onderhoud van de elektrische scooter moet in het service record worden geregistreerd. Uw elektrische scooter moet eens per jaar of elke 500 kilometer door een erkend servicecentrum worden gecontroleerd.

Soort bestelling	<input type="checkbox"/> Jaarlijks onderhoud <input type="checkbox"/> Reparatie
Uitvoerdatum	
Uitgevoerd door	
Bestellingsnummer	
Werken uitgevoerd	
Uitgevoerd tegen betaling	
Datum, handtekening, zegel	

Soort bestelling	<input type="checkbox"/> Jaarlijks onderhoud <input type="checkbox"/> Reparatie
Uitvoerdatum	
Uitgevoerd door	
Bestellingsnummer	
Werken uitgevoerd	
Uitgevoerd tegen betaling	
Datum, handtekening, zegel	



ÍNDICE DE CONTENIDOS

1.	Componentes	124
2.	Información general	
	Traducción del manual original	125
	Explicación de términos y símbolos	126
3.	Uso previsto	127
4.	Instrucciones de seguridad	128 – 130
5.	Instrucciones de uso	
	Identificación de la unidad	131
	Desgaste	131
	Instrucciones para el uso de la batería.....	132
	Protección antirrobo	132
	Transporte del patinete eléctrico	132
	Almacenamiento	132
	Qué hacer después de una caída o accidente	133
	Limpieza	133
	Reparación.....	133
	Instrucciones para la eliminación	134
6.	Configuración inicial	
	Antes de utilizarlo por primera vez	135
	Antes de cada trayecto	136
7.	Funcionamiento	
	Desplegado	137
	Plegado	138
	Manillares plegables	139
	Encendido y apagado de la luz	139
	Carga de la batería	140
	Frenos	141
	Funcionamiento del freno de pie	141

Funcionamiento del freno regenerativo	142
Conducción del patinete eléctrico	142
Funcionamiento del freno de mano.....	142
Puño del acelerador	143
Control de velocidad	143
Programas de conducción	143
Ajuste de los programas de conducción	144
Explicación de las funciones en pantalla	144

8.

Mantenimiento

Mantenimiento de la batería	145
-----------------------------------	-----

9.

Datos técnicos

146

10.

Declaración de conformidad

147

11.

Garantía

Alcance de los servicios de garantía	148
--	-----

12.

Condiciones de la garantía

148

13.

Permiso micro

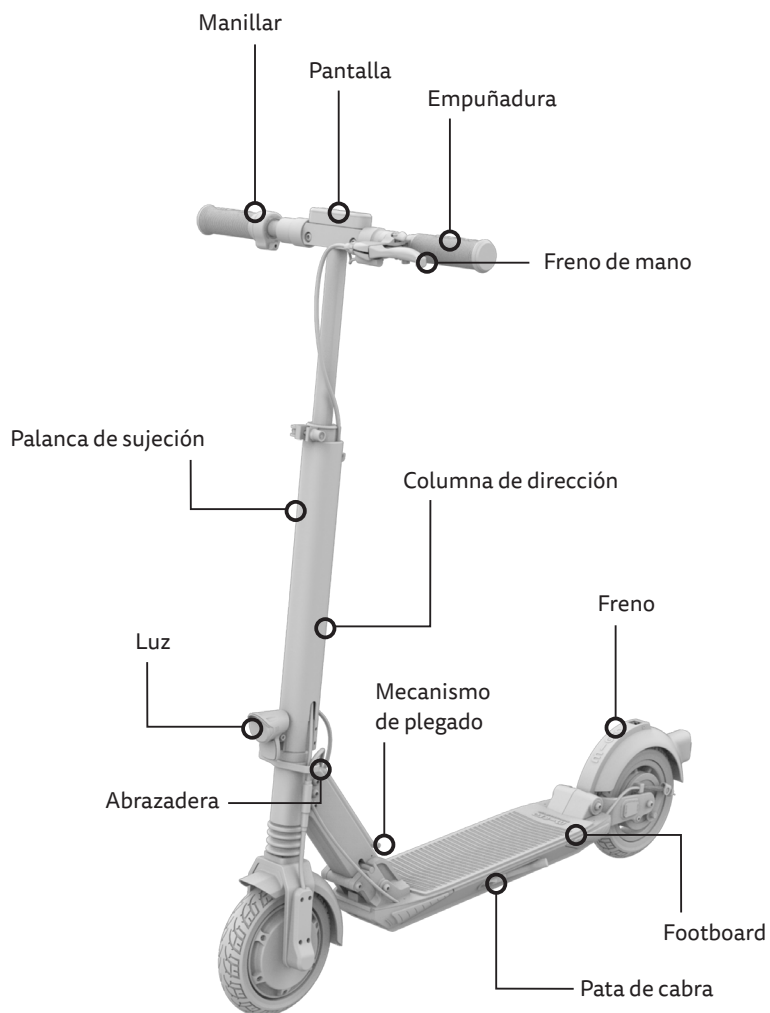
150

14.

Registro de servicios

151

COMPONENTES



INFORMACIÓN GENERAL

Manual de usuario

Antes de utilizar por primera vez el patinete eléctrico, lea atentamente el manual de usuario, en especial las instrucciones de seguridad. Observe las normas viales para la circulación con patinetes eléctricos aplicables también en otros países y que puedan ser diferentes. Guarde este manual para futuras consultas. Si traspasa el patinete eléctrico a un tercero, no olvide entregarle este manual de usuario.



Explicación de términos y símbolos

El propósito de los símbolos de seguridad es llamar su atención sobre los posibles peligros. Lea las explicaciones atentamente y asegúrese de que entiende los símbolos de seguridad. La no observancia de las instrucciones de seguridad puede provocar daños personales o daños a terceros, así como daños materiales.

Los símbolos y las palabras de advertencia indicados a continuación figuran en este manual de usuario original, en el patinete eléctrico o en el embalaje:



ADVERTENCIA

Indica un posible peligro de **riesgo medio** que, en caso de no observarse, podría desembocar en daños físicos graves o mortales. Esta palabra de advertencia no se utiliza para los riesgos que implican daños puramente materiales.



PRECAUCIÓN

Indica un posible peligro de **riesgo bajo** que, en caso de no observarse, podría desembocar en daños personales leves o moderados. Esta palabra de advertencia no se utiliza para los riesgos que implican daños puramente materiales.



NOTA

Indica información práctica y consejos que facilitan el uso óptimo del patinete eléctrico.

USO PREVISTO


- El patinete eléctrico está previsto única y exclusivamente para su uso como patinete en determinadas carreteras y vías.
- El patinete eléctrico está previsto para el transporte de una persona.
- El patinete eléctrico ha sido diseñado para personas con un peso máximo de 100 kg y una altura máxima de 190 cm.
- Asegúrese de haber leído y entendido las normas de tráfico rodado de su país antes de utilizar el patinete eléctrico.
- El patinete eléctrico no es apto para el transporte de equipaje o de niños.
- El patinete eléctrico es únicamente de uso privado y no para fines comerciales.
- El patinete eléctrico es apto para personas mayores de 16 años.
- El uso previsto incluye también la observancia de la información que figura en los capítulos 'Notas sobre el uso' y 'Mantenimiento'.
- Utilice únicamente el patinete eléctrico tal como se describe en el manual de usuario original. Cualquier otro tipo de uso se considerará no conforme y podría causar accidentes, daños personales o daños materiales.
- La potencia del motor es de 450W. La máxima potencia total aceptada de la batería durante la aceleración es de 500W.

INSTRUCCIONES DE SEGURIDAD



ADVERTENCIA

para el uso del patinete eléctrico

- No utilice el patinete eléctrico si no está familiarizado con su manejo y sus funciones.
- El patinete no debe ser utilizado por personas con una capacidad física, sensorial o mental limitada o que no posean experiencia o competencias.
- Los niños no deberán utilizar, limpiar ni realizar operaciones de mantenimiento en el patinete eléctrico.
- El sistema electrónico adicional de asistencia a la frenada (freno del motor) puede resultar en una distancia de frenado más corta. No olvide que el freno del motor no se activa si...
 - la batería está descargada y usted conduce utilizando solamente la fuerza de su cuerpo.
- Evite circular al anochecer o por lugares escasamente iluminados.
- Para optimizar la visibilidad y seguridad, conduzca siempre con las luces encendidas.
- Lleve siempre puesto un equipo de protección apropiado. 
- Compruebe que lleva un casco de bicicleta autorizado y abrochado, aun cuando no exista un requisito legal en este sentido.
- Lleve siempre zapatos.
- Evite descensos empinados ya que podría sufrir una caída.
- Preste siempre atención a los demás usuarios de la carretera. La conducta indebida de otros conductores puede provocar accidentes y lesiones.

- Circule siempre con cuidado y preste especial atención al estado de la calzada. Determinadas condiciones imprevisibles de la calzada como el carácter deslizante o el follaje, pueden desembocar en un mayor riesgo de derrape.
- No realice saltos con el patinete y evite siempre baches, bordillos y otros obstáculos.
- No toque el freno después de una frenada prolongada; podría estar caliente.
- Si el patinete eléctrico está expuesto a la humedad debido a una climatología húmeda o a su limpieza, la humedad podría afectar a la capacidad de reacción del sistema de frenado. Después de limpiarlo, circule con el patinete por un lugar seguro para que se sequen las ruedas.
- No guarde nunca el patinete eléctrico en zonas habitables o cerca de objetos inflamables.
- Siempre sostenga el manubrio con ambas manos y ambos pies sobre la tabla en una posición estable y cómoda.
- Cuando use el pedal de freno trasero, use sólo un pie y deje el otro pie en la tabla para mantener el equilibrio adecuado al manejar el scooter.
- Cuidado con los dedos atrapados y otras partes del cuerpo al doblar y desplegar el scooter y al doblar y desplegar los mangos del scooter.
- La alimentación del scooter debe ser desconectada antes de realizar cualquier trabajo de mantenimiento o ajuste.



ADVERTENCIA

para accesorios y modificaciones

- No modifique el patinete eléctrico ni instale accesorios inadecuados ya que podría poner en riesgo su seguridad.
- El uso de accesorios no autorizados podría provocar lesiones graves o daños importantes en el patinete eléctrico.
- Queda prohibida la 'personalización' o 'tuneo' del patinete eléctrico.
- No cuelgue artículos como bolsas en el manillar ya que podría afectar negativamente a las características del manejo.



ADVERTENCIA

para el uso de la batería

- Cargue la batería solamente con el cargador suministrado y únicamente a una temperatura comprendida entre 5 °C y 25 °C.
- Siga las siguientes instrucciones relacionadas con la batería:
- No deje nunca desatendida la batería durante la carga.
- Cuando cargue la batería, compruebe la correcta conexión al enchufe, así como la existencia de una ventilación adecuada y un entorno seco.
- No deje que el cargador, los cables de alimentación y los cables de conexión entren en contacto con el agua ya que podrían provocar una descarga eléctrica. No toque la batería ni el cargador con las manos húmedas.
- Revise el enchufe de conexión y el cargador con cierta regularidad. En caso de detectar daños, sustitúyalos.
- Guarde siempre la batería a una temperatura comprendida entre 5 °C y 25 °C.
- Mantenga siempre la batería fuera del alcance de niños y animales.
- Las reparaciones y los mantenimientos de la batería o del cargador deberán ser llevados a cabo por un especialista.



ADVERTENCIA

para los ajustes, el mantenimiento y la reparación

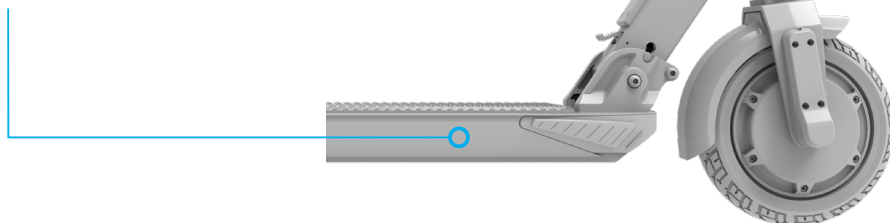
- Un apriete incorrecto de los tornillos podría causar una fatiga del material. Los tornillos se debilitan cuando están sometidos a una tensión excesiva y pueden romperse. Esto aumenta el riesgo de accidentes y lesiones. Utilice siempre una llave dinamométrica para apretar los tornillos.
- Confíe siempre las reparaciones del sistema impulsor a un especialista.

INSTRUCCIONES DE USO

Identificación de la unidad

- El número de serie se encuentra situado en el lado derecho de la base.

XXXXXXXXXXXX



- Podrá encontrar más información en la etiqueta adhesiva pegada en el patinete.

Desgaste

El uso del patinete eléctrico comporta un proceso natural de desgaste. Para garantizar una circulación segura en todo momento, lea el capítulo 'Mantenimiento', observe los intervalos de mantenimiento y pida que los anoten en el registro de servicios. Asimismo, siga las instrucciones del apartado 'Antes de cada trayecto' cada vez que ponga en marcha su patinete eléctrico.

Instrucciones de uso de la batería

La batería de litio es un producto de alta tecnología que ofrece unos excelentes resultados cuando es manipulada y mantenida correctamente. Lea atentamente el apartado 'Carga de la batería' del capítulo 'Funcionamiento', así como las instrucciones 'Mantenimiento de la batería' del capítulo 'Mantenimiento'.

Protección antirrobo

No deje nunca su patinete eléctrico desatendido y protéjalo siempre de los robos con un bloqueo adecuado. Utilice un candado de bicicleta comercial para proteger el patinete eléctrico por la zona de la rueda trasera.

Transporte del patinete eléctrico

Las baterías están sometidas a la legislación relacionada con las mercancías peligrosas. Se exigen unos requisitos especiales de embalaje y etiquetado para ser transportadas por terceros (por ejemplo, transporte aéreo o servicio de paquetería). En caso de envío, rogamos contacte con un experto en mercancías peligrosas. No transporte ni envíe baterías deterioradas.

Requisitos de viaje: Por favor, consulte con su compañía aérea y las leyes locales.

Almacenamiento

No deje su patinete a pleno sol ni expuesto al frío durante largos períodos de tiempo. La temperatura ideal de almacenamiento para su patinete y batería está comprendida entre 15 y 20 °C . No guarde su patinete eléctrico en zonas habitables sino en un garaje.

Qué hacer después de una caída o accidente

Tras una caída o accidente, lleve su patinete eléctrico a un centro de asistencia técnica autorizado y pida que lo revisen.

Limpieza

Para prevenir la corrosión de los tornillos y un desgaste innecesario, se recomienda limpiar la unidad y secarla a conciencia cada tres meses y después de conducir bajo la lluvia. Tras la limpieza, aclare el patinete con agua limpia para eliminar cualquier rastro del agente limpiador utilizado. A continuación, seque el patinete con un paño.



NOTA

Utilice agentes limpiadores y productos de cuidado específicos para el dispositivo, así como una esponja suave. No utilice nunca disolventes para la limpieza y evite limpiar el patinete directamente debajo de un chorro de agua.

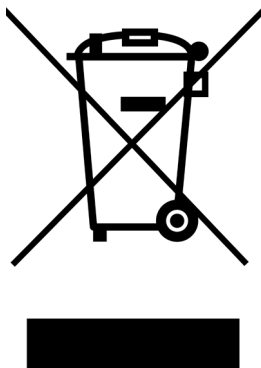
Reparación

Acuda siempre a reparar su patinete a un concesionario autorizado o a un servicio de asistencia técnica autorizado. No realice reparaciones en los componentes eléctricos por su cuenta. Solo un especialista puede abrir las cajas con componentes eléctricos integrados.

Instrucciones para la eliminación

Respete la normativa medioambiental durante la eliminación y observe las siguientes instrucciones:

- Elimine únicamente el patinete eléctrico y los componentes asociados (por ejemplo, la batería) a través de una empresa de eliminación de residuos autorizada o en las plantas de eliminación de residuos municipales.
- Observe las normativas actuales. En caso de dudas, consulte a su planta de eliminación de residuos cómo proceder a una eliminación ambientalmente correcta. ¡Las baterías y los aparatos eléctricos no deben ser eliminados con los residuos domésticos!



CONFIGURACIÓN INICIAL

Antes de utilizarlo por primera vez

- Revise la entrega:
 - patinete, cargador y cable eléctrico, manual de usuario.
- Al final de este manual de usuario encontrará el Permiso micro. Rellene el Permiso micro y guárdelo junto con el recibo de compra. El Permiso micro permite una cómoda gestión de las reparaciones y de las cuestiones de la garantía.
- La batería es entregada parcialmente cargada. Antes de utilizar el patinete por primera vez, cargue la batería utilizando el cargador suministrado.

Antes de cada trayecto

Antes de cada trayecto deberá comprobar el buen estado de funcionamiento del patinete eléctrico. El vehículo es entregado por el fabricante totalmente listo para su uso. Teniendo en cuenta que, durante el transporte, así como durante los períodos de inactividad, pueden aparecer defectos que posiblemente afecten a la función del vehículo, preste siempre atención a los siguientes puntos antes de utilizarlo por primera vez y antes de cada trayecto:

Objeto de examen	Contenido del examen
Luces	¿Las luces están encendidas?
Estado general	¿Están todos los tornillos fuertemente apretados y todos los componentes perfectamente sujetos?
Frenos	¿Están los frenos correctamente ajustados y plenamente operativos?
Mecanismo de plegado	¿Está el mecanismo de plegado debidamente encajado y la palanca de sujeción perfectamente cerrada y debidamente apretada?
Estado de carga de la batería	¿Está la batería suficientemente cargada?
Modo de conducción actual	¿Qué modo de conducción está configurado actualmente?
Micro App	Descárguese la App «Micro Mobility» para Android o iOS

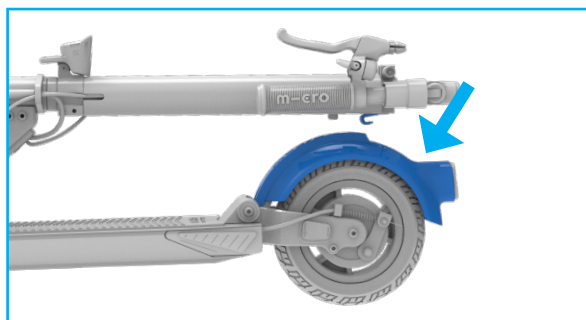
Es imperativo comprobar el desgaste de los neumáticos y el apriete de los tornillos antes de cada uso.

FUNCIONAMIENTO

Desplegado

Su patinete eléctrico se entrega plegado. Se despliega en unos pocos y sencillos pasos y ya está listo para su uso. A continuación, se explica cómo desplegar el patinete.

1. Presione el pedal de freno trasero para soltar el gancho del tubo delantero.

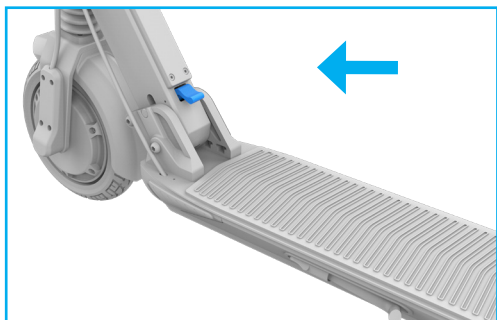


2. Tire hacia arriba del tubo delantero hasta que oiga un clic. El perno del bloque plegable ahora se encuentra colocado correctamente en su sitio.



Plegado

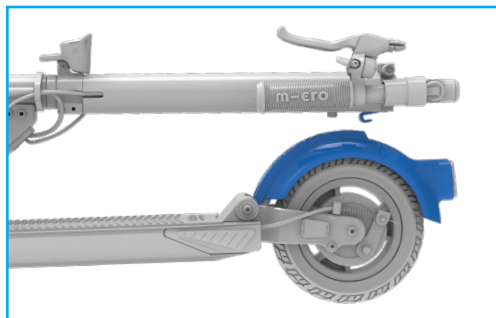
1. Para plegar el patinete, presione hacia abajo la palanca azul con el pie al tiempo que **ejerce presión en el manillar en el sentido de circulación.**



2. Este patinete lleva una pata de cabra. Puede usar la pata de cabra o dejarlo de pie plegándolo parcialmente.

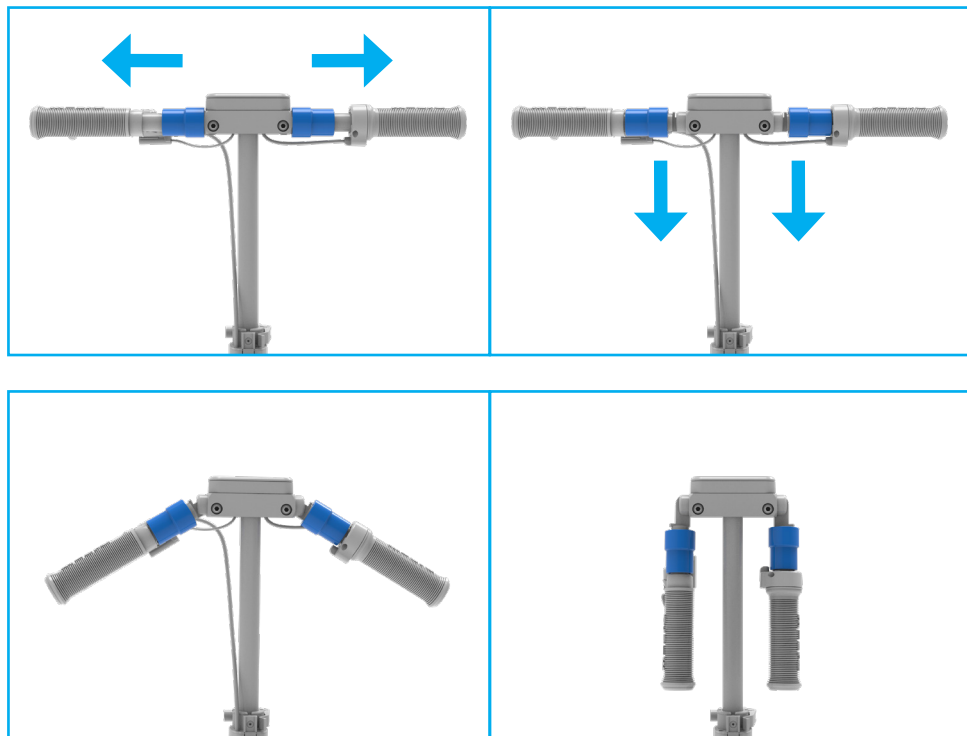


3. Enganche el tubo vertical al pedal de freno trasero hasta que oiga un clic.



Manillares plegables

Puede plegar los manillares del patinete para guardarlo de forma compacta. Basta con tirar de los manillares horizontalmente y plegarlos hacia abajo. Para desplegarlos, simplemente hay que empujarlos levemente para que se coloquen automáticamente en su sitio.



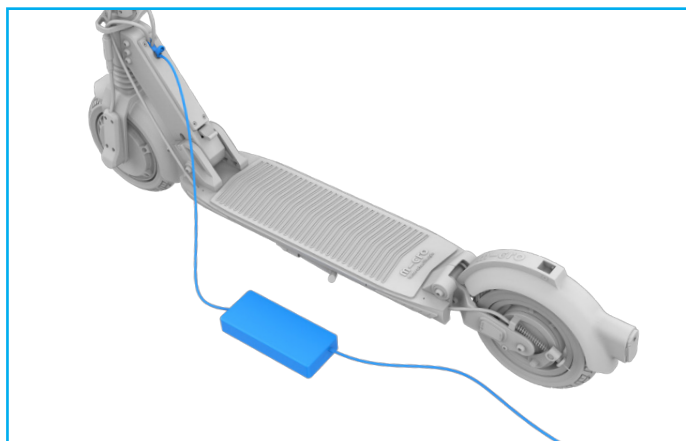
Encendido y apagado de la luz

- Para encender / apagar la luz, presione el botón de luz (segundo botón desde el lado derecho de la pantalla).

Carga de la batería

A continuación, se describe el proceso de carga:

- Conecte el patinete eléctrico al cargador.
- Conecte el cargador a una toma de corriente eléctrica. Verá que el cargador y el patinete están conectados correctamente cuando la pantalla LED de la fuente de alimentación cambie a color rojo (esto puede tardar algunos segundos).
- Cuando el patinete está cargado completamente, el LED del cargador cambia a color verde.



- Sólo los cargadores Micro son adecuados para cargar los scooters eléctricos Micro.
- Para un mejor sellado, asegúrese de cerrar la tapa protectora del conector de carga después de cada uso.

 : cargador ref: 5541 (EU), 5253 (UK), 5255 (US), 5257 (AU)



ADVERTENCIA

Las baterías instaladas son baterías de litio recargables. No cargue nunca baterías que no sean recargables.

Frenos

En la medida de lo posible, utilice varios frenos al mismo tiempo durante la frenada. Cambie de frenos cuando realice largos trayectos en descenso para evitar su sobrecalentamiento.

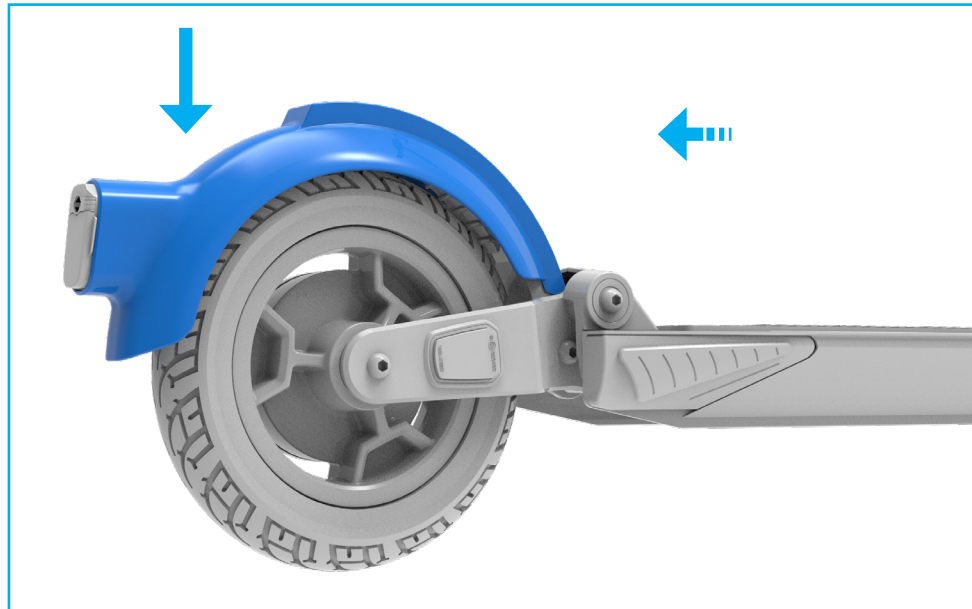


ADVERTENCIA

Las superficies húmedas o mojadas exigen una distancia de frenado más larga. Tenga cuidado y reduzca la velocidad en superficies deslizantes o irregulares.

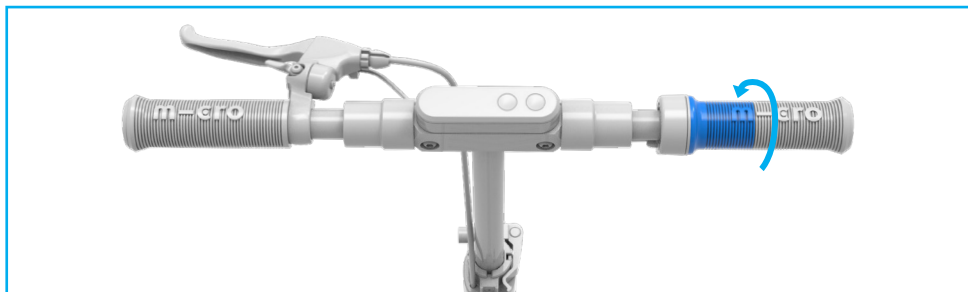
Funcionamiento del freno de pie

Durante la frenada, incline el cuerpo de manera que el centro de gravedad apunte hacia la rueda trasera para obtener la mejor frenada. El hecho de inclinar su cuerpo hacia atrás / hacia abajo reduce considerablemente la distancia de frenado. La activación del freno de pie activa automáticamente el freno del motor.



Funcionamiento del freno regenerativo

Para activar el freno regenerativo (freno del motor), gire el puño del acelerador y pase de la posición cero a la posición del sentido de marcha. De inmediato percibirá la reacción del freno del motor eléctrico.



Conducción del patinete eléctrico



ADVERTENCIA

Circule lentamente para acostumbrarse a la novedosa sensación de conducir, sobre todo la primera vez. No olvide nunca que ir en patinete eléctrico a grandes velocidades exige también una distancia de frenado más larga.

Funcionamiento del freno de mano

Para activar el freno de mano (es decir, el freno de tambor ubicado en la rueda trasera), tire de la palanca manual. La activación del freno de mano también activa automáticamente el freno del motor.



Puño del acelerador

El patinete eléctrico lleva un puño del acelerador (a la derecha) que permite regular la velocidad. Para arrancar, impúlsese con el pie y luego girar el acelerador giratorio hacia el cuerpo para acelerar el patinete.



Programas de conducción

Su patinete eléctrico dispone de varios programas de conducción predefinidos. Por ejemplo, el modo Eco le da la opción de recorrer cómodamente largas distancias, mientras que el modo Deporte le permite subir montañas con rapidez.

Programas de conducción	Indicación de los programas en la pantalla	Máxima velocidad*
Modo peatón	1.	6 km/h
Modo Eco	2.	15 km/h
Modo Estándar	3.	20 km/h
Modo Deporte	4.	25 km/h

* De acuerdo con las regulaciones específicas del país, la velocidad máxima puede limitarse a 20 km/h.



El patinete eléctrico no está autorizado para su uso general en vías públicas. No olvide que cada país tiene sus propias normativas y restricciones para el tráfico rodado de los vehículos eléctricos (sobre todo en términos de velocidad máxima, rendimiento y vías autorizadas). Infórmese personalmente y con detalle sobre las normas aplicables en su país.

Ajuste de los programas de conducción

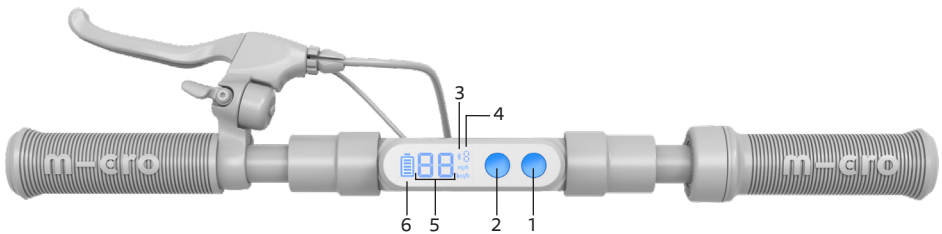
Puede cambiar entre los programas de conducción haciendo clic en el botón de encendido / apagado y selección de modo.

Interfaz y funciones de la pantalla

La imagen siguiente muestra las distintas partes de la pantalla.

- El número (1 a 4) de la parte superior de la pantalla indica el modo de conducción seleccionado.
- Los números grandes del lado izquierdo indican la velocidad actual.
- El icono de batería y el porcentaje situados a la izquierda indican el nivel de carga actual de la batería.

El icono de batería situado a la izquierda indican el nivel de carga actual de la batería.



- 1.** Botón de encendido/apagado y selección de modo:
 - ON/OFF: presione 3 segundos
 - Modo (1-4): presione brevemente
- 2.** Botón de luz:
 - Luz ON/OFF: presione brevemente
- 3.** Conexión con la app
- 4.** Modo (1-4)
- 5.** Velocidad
- 6.** Nivel de batería

MANTENIMIENTO

Para garantizar una larga vida operativa a su patinete eléctrico, es necesario llevar el patinete a revisión una vez al año o cada 500 kilómetros (lo que primero ocurra) a un concesionario autorizado o a un servicio de asistencia técnica autorizado. Entregue al servicio de asistencia el registro de revisiones y compruebe que la revisión haya sido correctamente anotada.

- Le recomendamos que cuide bien sus rodamientos con un lubricante adecuado para un deslizamiento perfecto y seguro.
- El freno de tambor debe ser revisado regularmente y su tensión ajustada para un uso seguro.
- Todo el mantenimiento y las reparaciones deben realizarse con las piezas originales suministradas por Micro Mobility.



NOTA

Una vez haya utilizado el patinete eléctrico durante las primeras 5 horas, revise el apriete de todos los tornillos, y si es necesario, apriete los tornillos sueltos.

Mantenimiento de la batería

Siga las instrucciones de cuidado para garantizar una larga vida a su batería:

- Guarde las baterías a una temperatura comprendida entre 5 y 25 °C.
- Tras la compra, cargue inmediatamente la batería.
- Cargue completamente la batería cada tres meses si no utiliza el patinete.
- La batería necesita ser recargada en el plazo de tres días una vez se haya agotado completamente.



NOTA

Los daños que puedan derivarse del incumplimiento de las instrucciones de cuidado antes mencionadas no están cubiertos por la garantía.

DATOS TÉCNICOS

	Micro Explorer S
Número de artículo	EM0072, EM0076, EM0083
Tamaño de las ruedas (delantera/trasera)	200 / 200 mm
Peso	14.7 kg
Puño del acelerador	✓
Freno de rueda delantera y trasera	✓
Luz trasera	✓
Luz delantera	✓
Rendimiento (máxima potencia de salida)	500 vatios
Material de las ruedas	Caucho
Altura del manillar	1095 mm
Longitud total	1028 mm
Batería	36 V / 9,6 Ah / 345 Wh
Celdas	EVE
Autonomía	40 km *
Velocidad	6 / 15 / 25 km/h **
Tiempo de carga	3.5 h
Estado de carga	Indicación en la pantalla

(*) Autonomía basada en condiciones normales (superficie llana, temperatura de 20° Celsius, peso del usuario de 75 kg, modo Eco)

(**) De acuerdo con las regulaciones específicas del país, la velocidad máxima puede limitarse a 20 km/h.

DECLARACIÓN DE CONFORMIDAD CE

Fabricante:

Micro Mobility Systems Ltd. Bahnhofstrasse 10
8700 Küsnacht
Suiza

Representante autorizado para la recopilación de la documentación técnica:

Micro Mobility Systems Ltd. Bahnhofstrasse 10
8700 Küsnacht
Suiza

Producto:

Patinete eléctrico (Epatinete)
EM0072 - Micro Explorer S Silver 25
EM0076 - Micro Explorer S Silver 20
EM0083 - Micro Explorer S AMG

Número de serie:
XXXXXXXXXXXX

Cargador:
5541 (EU), 5253 (UK), 5255 (US), 5257 (AU)

El producto antes mencionado cumple las siguientes directivas:

- Directiva de máquinas 2006/42/CE
- Directiva CEM 2014/30/UE
- Directiva sobre baja tensión 2014/35/UE
- Directiva RoHS 2011/65/UE

En la inspección se han aplicado las siguientes normas armonizadas:

- | | | |
|---|-----------------------|-------------------|
| ● EN ISO 12100:2010 | Directiva de máquinas | Patinete |
| ● EN61000-6-1:2019 | CEM | Patinete/cargador |
| ● EN55014-1:2017 | CEM | Cargador |
| ● EN55014-2:2015 | CEM | Cargador |
| ● EN61000-3-2:2019 | CEM | Cargador |
| ● EN61000-3-3:2013 | CEM | Cargador |
| ● EN61000-6-3:2021 | CEM | Patinete/cargador |
| ● EN60335-1:2012+A11:2014+A13:2017
+A1:2019+A14 :2019+A2 :2019 | Baja tensión | Patinete/cargador |
| ● EN60335-2-29:2016 | Baja tensión | Cargador |
| ● 2011/65/UE, 2015/863/UE | RoHS | Patinete/cargador |
| ● EC1907/2006 | REACH | Patinete |
| ● EN61558-1:2005+A1:2009 | Baja tensión | Cargador |
| ● EN61558-2-16:2009+A1:2013 | Baja tensión | Cargador |

Otras normas y especificaciones técnicas aplicadas:

- EN17128:2020 Patinete – Vehículos eléctricos ligeros personales (PLEV)
- EN15194:2018 Ciclos – Bicicletas EPAC
- EN62133:2012 Batería

01.07.2022 Küsnacht



Wim Ouboter, CEO

GARANTÍA

Cabe esperar el siguiente servicio de garantía:

- Garantía de dos años para los siguientes componentes del patinete: Base, conjunto delantero completo y pedal del freno. Todas las piezas de desgaste, las piezas pequeñas y los tornillos están excluidos de esta garantía.
- Garantía de un año para la batería o 300 ciclos completos de carga (lo que primero ocurra). Garantizamos una capacidad restante del 60 % de la capacidad nominal original.
- Un año de garantía en los componentes eléctricos: Motor, display, controlador y cable.

Alcance de los servicios de garantía

Sobre la base de esta garantía, Micro se compromete a realizar los siguientes servicios durante los períodos de garantía correspondientes: por decisión de Micro, reparación o sustitución por piezas/componentes equivalentes cuando la sustitución pueda variar del original en términos de modelo y/o color; los servicios excluidos de la garantía y que competen al concesionario, así como la limpieza de los patinetes entregados sucios, serán facturados a la tarifa por hora estándar, incluidos todos los gastos incurridos de materiales y transporte;

- Los servicios ofrecidos en garantía (reparación/sustitución) no amplían la garantía original.
- No proceden las reclamaciones distintas a las antes mencionadas.

TÉRMINOS Y CONDICIONES DE LA GARANTÍA

La garantía no cubre los daños indicados a continuación:

- Daños causados por la no recarga de la batería cuando es necesario.

- Daños causados por el almacenamiento, la carga o el uso fuera del intervalo de temperatura especificado.
- Uso indebido, aplicación inadecuada o conducción negligente (por ejemplo, saltos).
- Modificación indebida por parte de terceros (por ejemplo, apertura de la base).
- Carga indebida (por ejemplo, cargar con un cargador distinto al suministrado).
- Superación de la velocidad máxima de 40 km/h en descenso.
- Modificaciones técnicas del patinete sin el consentimiento del fabricante.
- Posterior conversión/instalación de piezas no compatibles o no originales.
- Piezas de desgaste como los rodamientos de bolas, los cojinetes deslizantes, los tornillos de los rodamientos, etc.
- Incumplimiento de los intervalos de mantenimiento.
- Daños como consecuencia de la falta de ajustes o de la realización de unos ajustes incorrectos, o de la presencia de componentes desgastados.
- Consecuencias de caídas.
- Los daños personales o materiales causados a terceros o los daños materiales que se deriven del uso del patinete.
- Los daños que se deriven del uso de unos agentes limpiadores inadecuados o de utensilios como limpiadores de alta presión o aditivos.
- Daños causados por la negligencia del usuario relacionadas con la protección contra el agua (el patinete eléctrico resiste las salpicaduras, pero no es impermeable).

Cláusula de separabilidad

En caso de que una disposición de esta garantía no tenga o deje de tener validez, o bien presente una laguna legal que deba colmarse, esto no afectará a la efectividad de las demás disposiciones. La disposición inexistente o no válida será sustituida por una disposición que se acerque lo máximo posible a la intención y propósito de la disposición original.

Legislación y jurisdicción aplicables

En caso de disputas relacionadas con esta garantía (también en lo que se refiere a la cuestión de su existencia o validez), queda acordado que la jurisdicción exclusiva corresponde al Tribunal del Cantón de Zúrich. Este contrato de compra está sujeto a la legislación suiza, con la exclusión del Derecho internacional privado y de la Convención de las Naciones Unidas sobre los contratos de compraventa internacionales de mercaderías (Convención de las Naciones Unidas sobre Compraventas).

PERMISO MICRO

Rellene el Permiso micro y guárdelo junto con el recibo de compra.

Propietario

Nombre y apellidos

Calle/número

Código postal

País

Patinete

Número de serie

Modelo

Color

Tamaño de las ruedas

Características especiales

Fecha de compra

Nombre del concesionario

Dirección del concesionario

Precio de compra



REGISTRO DE SERVICIOS

Los mantenimientos del patinete eléctrico deben ser anotados en el registro de servicios. Su patinete eléctrico debe ser revisado por un servicio de asistencia técnica autorizado una vez al año o cada 500 kilómetros.

Tipo de pedido	<input type="checkbox"/> Mantenimiento anual <input type="checkbox"/> Reparación
Fecha de realización	
Realizado por	
Número de pedido	
Trabajos realizados	
Trabajos realizados de pago	
Fecha, firma, sello	

Tipo de pedido	<input type="checkbox"/> Mantenimiento anual <input type="checkbox"/> Reparación
Fecha de realización	
Realizado por	
Número de pedido	
Trabajos realizados	
Trabajos realizados de pago	
Fecha, firma, sello	



1.	Componenti	154
2.	Informazioni generali	
	Traduzione delle istruzioni originali.....	155
	Spiegazione dei termini e dei simboli	156
3.	Uso previsto	157
4.	Istruzioni per la sicurezza	158 - 160
5.	Istruzioni per l'uso	
	Identificativo dell'unità	161
	Usura	161
	Istruzioni per l'uso della batteria	162
	Protezione contro il furto	162
	Trasporto dello scooter elettrico	162
	Conservazione	162
	Cosa fare in caso di caduta o incidente	163
	Pulizia	163
	Riparazione	163
	Istruzioni per lo smaltimento	164
6.	Installazione iniziale	
	Prima del primo utilizzo	165
	Prima di ogni utilizzo	166
7.	Preparazione	
	Spiegamento	167
	Piegamento	168
	Maniglie pieghevoli	169
	Accensione e spegnimento delle luci	169
	Caricamento batteria	170
	Freni	171
	Funzionamento del freno a pedale	171

Funzionamento del freno rigenerativo	172
Utilizzo dello scooter elettrico.....	172
Funzionamento del freno manuale	172
Manopola acceleratore	173
Cruise control.....	173
Programmi preimpostati	173
Selezione dei programmi preimpostati	174
Funzionalità del display spiegata	174

8.

Manutenzione

Manutenzione batterie	175
-----------------------------	-----

9.

Dati tecnici

176

10.

Dichiarazione di conformità

177

11.

Garanzia

Ambito di applicazione garanzia	178
---------------------------------------	-----

12.

Condizioni di garanzia

178

13.

Micro-Pass

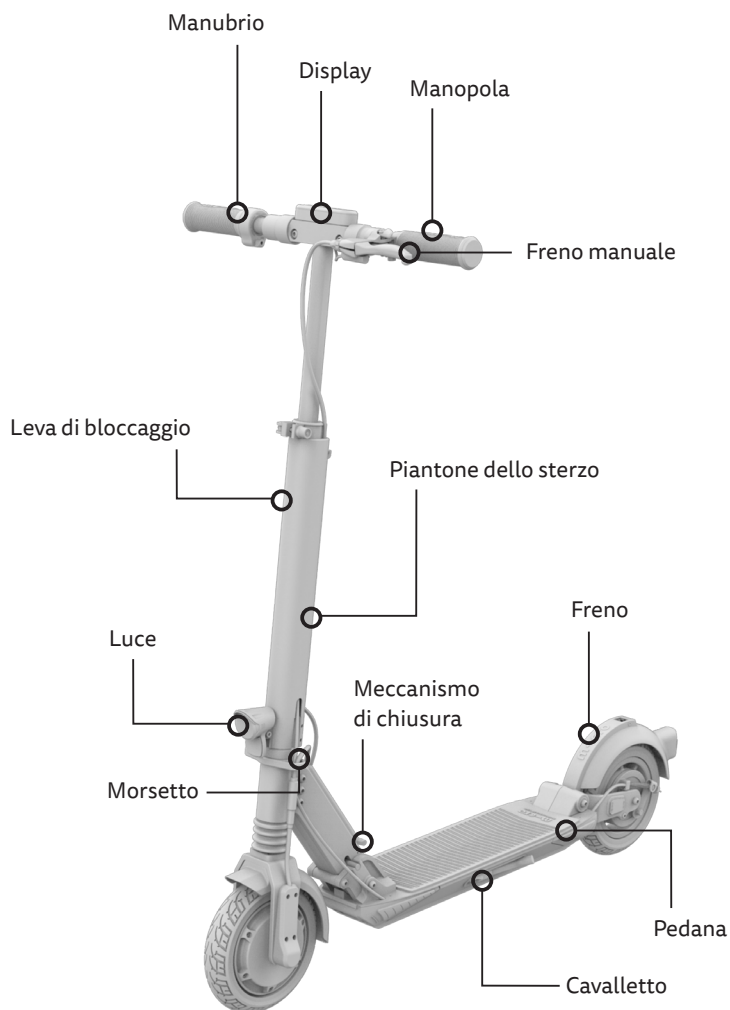
180

14.

Libretto di manutenzione

181

COMPONENTI



INFORMAZIONI GENERALI

Istruzioni per l'uso

Prima di iniziare a utilizzare lo scooter elettrico, è importante leggere attentamente il manuale di istruzioni, soprattutto nella parte relativa alla sicurezza. Durante la guida dello scooter elettrico rispettare il codice stradale, che in Paesi stranieri potrebbe essere diverso. Conservare questo manuale di istruzioni per usi futuri. Se consegnate lo scooter elettrico a un'altra persona, assicuratevi di consegnare anche questo manuale di istruzioni.



Spiegazione dei termini e dei simboli

Lo scopo dei simboli di sicurezza è quello di portare la vostra attenzione a possibili pericoli. Leggete attentamente le spiegazioni e assicuratevi di aver compreso i simboli di sicurezza. Il mancato rispetto delle istruzioni di sicurezza può comportare danni alle cose, a se stessi e a terze parti.

I seguenti simboli e avvertenze vengono utilizzati su questo manuale di istruzioni, sullo scooter elettrico o sulla confezione:



AVVERTENZA

Indica un potenziale rischio **medio**, che può comportare danni fisici gravi o fatali se non rispettato. Questa segnalazione non viene utilizzata per rischi che riguardano unicamente danni materiali.



ATTENZIONE

Indica un potenziale rischio **basso**, che può comportare danni fisici lievi o moderati se non rispettato. Questa segnalazione non viene utilizzata per rischi che riguardano unicamente danni materiali.



NOTA

Indica informazioni e suggerimenti pratici che facilitano un uso ottimale dello scooter elettrico.

USO PREVISTO


- Lo scooter elettrico è stato ideato esclusivamente per l'utilizzo come scooter su strade e percorsi ben definiti.
- Lo scooter elettrico è stato ideato per il trasporto di una persona.
- Lo scooter elettrico è stato realizzato per persone con un peso massimo di 100 kg e con un'altezza massima di 190 cm.
- Assicuratevi di aver letto e compreso il codice stradale del vostro Paese prima di utilizzare lo scooter elettrico.
- Lo scooter elettrico non è idoneo al trasporto di bagagli o bambini.
- Lo scooter elettrico è inteso per un uso privato e non con scopi commerciali.
- Lo scooter elettrico è idoneo a persone di età superiore a 16 anni.
- L'uso previsto include il rispetto delle informazioni contenute nei capitoli "Note sull'uso" e "Manutenzione".
- Utilizzate lo scooter elettrico solo come descritto nel manuale di istruzioni originale. Qualsiasi altro tipo di utilizzo viene considerato non conforme e può comportare incidenti, danni personali o danni materiali.
- La potenza del motore è di 450W. La potenza totale massima accettata dalla batteria durante l'accelerazione è di 500W.

ISTRUZIONI PER LA SICUREZZA



AVVERTENZA

per l'utilizzo dello scooter elettrico

- Non utilizzare lo scooter elettrico se non si ha una piena familiarità con il suo funzionamento e le sue impostazioni.
- Lo scooter non deve essere utilizzato da persone con capacità fisiche, mentali o sensoriali limitate o con mancanza di esperienza e competenza.
- I bambini non possono occuparsi di utilizzo, pulizia e manutenzione dello scooter elettrico.
- Il freno elettronico aggiuntivo (freno motore) può portare a una distanza di frenata più corta. Siete pregati di considerare che il freno motore non funziona se:
 - la batteria è scarica o se state guidando con la sola forza del corpo.
- Evitare la guida in penombra o con scarsa illuminazione.
- Per una visibilità e una sicurezza ottimali lasciare sempre le luci accese.
- Indossare sempre i dispositivi protettivi adatti. 
- Assicurarsi di indossare un caschetto da bici omologato e della misura giusta, anche se non legalmente obbligatorio.
- Indossare sempre le scarpe.
- Evitare discese ripide perché possono comportare cadute.
- Fare sempre attenzione alle altre persone. Una condotta scorretta degli altri può portare a danni e incidenti.
- Guidare sempre delicatamente e prestare particolare attenzione alle condizioni

della strada. Condizioni stradali imprevedibili, come la scivolosità o il fogliame, possono aumentare il rischio di sbandamento.

- Non saltare con lo scooter e assicurarsi sempre di evitare buche, cordoli e altri ostacoli.
- Non toccare il freno dopo una frenata intensa perché potrebbe essere caldo.
- Se in condizioni metereologiche umide o durante la pulizia lo scooter elettrico viene esposto all'umidità, potrebbe comprometersi la reattività del sistema di frenata. Guidare lo scooter in un luogo sicuro per asciugare i freni dopo la pulizia.
- Non lasciare lo scooter elettrico in aree abitate o vicino a oggetti infiammabili.
- Tenere sempre il manubrio con entrambe le mani ed entrambi i piedi sulla tavola in una posizione stabile e confortevole.
- Quando si usa il pedale del freno posteriore, usare solo un piede e lasciare l'altro piede sulla tavola per mantenere il giusto equilibrio quando si maneggia lo scooter.
- Attenzione alle dita intrappolate e ad altre parti del corpo quando si piegano e si srotolano lo scooter e quando si piegano e si srotolano le maniglie dello scooter.
- L'alimentazione dello scooter deve essere spenta prima di effettuare qualsiasi lavoro di manutenzione o di regolazione.



AVVERTENZA

per gli accessori e le modifiche

- Modificare lo scooter elettrico o installare accessori erroneamente può mettere in pericolo la vostra sicurezza.
- L'utilizzo di accessori non autorizzati può comportare gravi lesioni o danneggiare lo scooter elettrico.
- È vietato personalizzare o modificare lo scooter.
- Non appendere oggetti come borse al manico, perché possono avere effetti negativi sulla manovrabilità.



AVVERTENZA

per l'utilizzo della batteria

- Assicuratevi di caricare la batteria solo con il caricatore fornito e solo a una temperatura tra i 5° e i 25° Celsius.
- Seguire le istruzioni sulla sicurezza della batteria.
- Non caricare mai la batteria senza sorveglianza.
- Durante la ricarica della batteria, assicurarsi che la spina sia correttamente inserita, che ci sia un'adeguata ventilazione e un ambiente asciutto.
- Il caricatore, il generatore e i cavi di collegamento non devono mai entrare in contatto con l'acqua, che potrebbe causare una scossa elettrica. Non toccare la batteria e il caricatore con le mani bagnate.
- Controllare la spina e il caricatore a intervalli regolari. In caso di danni, devono essere sostituiti.
- Conservate la batteria a una temperatura tra i 5° e i 25° Celsius.
- Tenere sempre la batteria fuori dalla portata dei bambini e degli animali.
- Qualsiasi riparazione e manutenzione della batteria o del caricatore deve essere effettuata da uno specialista.



AVVERTENZA

per le impostazioni,
la manutenzione e la riparazione

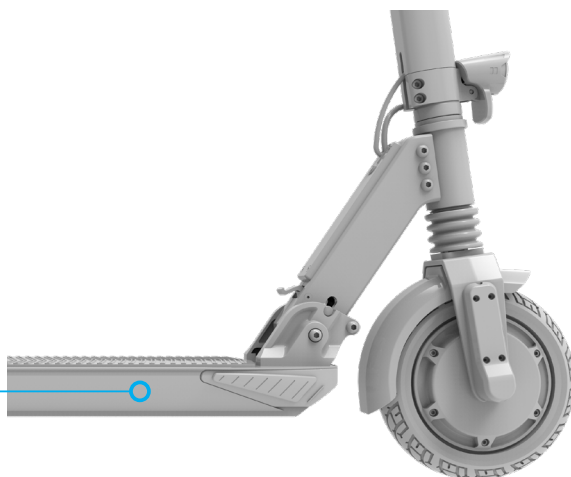
- Un serraggio sbagliato delle viti può causare un affaticamento del materiale. Quando sono soggette a uno stress eccessivo, le viti si allentano e possono rompersi. Questo aumenta il rischio di incidenti e lesioni. Per serrare le viti, usare sempre una chiave dinamometrica.
- Consultare sempre uno specialista per riparazioni al sistema di guida.

ISTRUZIONI PER L'USO

Identificativo dell'unità

- Il numero di serie si trova sul lato destro del mazzo.

XXXXXXXXXXXX



- Maggiori informazioni sul vostro scooter potete trovarle sull'etichetta adesiva apposta sullo scooter.

Usura

L'utilizzo dello scooter elettrico porta a un normale processo di usura. Per garantire l'uso sicuro in ogni momento, leggere il capitolo Manutenzione, rispettare gli intervalli di manutenzione e farli registrare nel libretto di manutenzione da un centro servizi autorizzato. Inoltre, seguire le istruzioni nella sezione "Prima di ogni utilizzo" ogni volta che viene acceso lo scooter elettrico.

Istruzioni per l'uso della batteria

La batteria agli ioni di litio incorporata è un prodotto high-tech che offre prestazioni eccellenti con una corretta gestione e manutenzione. Leggere e seguire la sezione Caricamento batteria nel capitolo Preparazione e le istruzioni di Manutenzione batteria nel capitolo Manutenzione.

Protezione contro il furto

Assicurarsi di non lasciare mai il vostro scooter elettrico senza sorveglianza e proteggerlo dal furto con un lucchetto adatto. È possibile utilizzare un lucchetto da bicicletta disponibile in commercio per bloccare il vostro scooter elettrico nel punto della ruota posteriore.

Trasporto dello scooter elettrico

Le batterie sono soggette alle normative in materia di merci pericolose. Il trasporto da parte di terze persone (es. trasporto aereo o corrieri) deve rispettare particolari condizioni sul packaging e l'etichettatura. In caso di spedizione, contattare un esperto di merci pericolose. Non trasportare o spedire batterie danneggiate.

Requisiti di viaggio: Si prega di verificare con la propria compagnia aerea e le leggi locali.

Conservazione

Non lasciare il vostro scooter alla luce diretta del sole o a un clima freddo per un periodo di tempo prolungato. La temperatura ideale di conservazione per il vostro scooter e la batteria è tra i 15° e i 20° Celsius. Non riporre il vostro scooter elettrico in zone abitate, ma solo in garage.

Cosa fare in caso di caduta o incidente

Dopo una caduta o un incidente, portare lo scooter elettrico in un centro servizi autorizzato e fare controllare eventuali danni.

Pulizia

Per prevenire la corrosione delle viti e una inutile usura, si raccomanda di pulire e asciugare accuratamente il prodotto ogni tre mesi e dopo ogni utilizzo con la pioggia. Dopo la pulizia, risciacquare lo scooter con acqua pulita per rimuovere qualsiasi traccia di detergente. Quindi asciugare lo scooter con un panno.



NOTA

Utilizzare detergenti specifici, prodotti di pulizia e una spugna morbida. Non utilizzare mai solventi ed evitare di pulire lo scooter direttamente sotto l'acqua corrente.

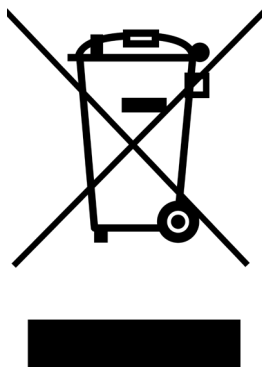
Riparazione

Tutte le riparazioni devono essere effettuate da un rivenditore o da un centro servizi autorizzato. Non eseguire da soli nessuna riparazione sui componenti elettrici. Solo uno specialista può aprire gli alloggiamenti dei componenti elettrici incorporati.

Istruzioni per lo smaltimento

Fare attenzione all'ambiente durante lo smaltimento e osservare le seguenti istruzioni:

- Smaltire lo scooter elettrico e i relativi componenti (es. batteria) in un centro di smaltimento abilitato oppure negli impianti di raccolta locali.
- Osservare le disposizioni vigenti. In caso di dubbio, consultare il vostro impianto di raccolta per uno smaltimento rispettoso dell'ambiente. Le batterie e gli apparecchi elettrici non devono essere smaltiti insieme ai rifiuti domestici!



INSTALLAZIONE INIZIALE

Prima del primo utilizzo

- Controllo della fornitura:
 - Scooter, Caricatore e cavo di alimentazione, istruzioni per l'uso
- Alla fine di questo manuale di istruzioni troverete il micro-Pass. Compilate interamente il micro-Pass e riponetelo insieme alla fattura di acquisto. Il micro-Pass permette un'elaborazione agevole delle riparazioni e dei problemi sulla garanzia.
- Al momento della consegna, la batteria è caricata solo parzialmente. Prima del primo utilizzo, caricare completamente la batteria utilizzando il caricatore fornito.

Prima di ogni utilizzo

Lo scooter elettrico deve essere revisionato prima di ogni utilizzo. Il veicolo viene consegnato dal produttore pronto per l'uso. Durante il trasporto e nei periodi di inutilizzo, possono verificarsi difetti che potenzialmente compromettono la funzionalità del veicolo. Fare sempre attenzione ai seguenti punti prima di utilizzarlo per la prima volta e prima di ogni utilizzo:

Elemento da verificare	Contenuto della verifica
Luci	Le luci sono accese?
Condizioni generali	Tutte le viti sono saldamente serrate e tutti i componenti fissati?
Freni	I freni sono impostati correttamente e funzionanti?
Meccanismo di chiusura	Il meccanismo di chiusura si è incastrato correttamente e la leva di bloccaggio è chiusa e saldamente fissata?
Stato della carica della batteria	La batteria è sufficientemente caricata?
Modalità impostata	Quale modalità è attualmente impostata?
Micro App	Scaricate l'App "Micro Mobility" da Android o iOS

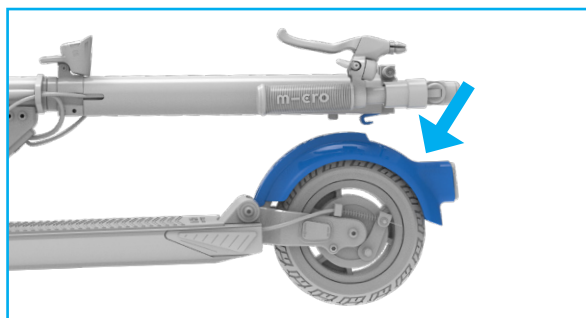
È indispensabile controllare l'usura dei pneumatici e la tenuta delle viti prima di ogni utilizzo.

PREPARAZIONE

Spiegamento

Il vostro scooter elettrico è consegnato chiuso. In pochi semplici passaggi, potrete aprirlo e guidarlo. I seguenti punti spiegano come aprire lo scooter.

1. Premere verso il basso il pedale del freno posteriore per rilasciare il gancio per tubo anteriore.

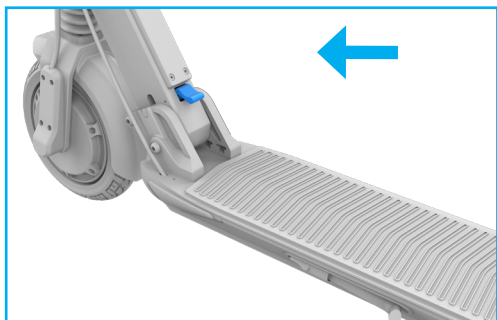


2. Tirare verso l'alto il tubo anteriore finché non viene udito uno scatto. Il bullone sul blocco pieghevole è ora posizionato correttamente.



Piegamento

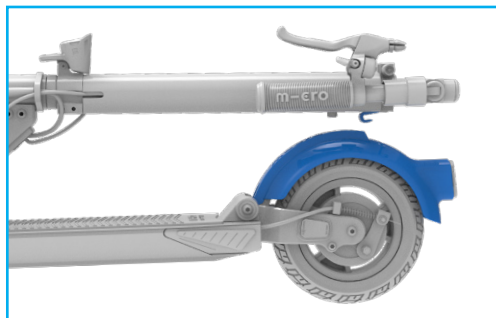
1. Per piegare lo scooter, premere verso il basso la leva blu con il piede mentre si applica pressione sul manubrio nella direzione di viaggio.



2. Lo scooter ha il cavalletto. Si può usare il cavalletto o piegare parzialmente lo scooter per farlo rimanere in posizione verticale.

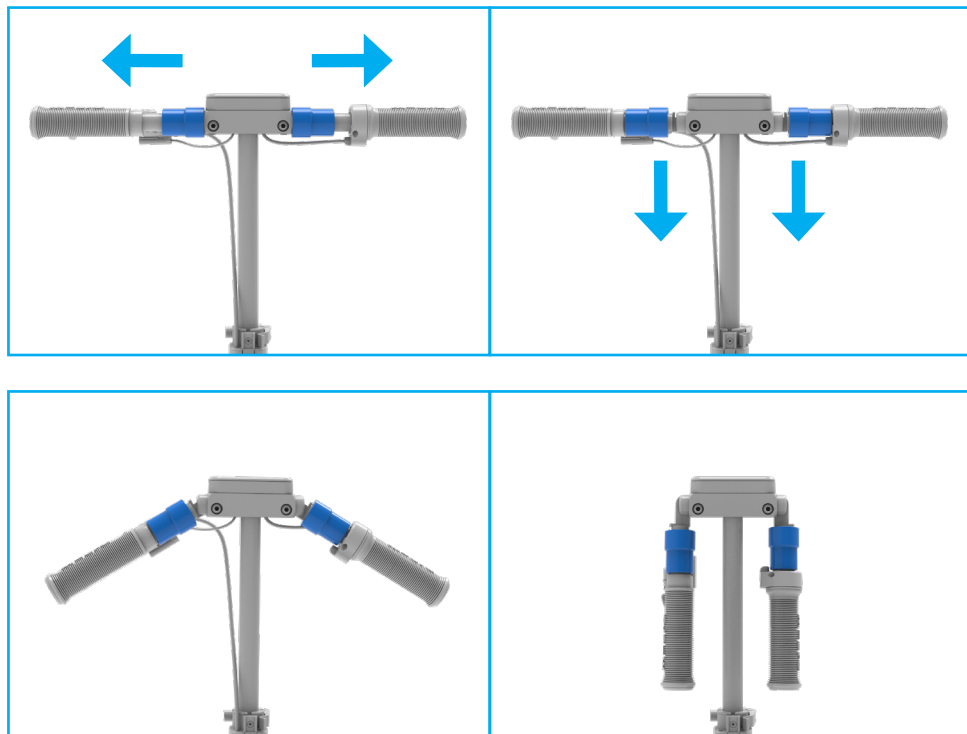


3. Far scattare il gancio sul tubo verticale affinché si posizioni nel pedale del freno posteriore.



Maniglie pieghevoli

È possibile piegare le maniglie dello scooter per conservarlo in maniera compatta. Per fare ciò, tirare verso l'esterno le maniglie in maniera orizzontale e piegarle verso il basso. Per spiegarle, spingerle lievemente verso l'alto e si rimetteranno direttamente in posizione.



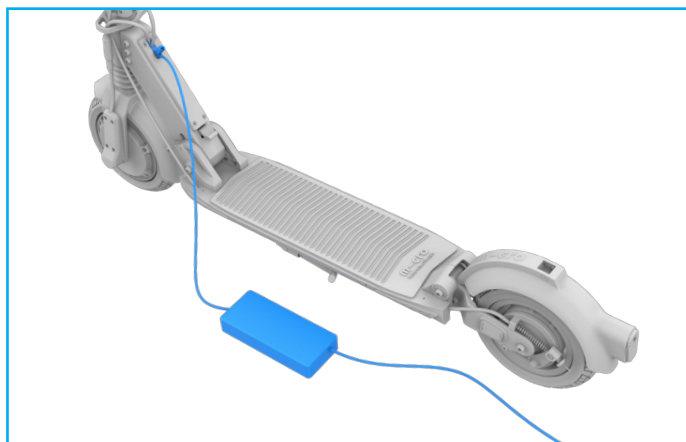
Accensione e spegnimento delle luci

- Per accendere / spegnere la luce, premere il pulsante luce (secondo pulsante dal lato destro del display).

Caricamento della batteria

I seguenti passaggi descrivono il processo di caricamento:

- Connettere lo scooter elettrico al caricatore.
- Connettere il caricatore a una presa elettrica. Capite che il caricatore e lo scooter sono collegati correttamente quando il display LED dell'alimentatore diventa rosso (potrebbe impiegare qualche secondo).
- Quando la carica dello scooter è completa, il display a LED sul caricatore emette una luce verde.



- Seul les chargeurs Micro sont adaptés pour recharger les trottinettes électriques Micro.
- Pour une meilleure étanchéité, veiller à bien refermer le cache de protection du connecteur de charge après chaque utilisation.

 : charger ref.: 5541 (EU), 5253 (UK), 5255 (US), 5257 (AU).



AVVERTENZA

Le batterie installate sono batterie agli ioni di litio ricaricabili. Non ricaricare mai batterie non idonee a essere ricaricate.

Freni

Quando possibile, per frenare utilizzate più freni contemporaneamente. Alternate i freni durante le lunghe discese per evitare il surriscaldamento.

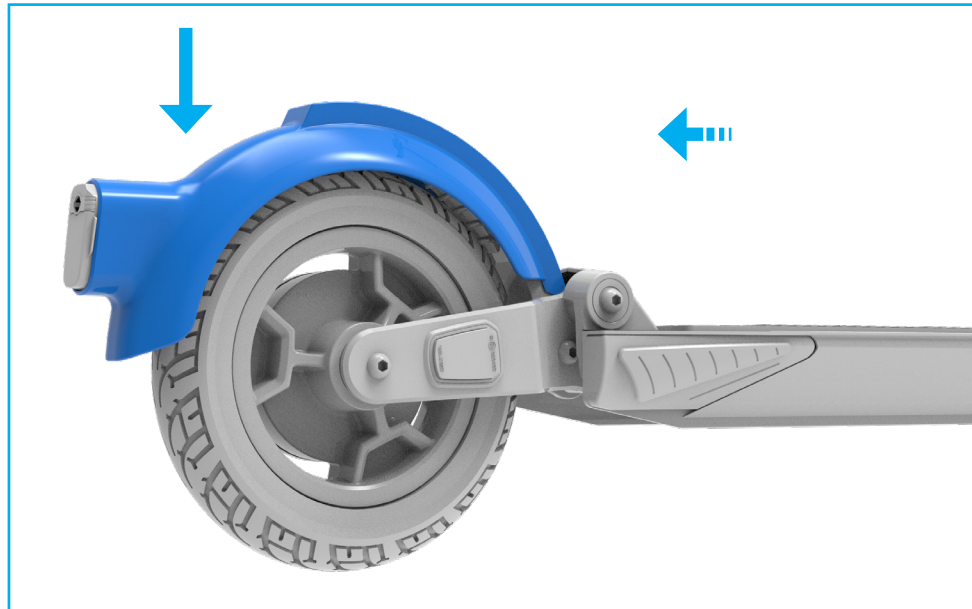


AVVERTENZA

Guidare su superfici bagnate o umide può comportare una distanza di frenata più lunga. Fare attenzione e limitare la velocità su superfici scivolose o sconnesse.

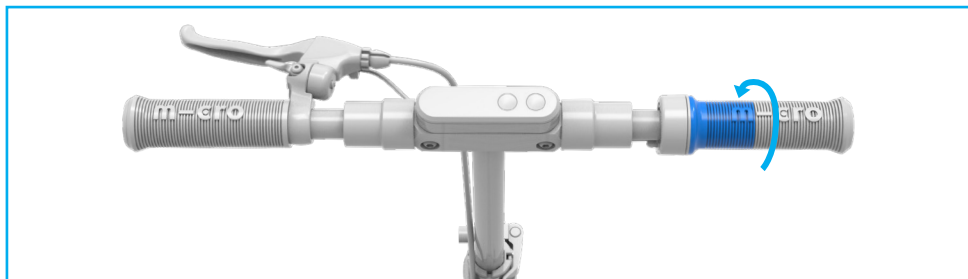
Funzionamento del freno a pedale

Durante la frenata, sbilanciare il peso del corpo in modo che il centro di gravità sia spostato verso la ruota posteriore per ottenere una migliore frenata. Spostare il vostro peso indietro/in basso riduce sensibilmente la distanza di frenata. L'utilizzo del freno a pedale attiva automaticamente il freno motore.



Funzionamento del freno rigenerativo

Per attivare il freno rigenerativo (freno motore), ruotate la manopola dell'acceleratore fino alla posizione zero nella direzione di marcia. Sentirete immediatamente la sensazione del freno motore elettrico.



Guida dello scooter elettrico



AVVERTENZA

Guidare lentamente per abituarsi a questa nuova sensazione, soprattutto se è la prima volta. Ricordare sempre che guidare ad alta velocità sullo scooter elettrico comporta una distanza di frenata più lunga.

Funzionamento del freno manuale

Per attivare il freno manuale (freno a tamburo sulla ruota posteriore), tirate la leva manuale a sinistra. L'utilizzo del freno manuale attiva automaticamente anche il freno motore.



Manopola acceleratore

Lo scooter elettrico possiede una manopola acceleratore (lato destro) per regolare la velocità. Per iniziare, dare una spinta per terra con il proprio piede e ruotare l'acceleratore verso il corpo per far accelerare lo scooter.



Programmi preimpostati

Il vostro scooter elettrico è dotato di diversi programmi preimpostati. Per esempio, la modalità Eco vi consente di percorrere comodamente lunghe distanze mentre la modalità Sport vi permette di scalare velocemente le montagne.

Programma preimpostato	Indicazione programma sul display	Velocità massima*
Modalità Pedestrian	1.	6 km/h
Modalità Eco	2.	15 km/h
Modalità Standard	3.	20 km/h
Modalità Sport	4.	25km/h

* In base alle normative specifiche per paese, la velocità massima può essere limitata a 20 km/h.



NOTA

Lo scooter elettrico non è approvato per un uso generale sulle strade pubbliche. Ogni Paese ha le proprie normative e i propri divieti nell'uso di veicoli elettrici in mezzo al traffico stradale (soprattutto in termini di velocità massima, prestazioni e strade autorizzate). Informatevi di persona in modo dettagliato sulle linee guida applicabili nel vostro Paese.

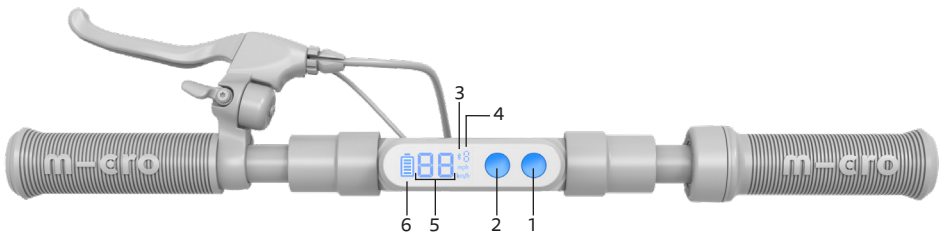
Selezione dei programmi preimpostati

È possibile passare da un programma di guida all'altro facendo clic sul pulsante di accensione / spegnimento e selezione modalità.

Interfaccia e funzioni del display

La seguente illustrazione mostra le diverse posizioni sul display.

- Il numero (1-4) nella parte alta dello schermo mostra il modalità di guida selezionata.
- I grandi numeri sul lato sinistro mostrano la velocità corrente.
- L'icona della batteria sulla sinistra mostra lo stato attuale della carica della tua batteria.



- 1. Pulsante ON/OFF e selezione modalità:**
 - ON/OFF: premere per 3 secondi
 - Modalità (1-4): premere brevemente
- 2. Pulsante luminoso:**
 - Light ON/OFF: premere brevemente
- 3. Connettività dell'APP**
- 4. Modalità (1-4)**
- 5. Velocità**
- 6. Livello batteria**

MANUTENZIONE

Per garantire un funzionamento di lunga durata del vostro scooter elettrico, è necessario farlo revisionare una volta all'anno oppure ogni 500 chilometri (la situazione che si verifica per prima) in un rivenditore o in un centro servizi autorizzati. Fornite al centro servizi il libretto di manutenzione e assicuratevi che la manutenzione venga registrata correttamente.

- Nous vous recommandons de bien entretenir vos roulements avec un lubrifiant adapté pour une glisse parfaite et en toute sécurité.
- Le frein tambour doit être vérifié régulièrement et sa tension réglée pour un usage en toute sécurité.
- Tout entretien et réparation doit se faire avec les pièces d'origine fournies par Micro Mobility.



NOTA

Dopo aver utilizzato lo scooter elettrico per le prime 5 ore, controllare se tutte le viti sono fissate e, se necessario, serrare quelle un po' lente.

Manutenzione batterie

Seguire le istruzioni di manutenzione per garantire una lunga durata del pacco batteria.

- Conservare le batterie a una temperatura tra i 5° e i 25° Celsius.
- Subito dopo l'acquisto, caricare completamente la batteria.
- Caricate completamente la batteria ogni tre mesi se lo scooter non viene utilizzato.
- La batteria deve essere ricaricata entro tre giorni se viene scaricata completamente.



NOTA

I danni causati da una mancata osservanza di queste istruzioni non sono coperti da garanzia.

DATI TECNICI

	Micro Explorer S
Numero articolo	EM0072, EM0076, EM0083
Dimensioni ruota (anteriore/posteriore)	200 / 200 mm
Peso	14.7 kg
Manopola acceleratore	✓
Freno ruota anteriore e posteriore	✓
Fanale posteriore	✓
Fanale anteriore	✓
Prestazione (potenza massima)	500 Watt
Materiale ruota	Gomma
Altezza dello sterzo	1095 mm
Altezza totale	1028 mm
Batteria	36 V / 9,6 Ah / 345 Wh
Celle	EVE
Distanza	40 km *
Velocità	6 / 15 / 25 km/h **
Tempo di ricarica	3.5 h
Stato della carica	Indicazione sul display

(*) autonomia basata su condizioni normali (superficie piana, temperatura di 20° celsius, 75 kg di peso del motociclista, modalita Eco)

(**) In base alle normative specifiche per paese, la velocità massima può essere limitata a 20 km/h.

DICHIARAZIONE DI CONFORMITÀ CE

Produttore:

Micro Mobility Systems Ltd. Bahnhofstrasse 10
8700 Küsnacht
Svizzera

Rappresentante autorizzato per la compilazione della documentazione tecnica:

Micro Mobility Systems Ltd. Bahnhofstrasse 10
8700 Küsnacht
Svizzera

Prodotto:

Scooter elettrico (E-scooter)
EM0072 - Micro Explorer S Silver 25
EM0076 - Micro Explorer S Silver 20
EM0083 - Micro Explorer S AMG

Numero di serie:
XXXXXXXXXXXX

Caricatore:
5541 (EU), 5253 (UK), 5255 (US), 5257 (AU)

Questo prodotto è conforme alle seguenti direttive:

- Direttiva Macchine 2006/42/CE
- Direttiva EMC 2014/30/UE
- Direttiva LVD 2014/35/UE
- Direttiva RoHS 2011/65/UE

Durante l'ispezione sono state applicate le seguenti norme armonizzate:

- EN ISO 12100:2010 Direttiva Macchine Scooter
- EN61000-6-1:2019 EMC Scooter/Caricatore
- EN55014-1:2017 EMC Caricatore
- EN55014-2:2015 EMC Caricatore
- EN61000-3-2:2019 EMC Caricatore
- EN61000-3-3:2013 EMC Caricatore
- EN61000-6-3:2021 EMC Scooter/Caricatore
- EN60335-1:2012+A11:2014+A13:2017
+A1:2019+A14 :2019+A2 :2019 Scooter/Caricatore
- EN60335-2-29:2016 LVD Caricatore
- 2011/65/UE, 2015/863/UE RoHS Scooter/Caricatore
- CE1907/2006 REACH Scooter
- EN61558-1:2005+A1:2009 LVD Caricatore
- EN61558-2-16:2009+A1:2013 LVD Caricatore

Altri standard e specifiche tecnici applicati:

- EN17128:2020 Scooter – Veicoli elettrici leggeri personali (PLEV)
- EN15194:2018 Cicli – biciclette EPAC
- EN62133:2012 Batteria

01.07.2022 Küsnacht



Wim Ouboter, AD

GARANZIA

Sono previsti i seguenti servizi di garanzia:

- Due anni di garanzia sui componenti dello scooter: Pedana, gruppo anteriore completo e pedale del freno. Tutte le parti soggette a usura, i componenti piccoli e le viti sono esclusi da questa garanzia.
- Un anno di garanzia sulla batteria o su 300 cicli di ricarica (la situazione che si verifica per prima). Garantiamo una capacità residua del 60% rispetto alla capacità nominale iniziale.
- Un anno di garanzia sui componenti elettrici: Motore, display, controller e cavo.

Ambito di applicazione garanzia

Secondo questa garanzia, Micro si impegna a svolgere i seguenti servizi durante i rispettivi periodi di garanzia: a discrezione di Micro, la riparazione o la sostituzione con parti/componenti equivalenti, anche se la parte sostituita potrebbe variare in termini di modello e/o colore;

i servizi che non rientrano in questa garanzia ma che rientrano nelle capacità del rivenditore, così come la pulizia dello scooter consegnato sporco, verranno addebitati alla tariffa oraria standard inclusi tutti i costi accessori relativi a materiali e trasporto;

- Qualunque servizio somministrato in garanzia (riparazione/sostituzione) non estende la garanzia originale.
- Qualunque reclamo al di fuori di quelli già menzionati non verrà applicato.

TERMINI E CONDIZIONI DELLA GARANZIA

La garanzia non copre i danni derivanti da:

- Mancata ricarica della batteria quando richiesto.

- Conservazione, ricarica o utilizzo al di fuori dell'intervallo di temperature indicato.
- Utilizzo improprio, applicazione inappropriata o uso negligente (es. salti).
- Alterazione impropria da terze parti (es. apertura della pedana).
- Ricarica impropria (es. utilizzo di un caricatore diverso da quello fornito).
- Superamento della velocità massima di 40 km/h in discesa.
- Modifiche tecniche allo scooter senza il consenso del produttore.
- Conseguente conversione/installazione di parti non compatibili o non originali.
- Parti soggette a usura come cuscinetti a sfera, cuscinetti radenti, perni di supporto, viti di fissaggio, ecc.
- Mancata osservanza degli intervalli di manutenzione.
- Impostazioni mancanti o sbagliate o a componenti usurati.
- Cadute.
- Qualunque danno a cose o persone derivante dall'utilizzo dello scooter.
- Detergenti non adatti, macchinari come idropulitrici o additivi.
- Negligenza relativa alla protezione dall'acqua (lo scooter elettrico è resistente agli schizzi ma non è impermeabile).

Clausola salvatoria

Se qualsiasi disposizione della presente garanzia è o diventa invalida o ha una lacuna che deve essere colmata, questa non ha l'effetto di invalidare le restanti disposizioni. Qualunque disposizione mancante o invalida deve essere sostituita con una disposizione che deve essere il più vicino possibile all'intento e allo scopo di quella iniziale.

Legge applicabile e foro competente

Il foro competente per qualsiasi controversia risultante da questa garanzia (anche per quanto riguarda la sua esistenza o la sua validità) è quello del Cantone di Zurigo. Questo contratto di acquisto è soggetto alla legge svizzera con esclusione delle norme di conflitto e della Convenzione delle Nazioni Unite nei contratti per la vendita internazionale di merci (Convenzione sulle vendite delle Nazioni Unite).

MICRO-PASS

Compilate interamente il micro-Pass e conservatelo insieme alla fattura di acquisto.

Proprietario

Nome e cognome

Via / Numero civico

Codice postale

Paese

Scooter

Numero di serie

Modello

Colore

Dimensioni ruota

Caratteristiche speciali

Data di acquisto

Nome rivenditore

Indirizzo rivenditore

Prezzo di acquisto



LIBRETTO DI MANUTENZIONE

Qualunque manutenzione dello scooter elettrico deve essere registrata in questo libretto di manutenzione. Il vostro scooter elettrico deve essere revisionato da un centro servizi autorizzato una volta all'anno oppure ogni 500 chilometri.

Tipo di ordine	<input type="checkbox"/> Manutenzione annuale <input type="checkbox"/> Riparazione
Data di esecuzione	
Eseguito da	
Numero di ordine	
Lavori eseguiti	
Eseguiti a pagamento	
Data, firma e timbro	

Tipo di ordine	<input type="checkbox"/> Manutenzione annuale <input type="checkbox"/> Riparazione
Data di esecuzione	
Eseguito da	
Numero di ordine	
Lavori eseguiti	
Eseguiti a pagamento	
Data, firma e timbro	



СОДЕРЖАНИЕ

1.	Компоненты	184
2.	Общая информация	
	Оригинальное руководство по эксплуатации	185
	Пояснение терминов и символов.....	186
3.	Предназначение	187
4.	Инструкции по безопасности	188 – 190
5.	Инструкции пользователя	
	Идентификация устройства.....	191
	Износ.....	191
	Инструкции пользования аккумулятором	192
	Защита от угона	192
	Транспортировка электрического скутера	192
	Хранение	192
	Действия при падении или несчастном случае	193
	Очистка	193
	Ремонт	193
	Инструкции по утилизации.....	194
6.	Начальная настройка	
	Перед началом эксплуатации	195
	Перед каждой поездкой.....	196
7.	Эксплуатация	
	Раскладывание	197
	Складывание	198
	Складной руль.....	199
	Включение/выключение фар	199
	Зарядка аккумулятора	200
	Тормоза.....	201
	Ножной тормоз	201

Регенеративный тормоз.....	202
Передвижение на электрическом скутере.....	202
Ручной тормоз.....	202
Твист ускорения дроссельной заслонки.....	203
Система автоматического поддержания заданной скорости.....	203
Программы движения.....	203
Настройка программ движения.....	204
Пояснение функций дисплея.....	204

8. Техническое обслуживание

Техническое обслуживание аккумулятора.....	205
--	-----

9. Технические данные 206

10. Декларация о соответствии 207

11. Гарантия 208

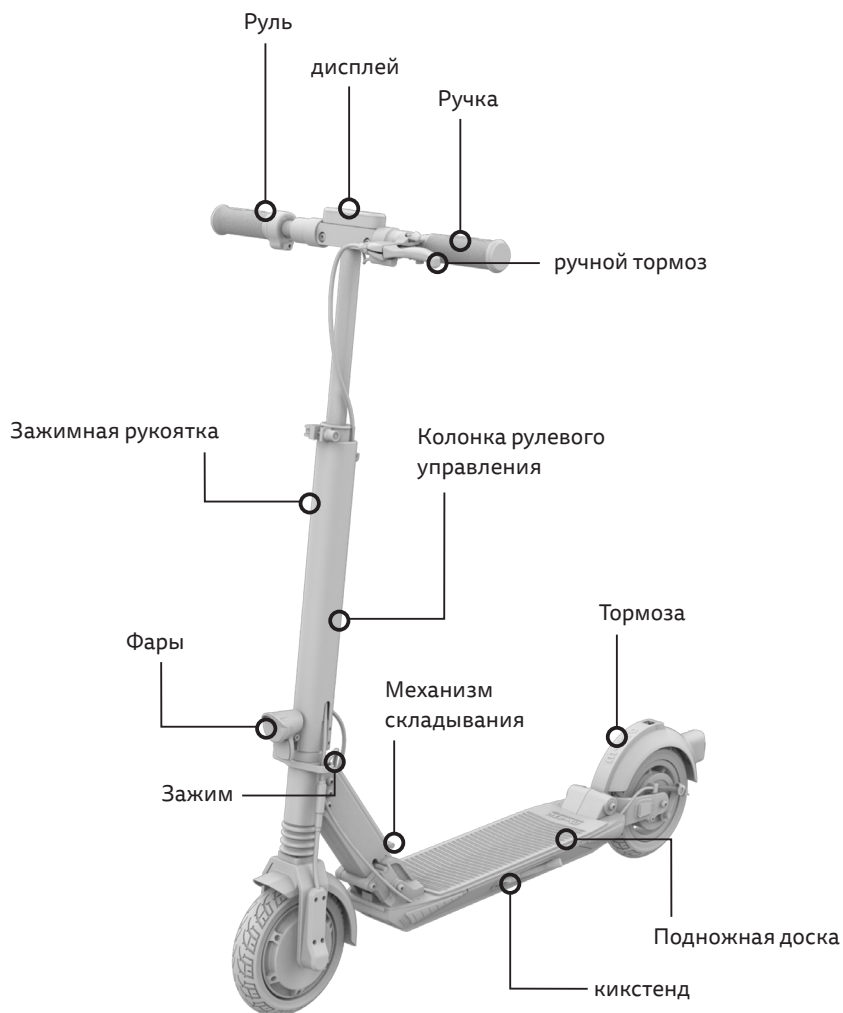
Список гарантийных услуг.....	208
-------------------------------	-----

12. Гарантийные условия 208

13. Талон micro 210

14. Предоставленные услуги 211

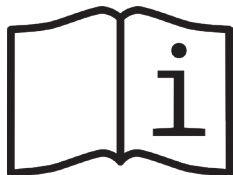
КОМПОНЕНТЫ



ОБЩАЯ ИНФОРМАЦИЯ

Руководство пользователя

Перед началом использования электрического скутера внимательно ознакомьтесь с руководством пользователя, особенно с инструкциями по безопасности. Также ознакомьтесь с правилами дорожного движения для электрических скутеров, которые действуют в других странах и могут отличаться друг от друга. Сохраните данное руководство пользователя для дальнейшего использования. Если вы передаете электрический скутер третьей стороне, передайте также и данное руководство пользователя.



Пояснение терминов и символов

Цель символов безопасности — обратить ваше внимание на возможные опасности. Внимательно прочтите пояснение и убедитесь, что понимаете символы безопасности. Несоблюдение инструкций по безопасности может привести к травмам пользователя или травмированию посторонних лиц, а также повреждению имущества.

В данном руководстве пользователя, на электрическом скутере или на упаковке используются следующие символы и сигнальные слова:



МЕРЫ ПРЕДОСТОРОЖНОСТИ

Означает потенциальную опасность **средней степени риска**, которая в случае игнорирования может привести к серьезным или фатальным физическим травмам. Данное сигнальное слово не используется для обозначения рисков, означающих только материальное повреждение.



ВНИМАНИЕ!

Означает потенциальную опасность **низкой степени риска**, которая в случае игнорирования может привести к небольшим или умеренным персональным травмам. Данное сигнальное слово не используется для обозначения рисков, означающих только материальное повреждение.



ПРИМЕЧАНИЕ

Полезная информация и рекомендации, которые упрощают оптимальное использование электрического скутера.

ПРЕДНАЗНАЧЕНИЕ

- Электрический скутер предназначен для использования исключительно на отведенных для скутера дорогах и путях.
- Электрический скутер предназначен для использования одним человеком.
- Электрический скутер разработан для людей с максимальным весом в 100 кг и максимальным ростом в 190 см.
- Убедитесь, что перед началом использования электрического скутера вы ознакомились с правилами дорожного движения, действующими в вашей стране.
- Электрический скутер не подходит для перевозки багажа или детей.
- Электрический скутер предназначен для личного использования, а не для коммерческих целей.
- Электрический скутер подходит только для людей старше 16 лет.
- Предназначение также включает соответствие информации, указанной в разделах «Примечание к использованию» и «Техническое обслуживание».
- Используйте электрический скутер только согласно рекомендациям, указанным в данном руководстве пользователя. Любое другое использование считается несоответствующим и может привести к несчастным случаям, персональной травме или повреждению имущества.
- Мощность мотора составляет 450 Вт. Во время ускорения максимальная допустимая мощность для батареи составляет 500 Вт.

ИНСТРУКЦИИ ПО БЕЗОПАСНОСТИ



МЕРЫ ПРЕДОСТОРОЖНОСТИ

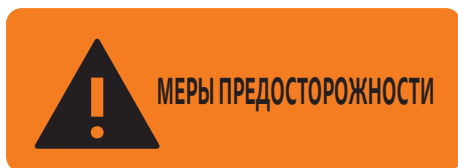
по использованию электрического скутера

- Не используйте электрический скутер, если вы не совсем знакомы с принципом его работы и его функциями.
- Скутер не должны использовать люди с ограниченными физическими, органолептическими или умственными способностями, а также люди, имеющие небольшой опыт.
- Дети не должны использовать, чистить и обслуживать электрический скутер.
- Дополнительные электронные тормоза (тормоза двигателя) могут сократить тормозной путь. Помните, что тормоза двигателя не работают, если...
 - аккумулятор разряжен и вы движетесь только с помощью физической силы.
- Избегайте движения в сумерках или в условиях плохого освещения.
- Для максимальной видимости и безопасности всегда управляйте скутером с включенными фарами.
- Всегда надевайте соответствующее защитное снаряжение.
- Не забывайте надевать подходящий шлем, даже если для этого нет обязательного законодательного требования.
- Всегда носите обувь.
- Избегайте крутых спусков, поскольку они могут привести к падению.
- Всегда обращайте внимание на других участников дорожного движения. Нарушение правил по отношению к другим участникам может привести к несчастным случаям и травмам.
- Всегда двигайтесь аккуратно и обращайте внимание на условия на дороге.



Непредсказуемые дорожные условия, например скользкая поверхность или растительность, могут увеличить риск заноса.

- Не прыгайте вместе со скутером и всегда старайтесь избегать ям, бордюров и других препятствий.
- Не прикасайтесь к тормозам после их продолжительной работы: они могут быть горячими.
- Если электрический скутер намок в результате влажной погоды или чистки, то влага может повлиять на работу тормозной системы. Используйте скутер в безопасном месте, чтобы тормоза высохли после чистки.
- Не храните электрический скутер в жилых помещениях или рядом с легковоспламеняющимися предметами.
- Всегда держитесь за руль двумя руками и стойте на подножной доске двумя ногами в удобном и устойчивом положении.
- Нажимайте на педаль заднего тормоза только одной ногой; держите вторую ногу на подножной доске для поддержания равновесия во время управления самокатом.
- Будьте осторожны во время складывания и раскладывания руля самоката во избежание защемления пальцев.
- Перед проведением работ по обслуживанию или регулировке самоката необходимо отключить его питание.



**по использованию комплектующих
и переустройству**

- Не вносите технические изменения и не устанавливайте ненадлежащие комплектующие на электрический скутер, поскольку это поставит вашу безопасность под угрозу.
- Использование ненадлежащих комплектующих может вызвать серьезные травмы или повреждение электрического скутера.
- «Адаптация» или «тюнинг» электрического скутера запрещен.
- Не вешайте предметы, например, сумки, на руль, поскольку это приведет к нежелательным последствиям в характеристиках управления.



МЕРЫ ПРЕДОСТОРОЖНОСТИ

по использованию аккумулятора

- Всегда заряжайте аккумулятор только зарядным устройством, поставляемым в комплекте, и только при температуре от 5° до 25° Цельсия.
- Соблюдайте инструкции по безопасности для аккумулятора.
- Никогда не оставляйте аккумулятор на зарядке без присмотра.
- Во время зарядки аккумулятора убедитесь, что разъем правильно подключен, аккумулятор проветривается и находится в сухом месте.
- Не допускайте контакта зарядного устройства, электрической сети и соединительных кабелей с водой, поскольку это может привести к удару током. Не прикасайтесь к аккумулятору и зарядному устройству влажными руками.
- Через одинаковые интервалы времени проверяйте зарядное устройство и разъем. В случае наличия повреждений замените их.
- Всегда храните аккумулятор при температуре от 5° до 25° Цельсия.
- Всегда храните аккумулятор в недоступном для детей и животных месте.
- Любой ремонт и техническое обслуживание аккумулятора или зарядного устройства должен проводить специалист.



МЕРЫ ПРЕДОСТОРОЖНОСТИ

по настройке, техническому обслуживанию и ремонту

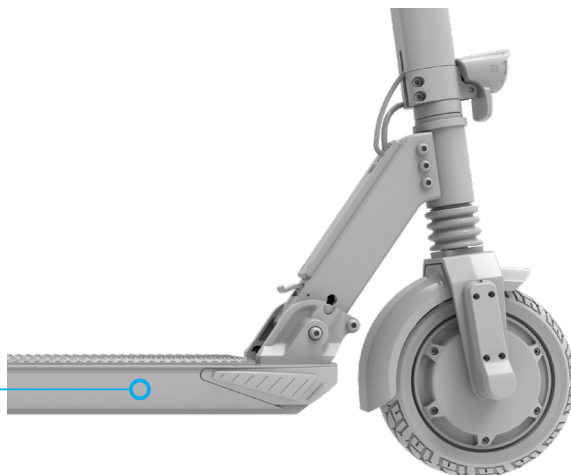
- Неправильное закручивание винтов может привести к истиранию материала. Винты, становясь мягкими, подвергаются чрезмерной нагрузке и могут сломаться. Это повышает риск возникновения несчастных случаев и травм. Всегда используйте динамометрический гаечный ключ для затягивания винтов.
- Всегда консультируйтесь со специалистом по вопросам ремонта системы привода.

ИНСТРУКЦИИ ПОЛЬЗОВАТЕЛЯ

Идентификация устройства

- Серийный номер находится на правой стороне колоды.

xxxxxxxxxxxx



- Дополнительную информацию о вашем скутере можно найти на маркировке, наклеенной на скутер.

Износ

Использование электрического скутера приводит к процессу его естественного износа. Чтобы всегда быть уверенным в безопасном передвижении, ознакомьтесь с разделом «Техническое обслуживание», соблюдайте интервалы техосмотра, данные о которых авторизованный сервисный центр должен вносить в раздел предоставленных услуг. Более того, соблюдайте инструкции из раздела «Перед каждой поездкой» каждый раз, когда заводите скутер.

Инструкции по использованию аккумулятора

Встроенный литий-ионный аккумулятор является высоко технологическим продуктом, который обеспечивает высокую производительность при надлежащем управлении и техническом обслуживании. Прочтите и соблюдайте инструкции раздела «Зарядка аккумулятора» в главе «Эксплуатация» и инструкции раздела «Техническое обслуживание аккумулятора» в главе «Техническое обслуживание».

Защита от угона

Никогда не оставляйте свой электрический скутер без присмотра и всегда защищайте его от угона соответствующим замком. Используйте имеющийся в продаже замок для велосипедов, чтобы зафиксировать электрический скутер в районе заднего колеса.

Транспортировка электрического скутера

Аккумуляторы являются предметом законодательства для опасных грузов. При перевозке третьими лицами (например, авиатранспорт, перевозящий груз, или наземная служба доставки) к упаковке и маркировке применяются специальные требования. В случае транспортировки водным транспортом обратитесь к специалисту по опасным грузам. Не перевозите наземным или водным транспортом поврежденные аккумуляторы.

Требования к поездке: Пожалуйста, свяжитесь с вашей авиакомпанией и местным законодательством.

Хранение

Не оставляйте скутер надолго под прямыми солнечными лучами или при низкой температуре на улице. Идеальная температура для хранения скутера и аккумулятора составляет от 15° до 20° Цельсия. Не храните ваш электрический скутер в жилых помещениях, только в гараже.

Действия при падении или несчастном случае

В случае падения или несчастного случая отнесите ваш электрический скутер в авторизованный сервисный центр с целью проверки на наличие повреждений.

Очистка

Для предотвращения коррозии винтов и излишнего истирания рекомендуется тщательно очищать и высушивать прибор каждые три месяца и после передвижения во время дождя. После очистки промойте скутер чистой водой, чтобы удалить остатки моющего средства. Затем насухо вытрите скутер тканью.



ПРИМЕЧАНИЕ

Используйте специальные моющие средства и средства защиты, а также мягкую губку. Никогда не используйте растворители для очистки и не мойте скутер под проточной водой.

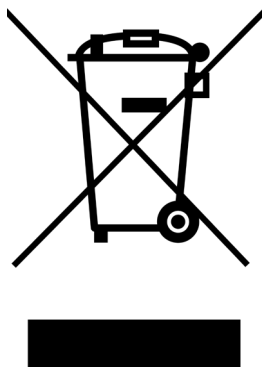
Ремонт

Все виды ремонта должен выполнять авторизованный дилер или авторизованный сервисный центр. Не выполняйте ремонт электрических составляющих самостоятельно. Только специалист может открыть защитный корпус со встроенными электрическими компонентами.

Инструкции по утилизации

При утилизации учитывайте окружающую среду и соблюдайте следующие инструкции:

- Утилизируйте электрический скутер и сопутствующие компоненты (например, аккумулятор) через соответствующие компании или сообщества по утилизации.
- Изучите действующее законодательство. В случае сомнений обратитесь в ваши органы по утилизации для экологически безопасной утилизации. Аккумуляторы и электрические компоненты нельзя утилизировать вместе с бытовыми отходами!



НАЧАЛЬНАЯ НАСТРОЙКА

Перед началом эксплуатации

- Проверьте комплект поставки:
 - Скутер, зарядное устройство и кабель питания, руководство пользователя
- В конце данного руководства пользователя находится Талон micro. Полностью заполните Талон micro и храните его вместе с чеком покупки. Талон micro облегчает процесс ремонта и предоставления гарантийных услуг.
- Аккумулятор только частично заряжен при доставке. Перед началом эксплуатации полностью зарядите аккумулятор, используя предоставленное зарядное устройство.

Перед каждой поездкой

Перед каждой поездкой электрический скутер необходимо проверять на готовность к движению. Транспортное средство поставляется производителем в готовом к использованию виде. Поскольку дефекты, потенциально влияющие на работу транспортного средства, могут проявиться как во время транспортировки, так и при передвижении, всегда обращайтесь внимание на следующие моменты перед началом эксплуатации и перед каждой следующей поездкой:

Тестируемый элемент	Суть теста
Фары	Включены ли фары?
Общие условия	Все винты плотно закручены и составляющие надежно закреплены?
Тормоза	Все тормоза настроены правильно и полностью работают?
Механизм складывания	Механизм складывания правильно защелкнут, а зажимная рукоятка закрыта и плотно прижата?
Состояние заряда аккумулятора	Аккумулятор достаточно заряжен?
Текущий режим движения	Какой режим движения установлен на данный момент?
Приложение Micro	Загрузите приложение Micro Mobility для Android или iOS

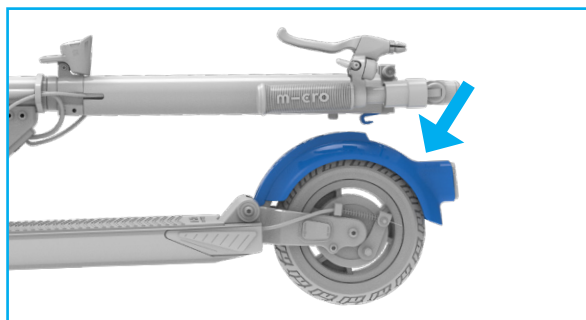
Каждый раз перед эксплуатацией необходимо проверять износ шин и натяжение винтов.

ЭКСПЛУАТАЦИЯ

Раскладывание

Электрический скутер поставляется в сложенном состоянии. Несколько простых движений — скутер разложен и готов к использованию. Ниже приводятся объяснения того, как разложить скутер.

1. Нажмите на заднюю педаль тормоза, чтобы освободить крючок передней трубы.

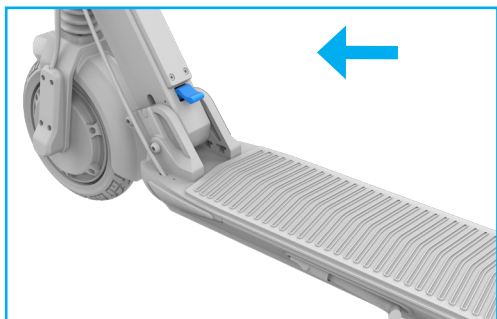


2. Потяните за переднюю трубу и не отпускайте до тех пор, пока не услышите щелчок. Теперь болт на блоке складывания находится в нужном месте.



Складывание

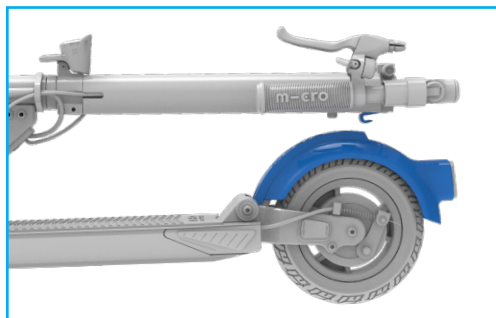
1. Чтобы сложить скутер, нажмите на синий рычаг ногой, **одновременно нажимая на руль в направлении движения.**



2. Эта модель скутера оснащена боковой подножкой. У вас есть возможность либо воспользоваться ею, либо скутер может принять устойчивое положение, когда подножка находится в частично сложенном положении.

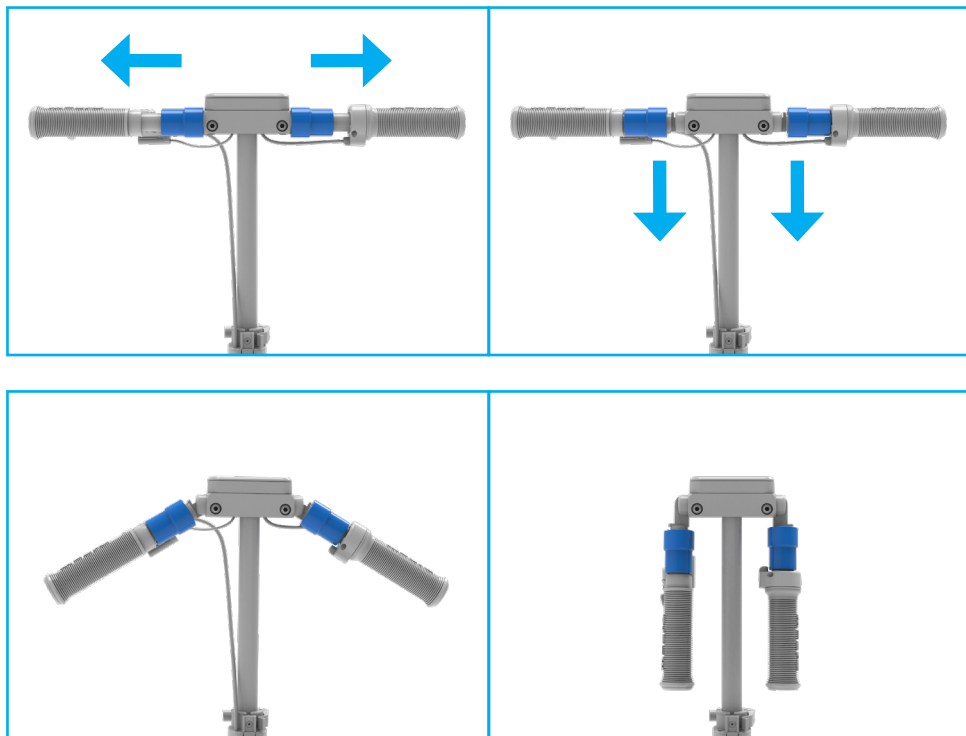


3. Защелкните крючок на вертикальной трубе внутрь задней педали тормоза.



Складной руль

Вы можете сложить руль скутера для компактного хранения. Для этого потяните ручки руля в стороны горизонтально и сложите их вниз. Чтобы разложить их, слегка нажмите на них и они автоматически примут нужное положение.



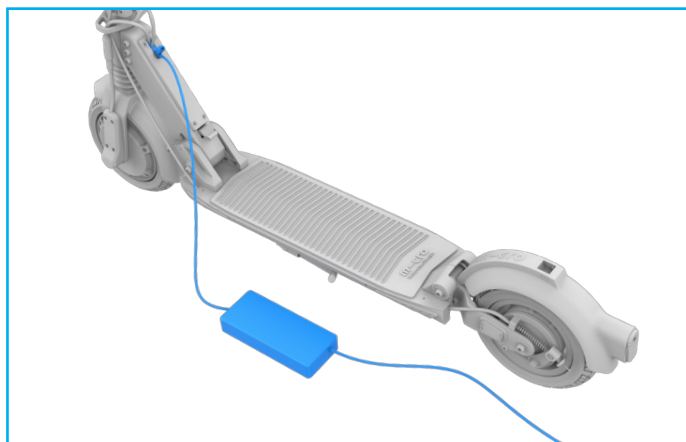
Включение и выключение фар

- Чтобы включить / выключить подсветку, нажмите кнопку подсветки (вторая кнопка с правой стороны дисплея).


Зарядка аккумулятора

Ниже описан процесс зарядки аккумулятора:

- Подключите электрический скутер к зарядному устройству.
- Включите зарядное устройство в розетку. Вы увидите, что скутер подключен к зарядному устройству правильно, когда ЖК-экран на блоке питания станет красным (это может занять несколько секунд).
- После полной зарядки скутера светодиодный индикатор на зарядном устройстве загорится зеленым.



- Для зарядки электрических самокатов Micro можно использовать только зарядные устройства Micro.
- Каждый раз по завершению эксплуатации закрывайте защитную крышку заряжающегося коннектора для улучшения герметизации.

 : зарядное устройство стандарта 5541 (EU), 5253 (UK), 5255 (US), 5257 (AU).



МЕРЫ ПРЕДОСТОРОЖНОСТИ

Установленные аккумуляторы — литий-ионные перезаряжаемые аккумуляторы. Никогда не заряжайте аккумуляторы, которые не предназначены для перезарядки.

Тормоза

При возможности используйте несколько типов тормозов во время торможения. Переключайте тормоза во время длительных поездок, чтобы избежать их перегрева.

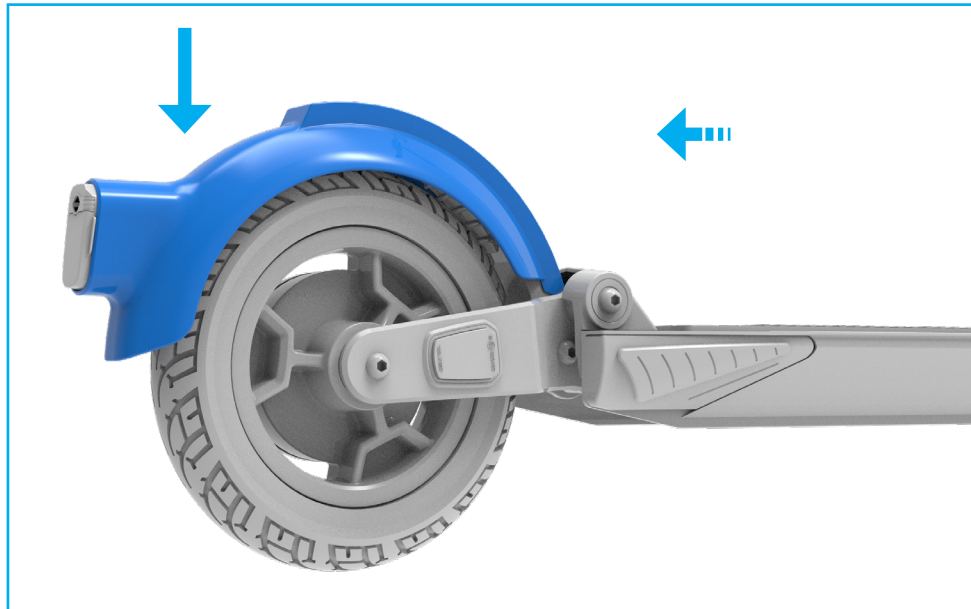


МЕРЫ ПРЕДОСТОРОЖНОСТИ

Мокрые или влажные дорожные поверхности увеличивают тормозной путь. Будьте осторожны и снижайте скорость на скользких или неровных дорожных поверхностях.

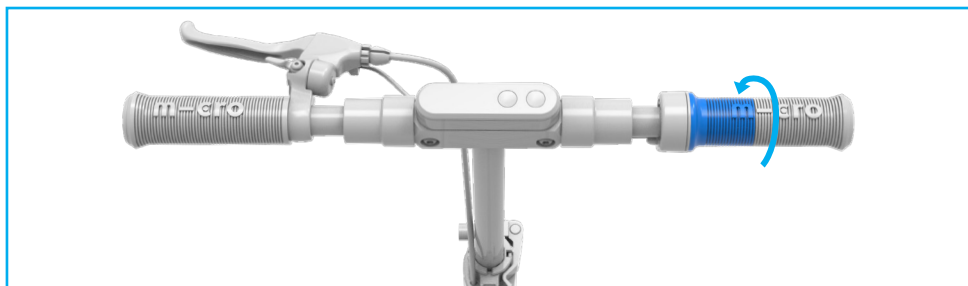
Ножной тормоз

Во время торможения переместите тело таким образом, чтобы центр тяжести был ближе к заднему колесу для наилучшей работы тормозов. Перенос веса назад или вниз существенно сокращает тормозной путь. Использование ножного тормоза автоматически активирует тормоз двигателя.



Регенеративный тормоз

Чтобы активировать регенеративный тормоз (тормоз двигателя) поверните ручку газа от положения ноль в направлении движения. Вы сразу же почувствуете как срабатывает тормоз электродвигателя



Управление электрическим скутером



МЕРЫ ПРЕДОСТОРОЖНОСТИ

Двигайтесь медленно, чтобы привыкнуть к новому ощущению движения, особенно если пользуетесь скутером первый раз. Всегда помните, что движение на высоких скоростях на электрическом скутере также приводит к увеличению тормозного пути.

Ручной тормоз

Чтобы воспользоваться ручным тормозом (барабанным тормозом на заднее колесо) потяните за левый рычаг. Использование ножного тормоза автоматически активирует тормоз двигателя.



Твист ускорения дроссельной заслонки

Электрический скутер имеет поворотный дроссель (правая сторона) для регулирования скорости. Для того, чтобы начать, толкнуть ногой от земли, а затем поверните поворотный дроссель к корпусу, чтобы ускорить скутер.



Программы движения

Ваш электрический скутер оснащен несколькими заданными программами движения. Например, режим Eco дает возможность комфортно путешествовать на дальние расстояния, в то время как режим Sport позволяет быстро взбираться на возвышенности.

Программа движения	Отображение программы на дисплее	Максимальная скорость*
Режим Pedestrian	1.	6 км/ч
Режим Eco	2.	15 км/ч
Режим Standard	3.	20 км/ч
Режим Sport	4.	25 км/ч

* В соответствии с правилами страны, максимальная скорость может быть ограничена до 20 км/ч.



ПРИМЕЧАНИЕ

Электрический скутер не разрешен к обычному использованию на общественных дорогах. Обратите внимание, что в каждой стране действуют свои правила и ограничения дорожного движения для электрических транспортных средств (особенно относительно максимальной скорости, динамики и разрешенных для передвижения дорог). Самостоятельно детально изучите действующие в вашей стране правила.

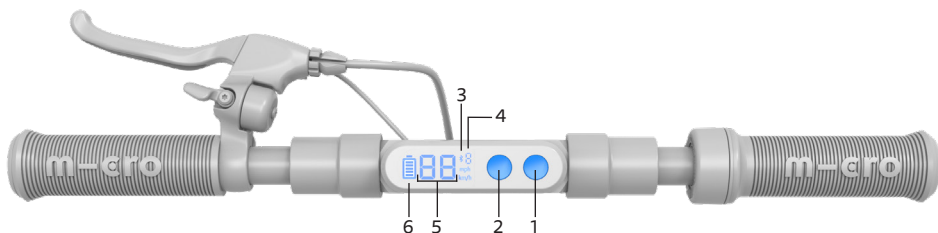
Настройка программ движения

Вы можете переключаться между программами катания, нажимая кнопку включения / выключения и выбора режима.

Интерфейс и функции дисплея

Следующее изображение показывает различные индикаторы на дисплее.

- Цифра (1–4) вверху экрана показывает выбранный режим катания.
- Большие цифры слева показывают текущую скорость.
- Значок батареи слева отображает текущее состояние заряд вашей батареи.



- 1.** Кнопка включения/выключения и выбора режима:
 - ON/ OFF: нажмите 3 секунды
 - Мод (1-4): короткий щелчок
- 2.** Светлая кнопка:
 - Light ON/OFF: короткий щелчок
- 3.** Подключение к приложению
- 4.** Режим (1–4)
- 5.** Скорость
- 6.** Уровень заряда батареи

ТЕХНИЧЕСКОЕ ОБСЛУЖИВАНИЕ

Чтобы продлить срок службы вашего электрического скутера, необходимо проводить его техосмотр один раз в год или каждые 500 км (в зависимости от того, что случится раньше) у авторизованного дилера или в авторизованном сервисном центре. Предоставьте сервисному центру записи о выполненных услугах и убедитесь, что новая запись была сделана правильно.

- Для оптимальной и безопасной езды мы рекомендуем смазывать подшипники подходящей смазкой.
- В целях безопасности тормозные колодки необходимо регулярно проверять и регулировать натяжение.
- При обслуживании и ремонте необходимо использовать оригинальные запчасти, предоставленные Micro Mobility.



ПРИМЕЧАНИЕ

После использования скутера первые 5 часов, проверьте, чтобы все винты были плотно закручены и, при необходимости, закрутите разболтавшиеся.

Техническое обслуживание аккумулятора

Чтобы продлить срок службы комплекта аккумуляторов, следуйте инструкциям по уходу:

- Храните аккумуляторы при температуре от 5° до 25° Цельсия.
- Полностью зарядите аккумулятор сразу после покупки.
- Полностью заряжайте аккумулятор каждые три месяца, если скутер не используется.
- После полной разрядки аккумулятор необходимо зарядить в течение трех дней.



ПРИМЕЧАНИЕ

Гарантия не покрывает повреждения, нанесенные в результате несоответствующего выполнения вышеуказанных инструкций.

ТЕХНИЧЕСКИЕ ДАННЫЕ

	Micro Explorer S
Номер артикула	EM0072, EM0076, EM0083
Размер колеса (переднего/заднего)	200 / 200 мм
Вес	14.7 кг
Твист ускорения дроссельной заслонки	✓
Тормоз переднего и заднего колеса	✓
задние фары	✓
передние фары	✓
Динамика (макс. мощность)	500 Вт
Материал колеса	Резина
Высота руля	1095 мм
Общая высота	1028 мм
Аккумулятор	36 В / 9,6 А-ч / 345 Вт-ч
Электроэлемент	EVE
Пробег	40 км *
Скорость	6 / 15 / 25 км/ч **
Время зарядки	3.5 ч
Состояние заряда	отображение на дисплее

(*) значение приведено для нормальных условий (плоская поверхность, температура 20° Цельсия, вес пользователя 75 кг, Режим Eco)

(**) В соответствии с правилами страны, максимальная скорость может быть ограничена до 20 км/ч.

ДЕКЛАРАЦИЯ О СООТВЕТСТВИИ ЕС

Производитель:

Micro Mobility Systems Ltd. Bahnhofstrasse 10
8700 Küsnacht
Switzerland (Швейцария)

**Авторизованный представитель для указания в
технической документации**

Micro Mobility Systems Ltd. Bahnhofstrasse 10
8700 Küsnacht
Switzerland (Швейцария)

Продукт:

Электрический скутер (E-скутер)
EM0072 - Micro Explorer S Silver 25
EM0076 - Micro Explorer S Silver 20
EM0083 - Micro Explorer S AMG

Серийный номер:
XXXXXXXXXXXX

Зарядное устройство:
5541 (EU), 5253 (UK), 5255 (US), 5257 (AU)

Вышеуказанный продукт соответствует следующим директивам:

- | | |
|---|-------------|
| • Директива о безопасности машин и оборудования | 2006/42/EC. |
| • Директива об электромагнитной совместимости | 2014/30/EU. |
| • Директива о низковольтном оборудовании | 2014/35/EU. |
| • Директива о RoHS | 2011/65/EU. |

Следующие (согласованные) стандарты были использованы при осмотре:

- | | | |
|---|---|-------------------------------|
| • EN ISO 12100:2010 | Директива о безопасности машин и оборудования | Скутер. |
| • EN61000-6-1:2019 | ЭМС | Скутер / зарядное устройство. |
| • EN55014-1:2017 | ЭМС | Зарядное устройство. |
| • EN55014-2:2015 | ЭМС | Зарядное устройство. |
| • EN61000-3-2:2019 | ЭМС | Зарядное устройство. |
| • EN61000-3-3:2013 | ЭМС | Зарядное устройство. |
| • EN61000-6-3:2021 | ЭМС | Скутер / зарядное устройство. |
| • EN60335-1:2012+A11:2014+A13:2017
+A1:2019+A14 :2019+A2 :2019 | Низковольтное оборудование | Скутер / зарядное устройство. |
| • EN60335-2-29:2016 | Низковольтное оборудование | Скутер. |
| • 2011/65/UE, 2015/863/UE | RoHS | Скутер / зарядное устройство. |
| • EC1907/2006 | REACH | Скутер. |
| • EN61558-1:2005+A1:2009 | LVD | Зарядное устройство |
| • EN61558-2-16:2009+A1:2013 | LVD | Зарядное устройство |

Другие применимые технические стандарты и спецификации:

- | | |
|----------------|---|
| • EN17128:2020 | Скутер — Персональные легкие электромобили (PLEV) |
| • EN15194:2018 | Велосипеды - велосипеды EPAC |
| • EN62133:2012 | Аккумулятор |

01.07.2022 Кюснахт



Вим Уботер (Wim Ouboter), генеральный директор

ГАРАНТИЯ

Нижеуказанные гарантийные услуги включают:

- Два года гарантии на комплектующие скутера: Подножная доска, вся передняя сборка и педаль тормоза. Гарантия не распространяется на все быстроизнашивающиеся части, мелкие детали и винты.
- Один год гарантии на аккумулятор или 300 полных зарядных циклов (в зависимости от того, что случится раньше). Мы гарантируем оставшуюся емкость в объеме 60% от номинальной емкости.
- Годовая гарантия на электрические компоненты: двигатель, дисплей, контроллер и кабели.

Гарантийные услуги

На основе этой гарантии в течение указанного гарантийного срока компания Micro предоставляет следующие гарантийные услуги: на усмотрение компании Micro ремонт или замена на равноценные части или комплектующие в случае, если они отличаются от оригинальных по модели и/или цвету; услуги, не включенные в гарантию и входящие в обязанности дилера, а также очистка скутера, доставленного в грязном виде, будут включены в счет по стандартной часовой ставке, в т.ч. все расходы на материалы и транспорт;

- Любые услуги, оказанные по гарантии (ремонт/замена), не увеличивают срок действия гарантии.
- Никакие претензии, кроме вышеуказанных, не применяются.

ГАРАНТИЙНЫЕ УСЛОВИЯ

Гарантия не покрывает повреждения, причиненные следующими действиями:

- Повреждение, вызванное несвоевременной зарядкой аккумулятора.
- Повреждение, вызванное хранением, зарядкой или использованием за

пределами указанных температур.

- Неправильное использование, несоответствующее или запрещенное применение (например, прыжки).
- Неправильное изменение третьими лицами (например, открытие подножной доски).
- Неправильная зарядка (например, зарядка с помощью зарядного устройства, отличного от поставленного).
- Превышение максимальной скорости в 40 км/ч во время спуска.
- Технические модификации скутера без предварительного согласия производителя.
- Последующее изменение/установка несовместимых запчастей или запчастей от других производителей.
- Изнашивающиеся части (шариковые подшипники, втулки, болты и винты подшипников и т.д.).
- Несоблюдение интервалов проведения техосмотра.
- Повреждение в результате отсутствующих или неправильных настроек или изношенных компонентов.
- Последствия падения.
- Любая персональная травма или повреждение имущества третьих лиц в результате использования скутера.
- Повреждения, вызванные использованием несоответствующих моющих средств и инструментов, например очистителей высокого давления или добавок.
- Повреждения, вызванные ненадлежащим использованием в связи с защитой от воды (электрический скутер имеет защиту от брызг, он не водостойкий).

Положение о действительности гарантии в случае недействительности одной из ее статей

Если любое положение настоящей гарантии является или становится недействительным или имеет пробел, который должен быть заполнен, то это не повлияет на действительность других ее положений. Недостающее или недействительное положение необходимо заменить положением, чье содержание будет наиболее близким по смыслу и цели к первоначальному положению.

Применимое законодательство и юрисдикция

В случае возникновения споров, вытекающих из данной гарантии (в т.ч. по отношению к ее существованию и действительности) согласовано, что исключительным местом рассмотрения дела является Суд кантона Цюрих. Этот договор купли-продажи регулируется швейцарским правом, за исключением случаев коллизии правовых норм и за исключением Конвенции ООН о договорах международной купли-продажи товаров (Конвенция ООН по продажам).

ТАЛОН MICRO

Полностью заполните Талон micro и храните его вместе с чеком покупки.

Владелец

ФИО

Улица / номер дома

Почтовый индекс

Страна

Скутер

Серийный номер

Модель

Цвет

Размер колеса

Особые характеристики

Дата покупки

Имя дилера

Адрес дилера

Стоимость покупки



ПРЕДОСТАВЛЕННЫЕ УСЛУГИ

Информация о любом техническом обслуживании электрического скутера должна быть внесена в запись о предоставленных услугах. Электрический скутер необходимо проверять в авторизированном сервисном центре один раз в год или каждые 500 км пробега.

Тип заказа	<input type="checkbox"/> Годовой техосмотр <input type="checkbox"/> Ремонт
Дата выполнения	
Выполнено	
Номер заказа	
Выполненные работы	
Выполнено после оплаты	
Дата, подпись, печать	

Тип заказа	<input type="checkbox"/> Годовой техосмотр <input type="checkbox"/> Ремонт
Дата выполнения	
Выполнено	
Номер заказа	
Выполненные работы	
Выполнено после оплаты	
Дата, подпись, печать	



1.	部件	214
2.	基本信息	
	用户指南原文翻译	215
	术语说明和标志	216
3.	预期用途	217
4.	安全守则	218-220
5.	使用说明	
	批号	221
	磨损与破裂	221
	电池使用说明	222
	防盗	222
	运输电动滑板车	222
	储存	222
	跌倒或意外事故处理措施	223
	清洁	223
	修理	223
	废弃处置说明	224
6.	初始设置	
	首次使用前	225
	每次骑行前	226
7.	操作	
	展开	227
	折叠	228
	可折叠把手	229
	开关车灯	229
	电池充电	230
	刹车	231
	使用脚刹	231

使用再生制动器	232
骑行电动滑板车	232
使用手刹	232
电门把手	233
定速巡航	233
骑行模式	233
设置骑行模式	234
显示说明的功能	234

8.

维护

电池维护	235
------------	-----

9.

技术参数

236

10.

符合性声明

237

11.

保修

保修范围	238
------------	-----

12.

保修条件

238

13.

micro-保修卡

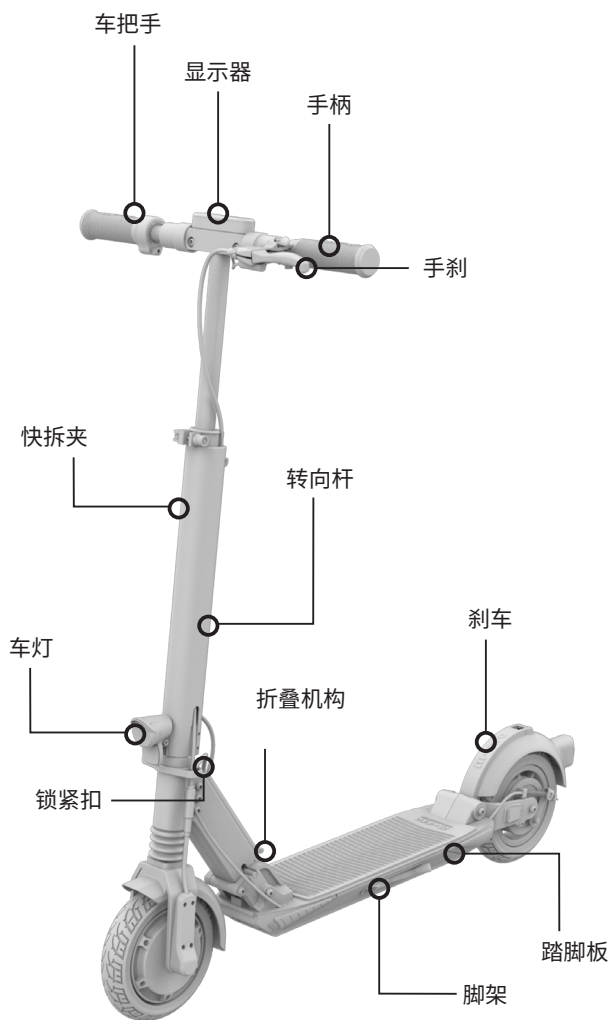
240

14.

维修记录

241

部件



基本信息

用户指南

使用本电动滑板车前,请务必仔细阅读用户指南,特别是安全守则部分。请遵守骑行电动滑板车的相关道路交通规则(在其他国家也适用,可能会有所不同)。请妥善保管本指南,以备将来参考。若将本车转交给第三方,请务必将本指南一并转交。



术语说明和标志

安全标志的用途是提醒您注意可能发生的危险。请仔细阅读本说明，确保您完全理解安全标志的含义。不遵守安全守则有可能造成人身伤害、第三方人身伤害以及财产损失。

本原始用户指南内、电动滑板车上或包装中使用以下标志和信号词：



警告

表示具有潜在的**中级风险**，若未注意到可能造成严重或致命人身伤害。本信号词不用于表示仅造成单纯材料损坏的风险。



注意

表示具有潜在的**低级风险**，若未注意到可能造成轻微或中度人身伤害。本信号词不用于表示仅造成单纯材料损坏的风险。



注意

指示实用的信息和提示，有助于用户最好地使用电动滑板车。

预期用途


- 本电动滑板车仅可在指定的道路和小路上使用。
- 本电动滑板车仅可供单人骑行。
- 本电动滑板车的最大承重为100公斤,骑行人员最高身高为190厘米。
- 使用本电动滑板车前,请确保阅读并理解您所在国家的道路交通法规。
- 本电动滑板车不适合于载运行李或儿童。
- 本电动滑板车仅供私人使用,不得用于商业用途。
- 本电动滑板车适合16岁以上成人骑行。
- 预期用途还包括遵守“使用说明”和“维护”章节中内容的用途。
- 本电动滑板车仅可按照原始用户指南中所述之用途使用。做任何其他类型之用途均视为非合规用途,有可能造成意外事故、人身伤害或财产损失。
- 电机功率为450瓦,加速时电池可提供的最大总功率为500瓦。

安全守则



警告

使用电动滑板车

- 在未完全熟悉操作和功能的情况下，请勿使用本电动滑板车。
- 身体、感官、精神不健全或经验、专业技能不足的人禁止骑行本电动滑板车。
- 儿童不得使用、清洁或维护本电动滑板车。
- 附加的电子辅助制动装置(电机制动器)可以缩短制动距离。请注意，若出现以下情况，则电机制动器无法使用...
 - 电池电量耗光，靠自力骑行。
- 请避免在黄昏或光线不足的条件下骑行。
- 为了获得最佳的能见度和安全性，请始终开启车灯。
- 请始终穿戴好适当的防护装备。
- 即使没有法定要求，也请务必佩戴经核准且贴合的骑行头盔。
- 请务必穿鞋骑行。
- 请勿在陡峭的下坡路上骑行，以免失控摔倒。
- 请始终留意道路上的其他车辆和行人。其他人的不当行为可能会引起意外事故和人身伤害。
- 始终慢速骑行，要特别注意路面的情况。如路面打滑或有落叶之类的不可预知路面情况可能会增加侧滑的风险。

- 请勿骑滑板车做跳跃动作，一定要避开坑洼、路缘等障碍物。
- 长时间制动后请勿触碰刹车装置；可能很热。
- 如果本电动踏板车因潮湿天气或清洁而暴露在潮湿的环境中，湿气可能会影响刹车系统的响应能力。清洁后，请在环境适宜的地方骑行，以使刹车系统保持干燥。
- 切勿将本电动滑板车存放于生活区或靠近易燃物的地方。
- 双手握住车把，双脚踏在踏板上，始终保持在稳定舒适的位置。
- 操作后刹车踏板时，仅使用一只脚，另一只脚留在踏板上，使滑板车保持适当平衡。
- 折叠和展开滑板车以及折叠和展开滑板车把手时，小心手指和其他身体部位可能被夹住。
- 维护或调整滑板车之前，务必关闭滑板车电源。



警告

配件和改装

- 请勿改装电动滑板车或安装错误的配件，否则会使您的安全受到威胁。
- 使用未经授权的配件可能造成严重的人身伤害或损坏电动滑板车。
- 禁止对本电动滑板车进行“改装”或“微调”。
- 请勿将手提袋等物品挂在车把手上，否则会对操控性能产生不利影响。



警告

使用电池

- 仅可使用随附的充电器给电池充电,而且只可在5° C和25° C之间的温度时充电。
- 请遵守电池安全守则。
- 请勿在无人看管时给电池充电。
- 电池充电时,请确保插头正确连接、通风良好、环境干燥。
- 切勿使充电器、电源和连接电缆碰水,否则可能会导致触电。手湿的情况下切勿触摸电池和充电器。
- 请定期检查连接插头和充电器。如有损坏请立即更换。
- 请始终将电池存放于温度在5° C和25° C之间的环境中。
- 请始终将电池置于儿童和动物无法接触的地方。
- 电池或充电器的任何修理和维护工作务必由专业人员来完成。



警告

安装、维护和修理

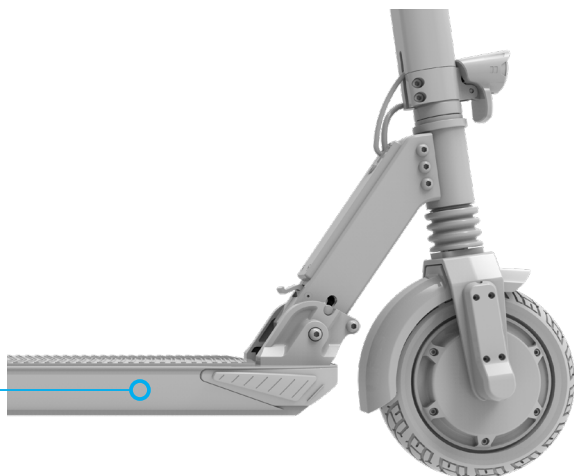
- 螺丝未正确拧紧可能造成材料疲劳。用力太大会使螺丝变软,并且可能断裂。这种情况会增加意外事故和受伤的风险。因此,请一定使用扭矩扳手拧紧螺丝。
- 有关驱动系统的修理问题,请一定咨询专业人员。

使用说明

批号

- 序列号位于踏脚板右前侧。

XXXXXXXXXXXX



- 有关本电动滑板车的更多信息, 请查看车上的胶贴标签。

磨损与破裂

本电动滑板车在使用过程中会产生自然磨损。为始终确保骑行安全, 请阅读本指南‘维护’章节内容, 遵守维护周期并由授权服务中心将其记录在维修记录中。另外, 每次启动本电动滑板车时均应遵循‘每次骑行前’章节的说明。

电池使用说明

内置的锂离子电池是高科技产品，在正确处理和维护下可提供卓越性能。请阅读并遵守‘操作’章节中的‘电池充电’内容以及‘维护’章节中的‘电池维护’说明。

防盗

请确保电动滑板车有人看管，并安装匹配的车锁，以防被盗。使用市面有售的自行车锁，在后轮区锁好，确保电动滑板车的安全。

运输电动滑板车

电池须遵守危险品运输法规。通过第三方进行运输时需满足特殊的包装和标签要求（例如空运或包裹运送服务）。需要装运时，请与危险品专家联系。请勿运输或装运损坏的电池。

出行要求：請向你的航空公司查詢，並參考當地法律。

存放

请勿让电动滑板车长时间受到日光直射或寒冷气候的影响。本电动滑板车和电池的理想存放温度范围为 15°至 20°C。将本电动滑板车存放于车库内，请勿停放于生活区。

跌倒或意外事故处理措施

摔倒或发生意外事故后, 请将电动滑板车送到授权服务中心检测是否出现损坏。

清洁

为了防止螺丝生锈以及不必要的磨损与破裂, 建议每隔三个月和每次雨天骑行后彻底清洁和擦干滑板车。清洁后, 用清水冲洗滑板车, 保证无清洁剂残留。然后用布将滑板车擦干。



注意

使用专用的清洁剂、保养产品及软海绵。切勿使用溶剂清洁滑板车, 避免直接在自来水下冲洗。

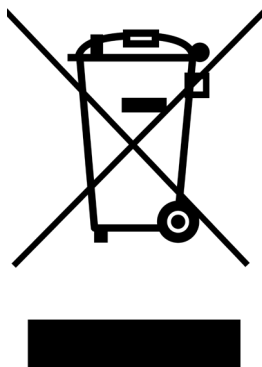
修理

由授权经销商或授权服务中心执行所有修理工作。请勿自行对电气部件进行任何修理。只有专业人员才可打开内置电气部件的壳体。

废弃处置说明

处理废弃滑板车时, 请注意周围环境并遵守以下说明:

- 只能在获得批准的废弃处置公司或通过社区废弃设施处理废弃的电动滑板车和相关部件 (例如电池)。
- 请遵守现行法规。若有疑问, 请向所使用的废弃设施厂家咨询是否进行了无害环境处理。禁止将电池和电器与生活垃圾一同废弃!



初始设置

首次使用前

- 核对标准配置：
 - 电动滑板车、充电器和电源线以及用户指南
- 用户指南的末页有micro-保修卡。请完整填写micro-保修卡，然后与购买收据一起收好。使用micro-保修卡，可以顺利处理修理和保修问题。
- 本产品在交货时，电池未完全充满电。首次使用前，请使用所提供的充电器将电池充满电。

每次骑行前

每次骑行本电动滑板车前，请务必检查车辆性能。本车在制造商交付时已经完全装配好，可直接骑行。因车辆在运输期间以及任何非运输时期会出现可能使功能受损的缺陷，所以在首次使用前和每次骑行前，请一定注意以下几点：

测试项目	测试内容
车灯	车灯是否打开？
一般情况	所有螺丝是否拧紧，所有部件是否牢固安装？
刹车	刹车装置是否正确安装，功能是否完整？
折叠机构	折叠机构是否正确嵌入到位，快拆夹是否闭合并紧固？
电池充电状态	电池是否完全充电？
当前骑行模式	当前设置的是哪一种骑行模式？
Micro App	从安卓或IOS 下载APP“Micro Mobility”

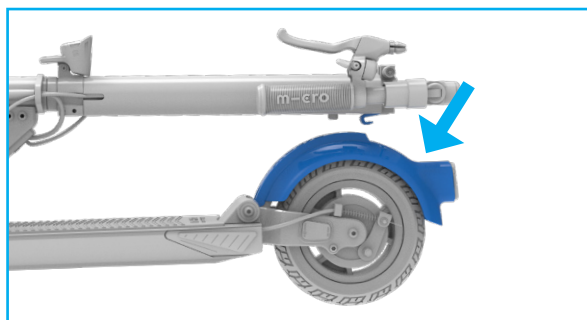
每次使用前，务必检查车轮的磨损情况和螺丝的拧紧情况。

操作

展开

本电动滑板车以折叠状态交付。只需简单几步即可将其展开，供您骑行。以下介绍滑板车展开方法。

1. 往下按后部的刹车踏板使前管钩松开。

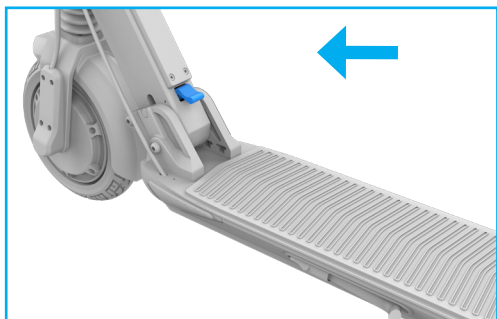


2. 向上提拉前管，直到听到咔哒声。这样，折叠机构的螺栓就正确安装到位了。



折叠

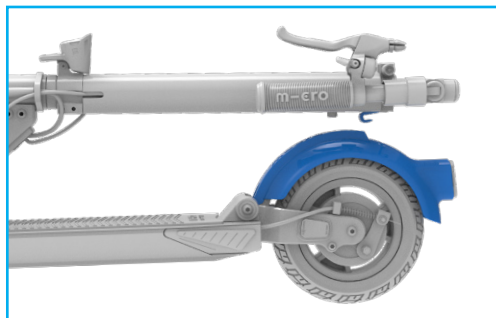
1. 折叠电动滑板车时,用脚向下踩蓝色解锁杆,同时沿骑行方向推压车把手。



2. 该电动滑板车有脚撑。你可以使用脚撑或者将滑板车折叠一部分让其立起来。

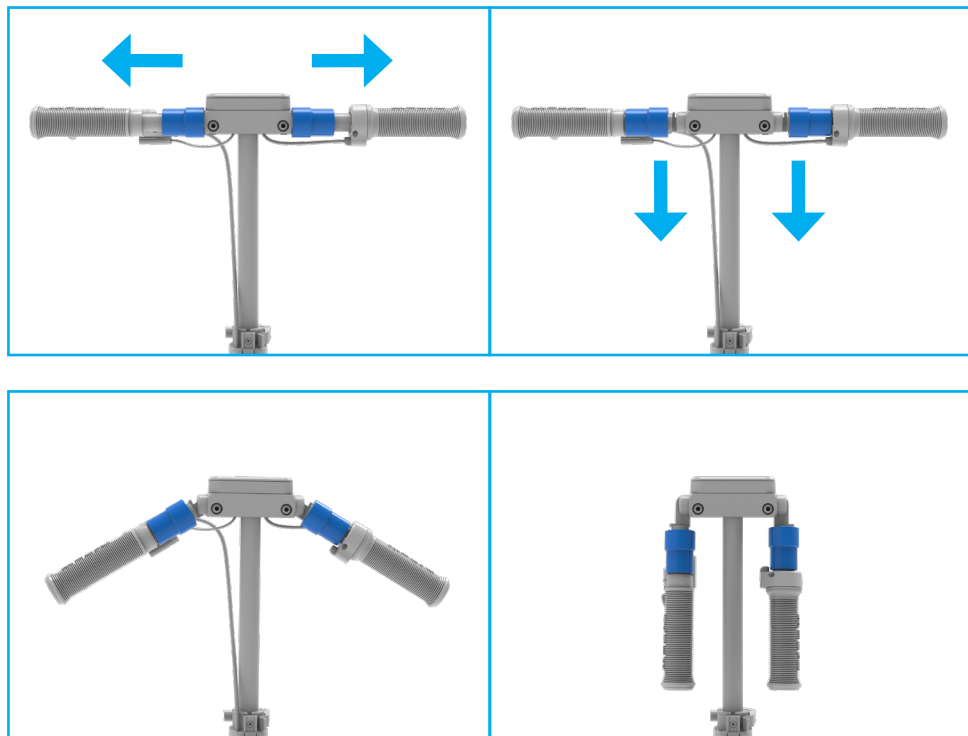


3. 将竖管上的管钩卡入后部刹车踏板中。



可折叠把手

可将电动滑板车把手折叠起来,这样,存放时不占空间。要做到这一点,只需水平拉出把手,然后将其向下折叠。展开把手时,只需轻轻将其向上推,便会自动扣住。



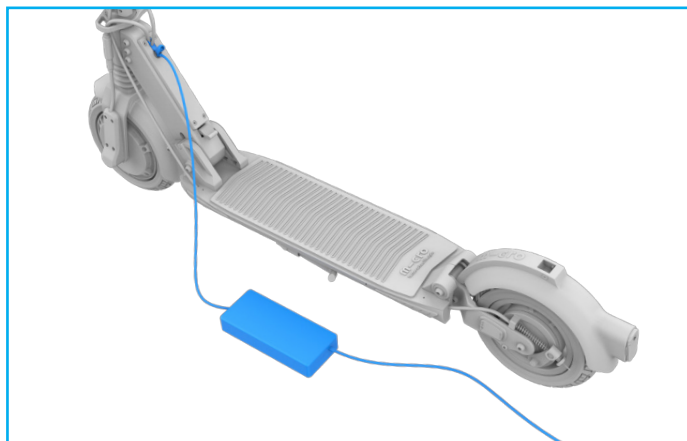
开关车灯

- 要打开/关闭灯,请按灯按钮(显示屏右侧的第二个按钮)。


电池充电

以下为充电过程介绍:

- 将充电器插入本电动滑板车。
- 将充电器连接至电源插座。当看到充电器上的LED指示灯变为红色时,说明充电器和滑板车已正确连接(变红可能需要几秒钟)。
- 电动滑板车充满电时,充电器上的LED显示器会显示绿色。



- 仅可使用Micro充电器为Micro电动滑板车充电。
- 每次使用后,务必关闭充电连接器的保护盖,形成良好密封。

 : 充电器编号:5541 (EU), 5253 (UK), 5255 (US), 5257 (AU)。



警告

安装的电池是可充电的锂离子电池。不需要充电的电池切勿充电。

刹车

只要有可能，请在刹车期间同时操作几个刹车装置。
长距离下坡骑行期间，请切换使用不同的刹车装置，以避免造成过热。

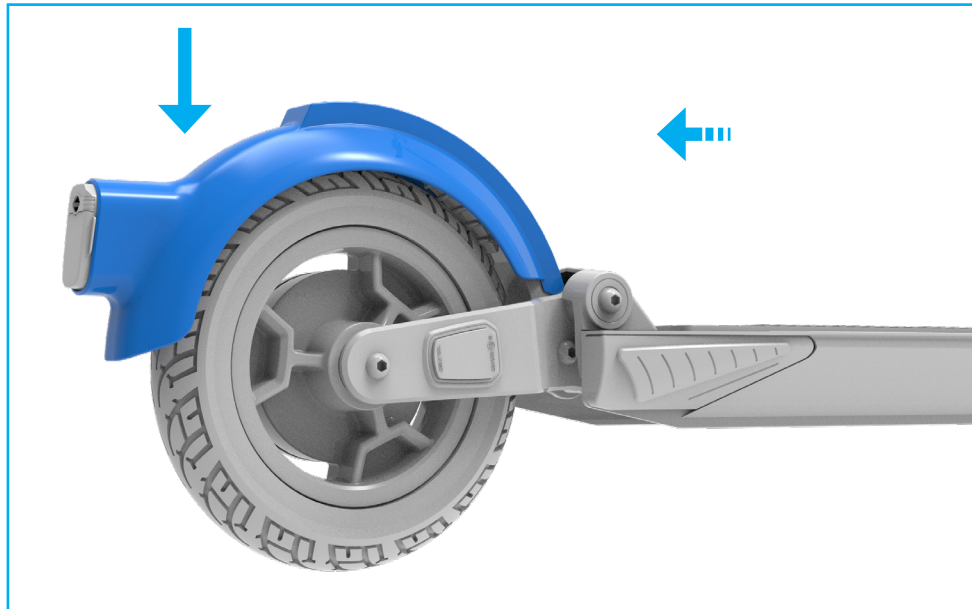


警告

路面潮湿时，刹车距离较长。在湿滑或不平的路面上应小心骑行并减速。

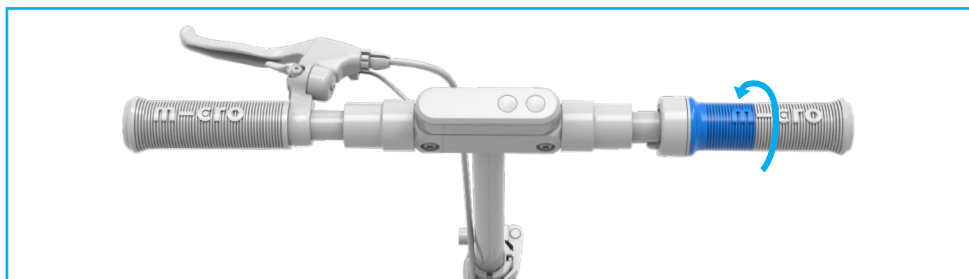
使用脚刹

在刹车时，移动身体使重心指向后轮，以达到最佳刹车性能。身体后倾/下蹲可大大缩短刹车距离。使用脚刹会自动激活电机制动器。



使用再生制动器

若要激活再生制动器(电机制动器),请将电门把手从起始位置朝行驶方向旋转。您会立即感受到电机制动的感觉。



骑行电动滑板车



警告

低速骑行慢慢适应新奇的骑行感觉,特别是在首次骑行时。请一定注意,较高速骑行本电动滑板车同样会增加刹车距离。

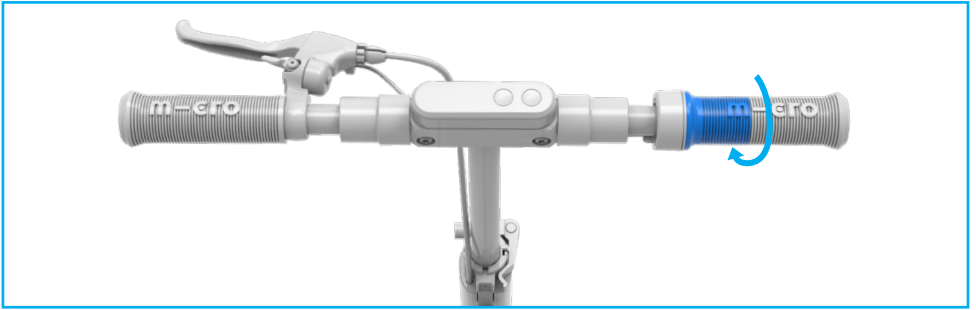
使用手刹

要启动手闸(后轮鼓式制动器),拉动左手拉杆。使用手刹也能自动启动电机制动。



电门把手

电动滑板车配有一个电门把手 (右侧), 用来调节车速。开始骑行时, 用脚向后蹬地面, 然后向身体旋转电门把手使滑板车加速。



骑行模式

本电动滑板车提供多个预设骑行模式。例如, 节能模式 (Eco) 可让您长途骑行更舒适, 而运动模式 (Sport) 可让您快速爬坡。

骑行模式	显示器上会显示骑行模式	最高车速 *
行人模式	1.	6公里/小时
节能模式	2.	15公里/小时
标准模式	3.	20公里/小时
运动模式	4.	25公里/小时

* 根据特定国家/地区的规定, 最大速度可能会限制为20公里/小时。



注意

本电动滑板车不得在公共道路上骑行。请注意，每个国家对在公共交通道路上行驶的电动车辆都有具体的法规和限制（特别是在最高车速、性能和允许骑行的道路方面）。请详细了解所在国家的适用准则。

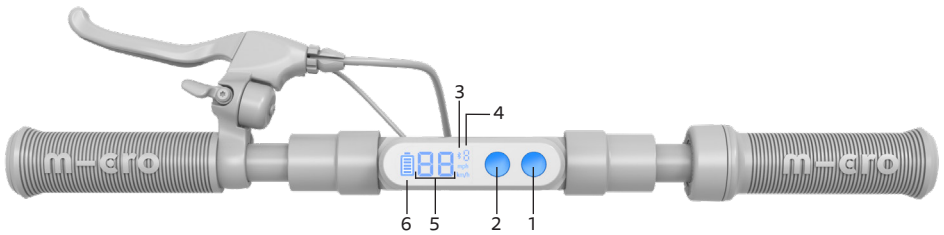
设置骑行模式

可以通过单击开/关和模式选择按钮在骑行程序之间进行切换。

显示器接口与功能

以下图例指出了显示器中不同的接口位置。

- 屏幕顶部的编号(1-4)表示当前的速度水平。
- 指示器左边的大字体数字表示当前的车速。
- 左边的电池图标表示电池当前的充电状态。



- | | |
|-----------------------|-------------------|
| 1. 开/关和模式选择按钮: | 3. 应用程序连接 |
| - 开/关:按下3秒钟 | 4. 模式(1-4) |
| - 模式(1-4):短按 | 5. 速度 |
| 2. 指示灯按钮: | 6. 电池电量 |
| - Light ON / OFF:短按 | |

维护

为了延长电动滑板车的使用寿命,必须每年或骑行每500公里(以较早的时间为准)将其送到授权经销商或授权服务中心保养和检修。向服务中心提供维修记录,确保服务正确登记。

- 为了实现完美、安全的滑行体验,我们建议您使用合适的润滑油保养轴承。
- 请定期检查鼓式制动器,调整制动器拉力,以确保安全使用。
- 必须使用Micro Mobility提供的原装零件进行维护和维修工作。



注意

首次骑行本电动滑板车5小时后,请检查所有螺丝是否拧紧,如有必要,请将所有松动的螺丝拧紧。

电池维护

请遵守保养说明延长电池组的使用寿命:

- 电池储存温度范围为5°C 到 25°C。
- 购车后,请立即将电池充满电。
- 不骑行时,请每三个月将电池充满电。
- 电池电量完全耗尽后,请务必在三天内再次充满。



注意

不遵守上述保养说明所造成的损坏不在保修索赔范围内。

技术参数

	Micro Explorer S
产品编号	EM0072, EM0076, EM0083
车轮尺寸(前/后)	200 / 200毫米
重量	14.7 公斤
电门把手	✓
前后轮刹车	✓
后车灯	✓
前车灯	✓
性能 (最大输出)	500瓦特
车轮材质	橡胶
车把手高度	1095 mm
总长	1028 mm
电池	36 V / 9.6 Ah / 345 Wh
电池型号	EVE
续航里程	40公里 *
速度	6 / 15 / 25 公里/小时 **
充电时间	3.5 小时
充电状态	显示器上的指示

(*) 自动骑行需具备正常操作条件(平面, 温度为摄氏20°, 载人体重为75公斤, 节能模式)

(**) 根据特定国家/地区的规定, 最大速度可能会限制为20公里/小时。

EC符合性声明

制造商:

Micro Mobility Systems Ltd. Bahnhofstrasse 10
8700 Küsnacht
Switzerland

编制本技术文件的授权代表

Micro Mobility Systems Ltd. Bahnhofstrasse 10
8700 Küsnacht
Switzerland

产品:

电动滑板车 (E-scooter)
EM0072 - Micro Explorer S Silver 25
EM0076 - Micro Explorer S Silver 20
EM0083 - Micro Explorer S AMG

序列号:
XXXXXXXXXXXX

充电器:
5541 (EU), 5253 (UK), 5255 (US), 5257 (AU)

上述产品符合以下指令:

- 欧盟机械指令 (2006/42/EC)
- EMC指令 2014/30/EU
- EMC指令 2014/35/EU
- RoHS指令 2011/65/EU

在检验过程中采用了以下 (协调) 标准:

● EN ISO 12100:2010	机械指令	滑板车
● EN61000-6-1:2019	EMC	滑板车/充电器
● EN55014-1:2017	EMC	充电器
● EN55014-2:2015	EMC	充电器
● EN61000-3-2:2019	EMC	充电器
● EN61000-3-3:2013	EMC	充电器
● EN61000-6-3:2021	EMC	滑板车/充电器
● EN60335-1:2012+A11:2014+A13:2017 +A1:2019+A14 :2019+A2 :2019	LVD	滑板车/充电器
● EN60335-2-29:2016	LVD	充电器
● 2011/65/UE, 2015/863/UE	RoHS	滑板车/充电器
● EC1907/2006	REACH	滑板车
● EN61558-1:2005+A1:2009	LVD	充电器
● EN61558-2-16:2009+A1:2013	LVD	充电器

其他应用技术标准和规格:

- EN17128:2020 滑板车 - 个人轻型电动车 (PLEV)
- EN15194:2018 电动助力自行车 (EPAC)
- EN62133:2012 电池
-

01.07.2022 Küsnacht



Wim Ouboter - CEO

保修

保修服务范围：

- 电动滑板车部件享受2年保修：脚踏板、所有前部组件、刹车踏板。所有易损件、小零件和螺丝均不在本保修范围之内。
- 电池享受1年保修或300次完全充电周期服务（以先到为准）。我们保证剩余电池容量是原始额定容量的60%。
- 电气元件保修一年：电机，显示器，控制器和电缆。

保修服务范围

根据本保修服务，Micro承诺在相应的保修期内提供以下服务：对于与原始型号和/或颜色有所不同的替换件，由Micro自行决定是否维修或更换此类同等零件/部件；

不在保修范围内却属于经销商技能范畴的服务，以及交付时未清洁的滑板车的清洁服务，将以标准小时费率计费，包括所有材料和运输费用；

- 任何在保修期内提供的服务（维修/更换）均不会延长原始保修期。
- 上述内容以外的任何索赔均不适用。

保修条款和条件

本保修不包括以下任何损坏：

- 在需要时未对电池重新充电造成的损坏。

- 因储存、充电或在超出规定温度范围外使用所造成的损坏。
- 使用不当、应用不当或过失操作(例如跳跃)。
- 第三方不正确的改造(例如打开踏脚板)。
- 充电不当(例如使用与所提供的充电器不同的充电器充电)。
- 在下坡骑行时,超过40公里/小时的最高车速。
- 在未经制造商同意的情况,对滑板车进行技术改装。
- 后续更换/安装不兼容的或非原厂的零件。
- 磨损零件,如球轴承、滑动轴承、轴承螺栓和轴承螺丝等。
- 未能遵从维护间隔要求。
- 由于未设置、设置不当或磨损组件而导致的损坏。
- 由于摔倒而产生的后果。
- 使用本电动滑板车对第三方造成的任何人身伤害或财产损失等。
- 使用不合适的清洁剂、如高压清洗机之类的工具或使用添加剂造成的损坏。
- 用户在防水措施上的疏忽造成的损坏(本电动滑板车防溅湿,但不防水)。

可分割性条款

本保修条款中的任何一条失效或成为无效条款时,或出现漏洞需要修订时,并不会影响其他条款的有效性。遗漏或无效的条款应尽可能替换为与原始条款的意图和目的接近的条款。

适用法律和管辖权

如因本保修条款产生任何争议(也涉及存在性或有效性问题),则专属管辖法院应为 Court of the Canton of Zurich。本采购合同受瑞士法律的约束,不适用冲突法,不适用“联合国国际货物销售合同公约”(联合国国际买卖公约)。

MICRO-保修卡

请完整填写micro-保修卡,然后与购买收据一起收好。

车主

姓名

街道/门牌号

邮政编码

国家

滑板车

序列号

型号

颜色

车轮尺寸

特征

购买日期

经销商名称

经销商地址

购买价格



维修记录

必须将本电动滑板车的所有维护活动记录在维修记录中。每年或每行驶500公里后，须将电动滑板车送到授权服务中心检查。

订单类型	。年度维护 。维修
维护日期	
维护人员	
订单号	
维护内容	
付费维护	
日期、签字、盖章	

订单类型	。年度维护 。维修
维护日期	
维护人员	
订单号	
维护内容	
付费维护	
日期、签字、盖章	



목차

1.	구성품	244
2.	일반 정보	
	원래 지침의 번역	245
	용어 및 기호 설명	246
3.	사용 용도	247
4.	안전 지침	248 - 250
5.	사용 설명서	
	스쿠터 식별	251
	마모	251
	배터리 사용 지침	252
	도난 방지	252
	전기 스쿠터 이송	252
	보관	252
	낙마 또는 사고 후 조치 사항	253
	청소	253
	수리	253
	폐기 지침	254
6.	초기 설치	
	처음으로 사용하기 전에	255
	사용하기 전에	256
7.	작동	
	퍼기	257
	접기	258
	접이식 핸들	259
	라이트 켜기 및 끄기	259
	배터리 충전	260
	브레이크	261
	풋 브레이크 작동	261

회생 브레이크 작동.....	262
전기 스쿠터 타기	262
핸드 브레이크 작동.....	262
스로틀 그립	263
크루저 컨트롤	263
라이딩 프로그램	263
라이딩 프로그램 설정	264
디스플레이 기능 설명	264

8.

유지관리

배터리 유지관리	265
----------------	-----

9.

기술 데이터

266

10.

적합성 고지

267

11.

보증

보증 서비스 범위	268
-----------------	-----

12.

보증 조건

268

13.

Micro-Pass

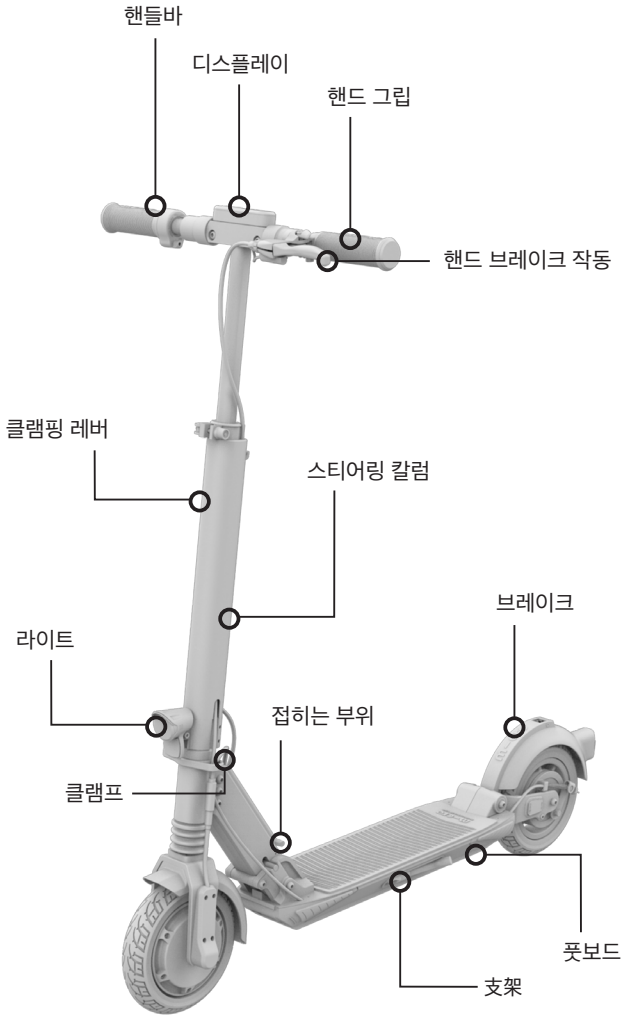
270

14.

서비스 일지

271

구성품



일반 정보

사용 설명서

전기 스쿠터를 사용하기 전에 안전 지침 등 사용 설명서를 주의 깊게 읽어 주십시오. 전기 스쿠터를 탈 때 국내외 도로 규정을 준수하십시오. 나중에 참고할 수 있도록 본 설명서를 잘 보관하십시오. 다른 사람에게 전기 스쿠터를 양도할 경우 본 설명서도 함께 제공하십시오.



용어 및 기호 설명

안전 기호는 발생할 수도 있는 위험을 사용자에게 알려줍니다. 설명을 주의 깊게 읽고 안전 기호를 숙지하시기 바랍니다. 안전 지침을 준수하지 않을 경우 본인이나 다른 사람이 부상을 당하거나 기물이 파손될 수 있습니다.

다음과 같은 기호와 신호어가 사용 설명서 원본, 전기 스쿠터 또는 포장에 사용됩니다.



경고

중간 수준의 위험을 나타내며 준수하지 않을 경우 심각한 또는 치명적인 부상을 입을 수 있습니다. 이 신호어는 물질적 피해만 있는 위험에는 사용되지 않습니다.



주의

낮은 수준의 위험을 나타내며 준수하지 않을 경우 경미한 부상을 입을 수 있습니다. 이 신호어는 물질적 피해만 있는 위험에는 사용되지 않습니다.



참고사항

실질적인 정보와 팁을 나타내며, 전기 스쿠터를 최적의 상태에서 사용할 수 있도록 해줍니다.

사용 용도

- 전기 스쿠터는 양호한 도로에서 사용해야 합니다.
- 전기 스쿠터는 한 사람만 사용해야 합니다.
- 전기 스쿠터는 체중이 최대 100kg, 신장이 최대 190cm인 사람만 사용하도록 설계되어 있습니다.
- 전기 스쿠터를 사용하기 전에 해당 국가의 도로 교통 규정을 학습하고 숙지하십시오.
- 전기 스쿠터는 물건이나 어린이를 이송하는 데 적합하지 않습니다.
- 전기 스쿠터는 개인용으로만 사용해야 하며, 상업적 목적으로 사용해서는 안 됩니다.
- 전기 스쿠터는 16세 이상의 사용자에게 적합합니다.
- 사용 용도에는 '사용 참고사항' 및 '유지관리' 장에 있는 내용을 준수하는 것도 포함되어 있습니다.
- 전기 스쿠터는 사용 설명서 원본에 명시된 대로 사용해야 합니다. 그 외의 방법으로 사용할 경우 규정을 준수하지 않은 것으로 간주되며, 사고나 부상을 당하거나 기물이 파손될 수도 있습니다.
- 모터 전력은 450W입니다. 가속 시 배터리의 허용 가능한 최대 총 전력은 500W입니다.

안전 지침



경고

- 전기 스쿠터 사용

- 전기 스쿠터의 조작법과 기능을 완전히 숙지하지 않은 경우에는 사용하지 마십시오.
- 신체적 장애, 인지 또는 정신적 장애, 경험과 지식이 부족한 사람은 전기 스쿠터를 사용하지 마십시오.
- 어린이가 전기 스쿠터를 사용하거나, 청소하거나, 유지관리해서는 안 됩니다.
- 별도의 전기 브레이크 보조장치(모터 브레이크)는 정지 거리를 단축시킬 수도 있습니다. 모터 브레이크는 다음의 경우 지원되지 않습니다.
 - 배터리가 방전되었고 순전히 힘으로만 사용할 경우.
- 해질녘이나 조명이 어두운 곳에서는 사용하지 마십시오.
- 최적의 시야와 안전을 확보할 수 있도록 항상 라이트를 켜고 이용하십시오.
- 항상 적절한 보호 장구를 착용하십시오.
- 법적 규정에 없더라도 승인을 받은 바이크 헬멧을 착용하십시오.
- 항상 신발을 착용하십시오.
- 급경사는 낙마할 가능성이 있으므로 피하십시오.
- 항상 도로에 있는 다른 사람들의 움직임에 유의하십시오. 다른 사람의 실수로 사고와 부상을 입을 수 있습니다.
- 항상 조심해서 사용하고 도로 상황에 특별히 주의하십시오. 미끄럼, 나뭇잎 등 예상치 못한 도로 사정으로 미끄러질 위험이 높습니다.



- 스쿠터로 점프를 하면 안 되며, 항상 움푹 패인 곳, 커브, 기타 장애물을 피해야 합니다.
- 오랫동안 브레이크를 사용한 후에는 브레이크를 만지면 안 됩니다. 뜨거울 수 있습니다.
- 습한 날씨나 청소 등으로 전기 스쿠터가 젖은 경우 습도로 인해 브레이크 장치가 영향을 받을 수 있습니다. 청소 후 브레이크를 건조시키기 위해 안전한 곳에서 스쿠터를 사용하십시오.
- 전기 스쿠터를 생활 구역이나 발화성 물질 근처에 보관하지 마십시오.
- 편안하고 안정된 자세에서 항상 핸들바를 양손으로 잡고 양발은 보드에 올려놓으십시오.
- 뒤쪽 브레이크 페달을 사용할 경우 한 쪽 발만 사용하고 다른 쪽 발은 보드에 그대로 두어 스쿠터 조작 시 적절한 균형을 유지하십시오.
- 스쿠터 및 스쿠터 핸들을 접고 펼 때 손가락 및 다른 신체 부위가 끼이지 않도록 주의하십시오.
- 스쿠터 전원은 유지 관리 또는 조정 작업 시 꺼야 합니다.



경고

- 부착 및 개조

- 전기 스쿠터를 개조하거나 잘못된 액세서리를 부착하지 마십시오. 위험할 수 있습니다.
- 비인가된 액세서리를 사용하면 심각한 부상을 당하거나 전기 스쿠터가 손상될 수 있습니다.
- 전기 스쿠터를 '개조' 또는 '튜닝'하는 것은 금지되어 있습니다.
- 가방 등 물건을 핸들바에 걸지 마십시오. 조작 특성에 나쁜 영향을 미칠 수 있습니다.



경고

- 배터리 사용

- 동봉된 충전기만으로 배터리를 충전하고 5° ~ 25°C 사이에서만 충전하십시오.
- 배터리 안전 지침을 준수하십시오.
- 배터리를 충전할 때 자리를 비우지 마십시오.
- 배터리 충전 시 적절한 플러그를 사용하고, 환기를 시키고, 건조한 상태를 유지하십시오.
- 충전기, 본체, 연결 케이블이 물에 닿지 않도록 합니다. 물에 닿으면 전기에 감전될 수 있습니다. 젖은 손으로 배터리와 충전기를 만지지 마십시오.
- 주기적으로 연결 플러그와 충전기를 확인하십시오. 손상된 부위가 있으면 교체하십시오.
- 항상 배터리를 5° ~ 25°C 사이에서 보관하십시오.
- 배터리는 항상 어린이와 동물들이 닿을 수 없는 곳에 보관하십시오.
- 모든 배터리 수리 및 유지관리는 전문가가 수행해야 합니다.



경고

- 설치, 유지관리, 수리

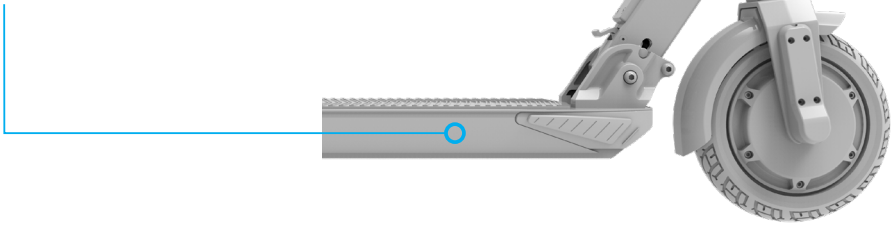
- 나사를 정확히 조이지 않으면 부품 피로가 발생할 수 있습니다. 나사에 과도한 스트레스를 가하면 느슨하게 되고 마모될 수 있습니다. 이렇게 되면 사고와 부상을 당할 위험이 높습니다. 항상 토크 스페너로 나사를 조이십시오.
- 구동 장치의 수리는 항상 전문가에게 요청하십시오.

사용 설명서

스쿠터 식별

- 일련 번호는 데크의 전면 오른쪽에 있습니다.

XXXXXXXXXXXX



- 스쿠터에 대한 자세한 내용은 스쿠터에 부착된 라벨에 나와 있습니다.

마모

전기 스쿠터는 사용하면 자연적으로 마모가 발생합니다. 항상 안전하게 사용할 수 있도록 '유지관리' 장을 읽고, 유지관리 간격을 준수하고, 공식 서비스 센터에서 수행한 서비스를 서비스 일지에 기록하십시오. 또한, 전기 스쿠터를 사용하기 전에 '사용하기 전에' 섹션에 나와 있는 지침을 준수하십시오.

배터리 사용 지침

내장된 리튬 배터리는 하이테크 제품으로서, 정확히 사용하고 유지관리할 경우 뛰어난 성능을 발휘합니다. '작동' 장의 '배터리 충전' 섹션과 '유지관리' 장의 '배터리 유지관리' 지침을 읽고 이에 따라 주십시오.

도난 방지

절대로 전기 스쿠터를 방치하지 마시고, 항상 적합한 잠금장치로 도난되지 않도록 보호하십시오. 시중에 판매되는 자전거 잠금장치를 뒷바퀴에 사용하여 전기 스쿠터를 잠그십시오.

전기 스쿠터 이송

배터리는 위험한 물질 규정의 적용을 받습니다. 제3자가 이송하려면 특수 포장 및 라벨 요건이 적용됩니다(예: 항공 화물, 소포). 이송 시 위험 물질에 대해 전문가에게 문의하십시오. 손상된 배터리는 이송하거나 배송하지 마십시오.

여행 요건 :항공사 및 현지 법률을 확인하십시오.

보관

스쿠터를 직사광선이나 추운 날씨에 오랫동안 노출하지 마십시오. 스쿠터와 배터리의 이상적인 보관 온도는 15° ~ 20°C입니다. 전기 스쿠터를 생활 구역에 보관하지 말고 차고에 보관하십시오.

낙마 또는 사고 후 조치 사항

낙마나 사고 후 전기 스쿠터를 공식 서비스 센터로 가져와서 손상을 점검받으십시오.

청소

나사의 부식과 불필요한 마모를 방지하기 위해 매 3개월마다, 그리고 비가 올 때 사용한 후 완전히 청소하고 건조할 것을 권장합니다. 청소 후 깨끗한 물로 스쿠터를 씻어서 세제가 남아 있지 않도록 합니다. 그런 다음 천으로 스쿠터를 닦습니다.



참고사항

스쿠터 전용 세제를 사용하고 부드러운 스폰지로 청소합니다. 솔벤트로 청소하지 마십시오. 흐르는 물로 스쿠터를 바로 청소하지 마십시오.

수리

모든 수리는 공식 대리점이나 공식 서비스 센터로 요청하십시오. 직접 전기 구성품을 수리하지 마십시오. 전문가만이 내장된 전기 구성품이 포함된 엔클로저를 열 수 있습니다.

폐기 지침

폐기 시 환경에 유의하고 다음 지침을 준수하십시오.

- 전기 스쿠터와 해당 구성품(예: 배터리)는 승인된 폐기업체에서 또는 커뮤니티 폐기 시설을 통해서만 폐기해야 합니다.
- 규정을 준수하십시오. 잘 모를 경우 폐기 시설에 문의하여 친환경적으로 폐기하십시오. 배터리와 전기 부품은 생활 쓰레기와 함께 폐기해서는 안 됩니다.



초기 설치

처음으로 사용하기 전에

- 제공된 내용물을 확인합니다.
 - 스쿠터, 충전기 및 전원 케이블, 사용 설명서
- 본 설명서 끝부분에 micro-Pass가 있습니다. micro-Pass를 모두 기입한 후 영수증과 함께 보관하십시오. micro-Pass를 소지하시면 수리와 보증을 손쉽게 받을 수 있습니다.
- 배터리는 배송 시 일부만 충전되어 있습니다. 처음으로 사용하기 전에 제공된 충전기로 배터리를 완전히 충전하십시오.

사용하기 전에

전기 스쿠터는 사용하기 전에 도로에 적합한지 점검을 해야 합니다. 스쿠터는 바로 사용할 수 있는 상태로 제조업체에서 배송합니다. 스쿠터의 성능에 악영향을 미치는 결함이 이송 중 또는 다른 상황에서 발생할 수 있기 때문에 항상 사용하기 전에 다음 항목을 확인하십시오.

시험 항목	시험 내용
라이트	라이트가 켜져 있습니까?
일반적인 상태	모든 나사가 단단히 조여져 있고 모든 구성품이 고정되었습니까?
브레이크	브레이크가 정확히 설정되어 있고 정상적으로 작동합니까?
접히는 부위	접히는 부위가 정상적으로 접히고, 클램핑 레버가 닫히고 단단히 조여져 있습니까?
배터리 충전 상태	배터리가 충분히 충전되어 있습니까?
현재 탑승 모드	현재 어떤 드라이빙 모드가 설정되어 있습니까?
Micro 앱	"Micro Mobility" 를 Android 또는 IOS 에서 다운로드합니다 .

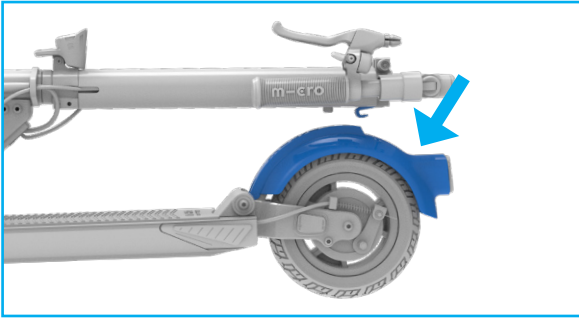
사용하기 전에 타이어 마모와 나사 조임을 확인해야 합니다.

작동

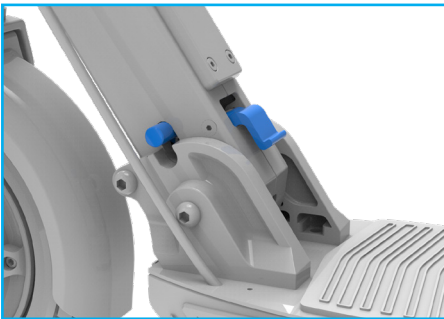
펴기

전기 스쿠터는 접힌 상태로 배송됩니다. 2~3 단계만으로 펴고 바로 사용할 수 있습니다. 다음은 스쿠터를 펴는 방법입니다.

1. 앞쪽 튜브 후크를 해제하려면 뒷바퀴 브레이크 페달을 누릅니다.

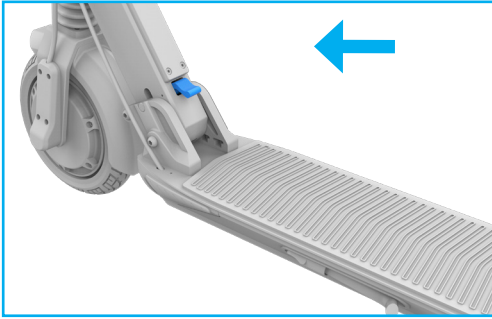


2. 딸깍하는 소리가 들릴 때까지 앞쪽 튜브를 들어올립니다. 이제 접히는 블록의 볼트가 정확한 위치에 있습니다.



접기

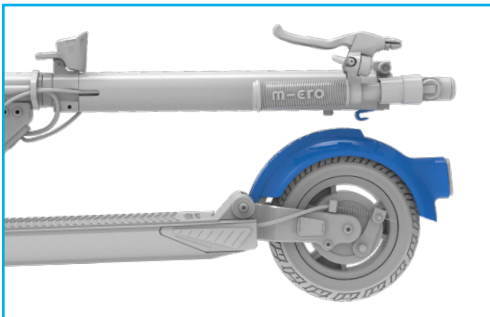
1. 스쿠터를 접으려면 핸들바를 탑승 방향으로 누르면서 발로 파란색 레버를 아래로 누릅니다.



2. 이 스쿠터에는 사이드 스탠드가 있습니다. 사이드 스탠드를 사용하시거나 스쿠터를 약간 접어서 세울 수 있습니다.

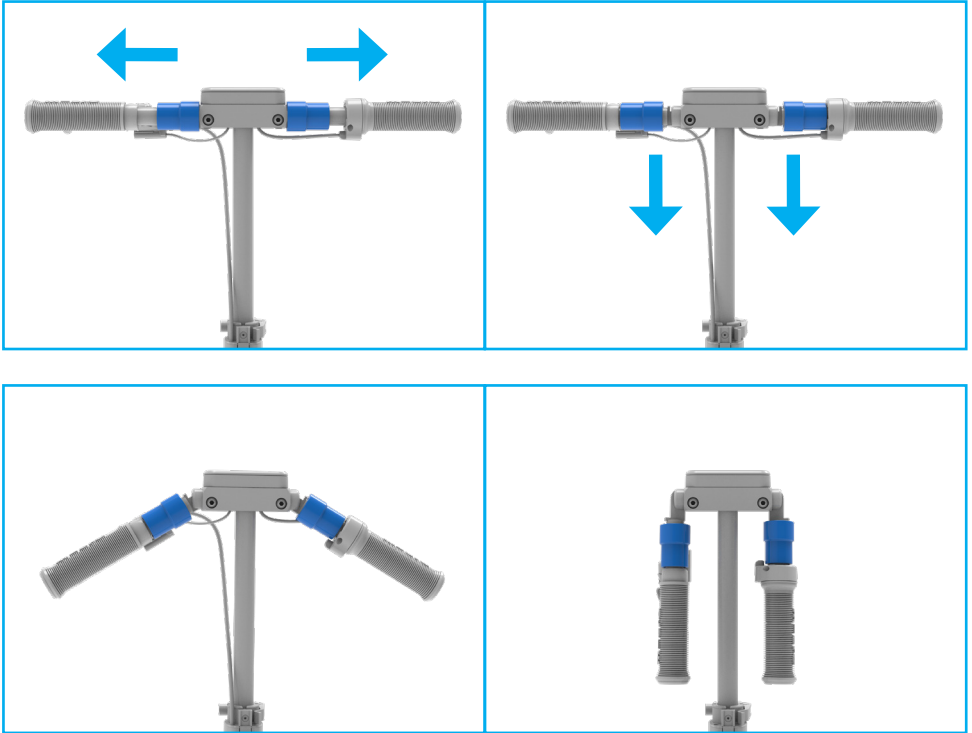


3. 수직 튜브에 있는 후크를 뒷바퀴 브레이크 페달에 끼웁니다.



접이식 핸들

스쿠터 핸들을 접어서 보관할 수 있습니다. 이렇게 하려면 핸들을 수평으로 두고 아래로 접으면 됩니다. 핸들을 펼치려면 위로 약간 밀면 자동으로 제 위치에 옵니다.



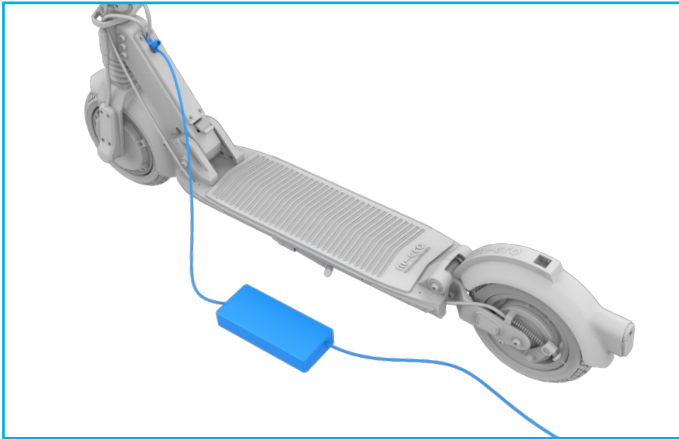
라이트 켜기 및 끄기

- 조명을 켜거나 끄려면 조명 버튼을 짧게 누릅니다 (디스플레이 오른쪽에서 두 번째 버튼).


배터리 교체

다음은 충전 절차를 설명합니다.

- 전기 스쿠터를 충전기에 연결하십시오.
- 충전기를 전기 콘센트에 연결합니다. 충전기와 스쿠터가 정확히 연결되면 전원공급장치의 LED 디스플레이가 빨간색으로 바뀝니다(2~3초 정도 소요).
- 스쿠터가 완전히 충전되면 충전기의 LED 디스플레이가 녹색으로 바뀝니다.



- Micro 전기 스쿠터는 Micro 충전기만으로 충전할 수 있습니다.
- 밀폐 효과를 높이기 위해 사용 후 충전 커넥터의 보호 덮개를 닫아주십시오.

 : 충전기 참조: 5541 (EU), 5253 (UK), 5255 (US), 5257 (AU).



경고

장착된 배터리는 재충전이 가능한 리튬-이온 배터리입니다. 절대로 재충전을 할 수 없는 배터리는 충전하지 마십시오.

브레이크

가능한 경우, 브레이크를 사용할 때 여러 개의 브레이크 장치를 사용하십시오.
긴 경사로를 내려올 때 과열을 방지하기 위해 브레이크 장치를 바꿔서 사용하십시오.

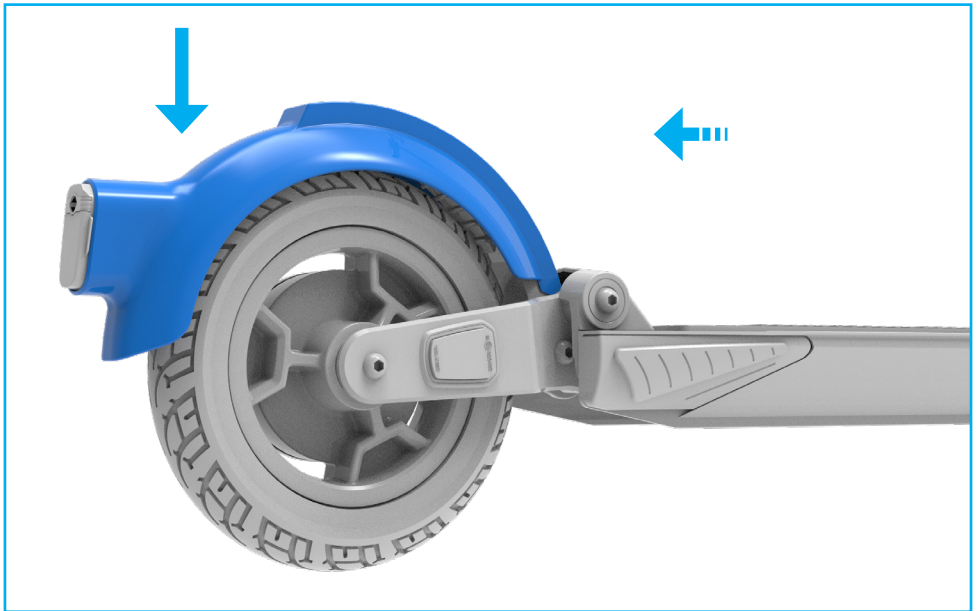


경고

습한 또는 젖은 노면에서는 정지 거리가 늘어납니다.
주의를 기울이고 미끄럽거나 불규칙한 노면에서는
속도를 줄입니다.

풋 브레이크 작동

브레이크를 사용할 때 몸을 이동하여 중력의 중심이 뒷바퀴로 향하도록 하여 브레이크 효과를
최대로 높이십시오. 체중을 뒤로/아래로 이동하면 정지 거리를 많이 단축할 수 있습니다. 풋
브레이크를 작동하면 모터 브레이크도 자동으로 작동합니다.



회생 브레이크 작동

회생 브레이크(모터 브레이크)를 작동하려면 스로틀 그립을 0 위치에서 이동 방향으로 회전하십시오. 전기 모터 브레이크가 작동하는 것을 바로 느낄 수 있습니다.



전기 스쿠터 타기



경고

새로운 탑승 감각에 익숙해지도록 천천히 주행합니다(특히, 처음으로 사용할 경우). 전기 스쿠터를 고속으로 주행하면 정지 거리도 길어진다는 사실을 항상 염두에 두십시오.

핸드 브레이크 작동

핸드 브레이크(뒷바퀴의 드럼 브레이크)를 작동하려면 핸드 레버를 왼쪽으로 당깁니다. 핸드 브레이크를 작동하면 모터 브레이크도 자동으로 작동합니다.



스로틀 그립

전기 스쿠터에는 속도를 조절하는 스로틀 그립이 있습니다. 그립을 몸쪽으로돌리면 스쿠터가 가속됩니다.



라이딩 프로그램

전기 스쿠터에는 미리 설정된 탑승 프로그램이 여러 개 있습니다. 예를 들어, 에코 모드는 장거리를 편안하게 이동하고, 스포츠 모드는 언덕을 빠르게 올라갈 수 있습니다.

라이딩 프로그램	디스플레이의 프로그램 표시	최대 속도*
도보 모드	1.	6 km/h
에코 모드	2.	15 km/h
표준 모드	3.	20 km/h
스포츠 모드	4.	25 km/h

* 국가 별 규정에 따라 최대 속도는 20km / h로 제한 될 수 있습니다.



참고사항

전기 스쿠터는 도로에서 일반적인 목적으로 사용하도록 승인되지 않았습니다. 각 나라별로 도로에서의 전기 차량에 관한 규정과 제한이 있습니다(특히, 최대 속도, 성능, 허용된 도로). 해당 국가의 가이드라인을 정확히 숙지하십시오.

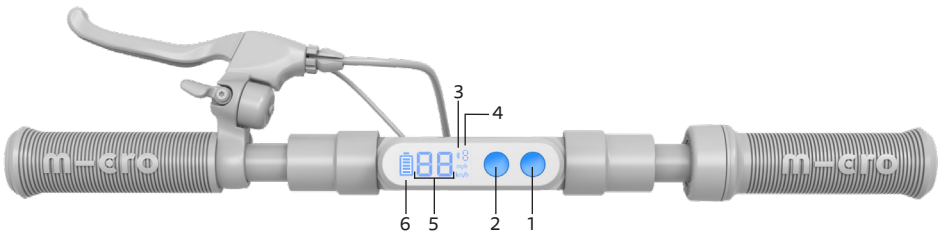
라이딩 프로그램 설정

켜짐 / 꺼짐 및 모드 선택 버튼을 클릭하여 주행 프로그램간에 전환 할 수 있습니다.

디스플레이 인터페이스 및 기능

다음 그림은 디스플레이의 다른 위치를 보여줍니다.

- 화면 상단에 있는 숫자(1-4)은 선택된 승차 프로그램.
- 왼쪽의 큰 숫자는 현재 속도를 보여줍니다.
- 왼쪽의 배터리 아이콘은 현재 상태를 표시합니다.배터리 충전.



- | | |
|--|---|
| <p>1. ON / OFF 및 모드 선택 버튼 :</p> <ul style="list-style-type: none"> - ON / OFF : 3 초간 누름 - 모드 (1-4) : 짧은 클릭 <p>2. 라이트 버튼 :</p> <ul style="list-style-type: none"> - 라이트 ON / OFF : 짧은 클릭 | <p>3. 앱 연결</p> <p>4. 모드 (1-4)</p> <p>5. 속도</p> <p>6. 배터리 잔량</p> |
|--|---|

유지관리

전기 모터의 수명을 늘리려면 1년에 한 번 또는 매 500km마다 한 번(먼저 도달할 경우) 공식 대리점이나 공식 서비스 센터에서 서비스를 받아야 합니다. 서비스 센터에 서비스 일지를 제출하고 서비스가 정확하게 입력되었는지 확인하십시오.

- 완벽하고 안전한 탑승을 위해 적절한 윤활유로 베어링을 관리하는 것이 좋습니다.
- 안전하게 사용할 수 있도록 드럼 브레이크는 주기적으로 점검하여 장력을 조절해야 합니다.
- 모든 유지 관리 및 수리는 Micro Mobility에서 제공하는 정품을 사용하여 이루어져야 합니다.



참고사항

전기 스쿠터를 처음으로 5시간 사용한 후 모든 나사가 조여져 있는지 확인하고, 필요한 경우 느슨한 나사를 조입니다.

배터리 유지관리

배터리 팩의 수명을 늘리려면 주의 사항에 따라 주십시오.

- 배터리는 5° ~ 25°C 사이에 보관합니다.
- 구입 후 즉시 배터리를 완전히 충전하십시오.
- 스쿠터를 사용하지 않을 경우 매 3개월마다 배터리를 완전히 충전하십시오.
- 배터리는 완전히 방전된 후 3일 이내에 재충전해야 합니다.



참고사항

위의 주의 사항을 위반하여 발생한 손해는 보증을 받을 수 없습니다.

기술 데이터

Micro Explorer S	
부품 번호	EM0072, EM0076, EM0083
바퀴 크기(앞쪽/ 뒤쪽)	200 / 200 mm
무게	14.7 kg
스로틀 그립	✓
전륜 및 후륜 브레이크	✓
뒤쪽 라이트	✓
앞쪽 라이트	✓
성능 (최대 출력)	500와트
바퀴 재질	고무
핸들바 높이	1095 mm
총 길이	1028 mm
배터리	36 V / 9.6 Ah / 345 Wh
셀	EVE
범위	40 km*
속도	6 / 15 / 25 km/h**
충전 시간	3.5시간
충전 상태	디스플레이에 표시

(* 일반적인 상황(평평한 지면, 온도 20°C, 75kg 탑승자, 에코 모드)을 기준으로)

(**) 국가 별 규정에 따라 최대 속도는 20km / h로 제한 될 수 있습니다.

EC 적합성 고지

제조업체:

Micro Mobility Systems Ltd. Bahnhofstrasse 10
8700 Küsnacht
Switzerland

기술 문서를 편집한 공식 대리인

Micro Mobility Systems Ltd. Bahnhofstrasse 10
8700 Küsnacht
Switzerland

제품:

전기 스쿠터(E-스쿠터)
EM0072 - Micro Explorer S Silver 25
EM0076 - Micro Explorer S Silver 20
EM0083 - Micro Explorer S AMG

일련 번호:
XXXXXXXXXXXX

충전기:
5541 (EU), 5253 (UK), 5255 (US), 5257 (AU)

상기 제품은 다음 지침을 준수합니다.

- Machinery Directive 2006/42/EC
- EMC Directive 2014/30/EU
- LVD Directive 2014/35/EU
- RoHS Directive 2011/65/EU

다음의 (조화) 기준이 검사에 적용되었습니다.

- | | | |
|---|---------------------|---------|
| ● EN ISO 12100:2010 | Machinery Directive | 스쿠터 |
| ● EN61000-6-1:2019 | EMC | 스쿠터/충전기 |
| ● EN55014-1:2017 | EMC | 충전기 |
| ● EN55014-2:2015 | EMC | 충전기 |
| ● EN61000-3-2:2019 | EMC | 충전기 |
| ● EN61000-3-3:2013 | EMC | 충전기 |
| ● EN61000-6-3:2021 | EMC | 스쿠터/충전기 |
| ● EN60335-1:2012+A11:2014+A13:2017
+A1:2019+A14 :2019+A2 :2019 | LVD | 스쿠터/충전기 |
| ● EN60335-2-29:2016 | LVD | 충전기 |
| ● 2011/65/UE, 2015/863/UE | RoHS | 스쿠터/충전기 |
| ● EC1907/2006 | REACH | 스쿠터 |
| ● EN61558-1:2005+A1:2009 | LVD | 충전기 |
| ● EN61558-2-16:2009+A1:2013 | LVD | 충전기 |

기타 관련 기술 기준 및 사양:

- EN17128:2020 스쿠터 - 개인용 경량 전기 자동차 (PLEV)
- EN15194:2018 EPAC 자전거
- EN62133:2012 배터리

01.07.2022 Küsnacht



Wim Ouboter, CEO

보증

다음 보증 서비스를 제공합니다.

- 스쿠터 구성품에 2년 보증: 풋보드, 앞쪽 어셈블리 전체, 브레이크, 페달. 모든 마모 부품, 작은 부품, 나사는 이 보증에서 제외됩니다.
- 배터리에 1년 보증 또는 300번 완전 충전(먼저 도달한 경우). 정격 용량의 60%를 남은 용량으로 보증합니다.
- 전기 부품에 대한 1년 보증 : 모터, 디스플레이, 컨트롤러 및 케이블.

보증 서비스 범위

Micro는 본 보증에 따라 해당 보증 기간 동안 다음 서비스를 제공합니다. Micro의 자유재량에 의거, 수리 또는 동일한 부품/구성품으로 교체. 이때, 교체는 모델 및/또는 색상에 따라 원래 제품과 다를 수 있습니다. 보증에 해당되지 않고 대리점의 스킵 세트에 포함되는 서비스와 청소가 되지 않은 상태로 배송된 스쿠터의 청소는 모든 자재 및 운송 비용을 포함하여 표준 공수로 청구됩니다.

- 보증을 받은 모든 서비스(수리/교체)는 원래 보증을 연장하지 않습니다.
- 상기에 언급된 내용을 제외한 모든 보증 요청은 적용되지 않습니다.

보증 약관

다음으로 인해 발생한 피해는 보증을 받을 수 없습니다.

- 필요할 때 배터리를 재충전하지 않아서 발생한 피해.

- 지정된 온도 범위를 벗어난 보관, 충전, 사용으로 인한 피해.
- 부적절한 사용이나 부주의한 작동(예: 점프).
- 제3자에 의한 부적절한 개조(예: 풋보드 개방).
- 부적절한 충전(예: 제공된 충전기가 아닌 다른 충전기로 충전).
- 내리막길에서 최대 속도 40km/h를 초과.
- 제조업체의 동의 없이 스쿠터를 기술적으로 개조.
- 호환되지 않거나 정품이 아닌 부품의 변환/설치.
- 볼 베어링, 슬라이딩 베어링, 베어링 볼트, 베어링 나사 등 마모된 부품.
- 유지관리 간격 미준수.
- 누락되었거나 잘못된 설정 또는 마모된 구성품으로 인한 피해.
- 낙하로 인한 피해.
- 스쿠터 사용으로 인한 자신이나 타인의 피해 또는 물질적 피해.
- 잘못된 세척제, 그리고 고압 청소기나 접착제 등의 기구 사용으로 인한 피해.
- 방수와 관련하여 사용자의 부주의로 인한 피해(전기 스쿠터는 물방울은 방지하지만 방수 기능은 없습니다).

가분성 조항

본 보증의 일부 조항이 무효가 되거나 개선해야 할 문제점을 내포하고 있는 경우 다른 조항의 유효성에는 영향을 미치지 않습니다. 누락된 또는 유효하지 않은 조항은 가능한 빨리 원래 조항의 취지에 맞게 새로운 조항으로 대체됩니다.

준거법

본 보증으로 인해 분쟁이 발생할 경우(존재 또는 유효성에 관한 의문에 관해서도) 전적으로 취리히 주법정에서 심의합니다. 본 구매 계약서는 저축법과 국제 물품 매매 계약에 관한 유엔 협약(UN 판매 협약)을 제외하고 스위스 법률이 적용됩니다.

MICRO-PASS

micro-Pass를 모두 작성한 후 영수증과 함께 보관하십시오.

소유자

성명

주소 및 번지수

우편번호

국가

스쿠터

일련 번호

모델

색상

바퀴 크기

특수 기능

구입일

딜러 이름

딜러 주소

구입 가격



서비스 일지

전기 스쿠터의 모든 유지관리를 서비스 일지에 기록해야 합니다. 전기 스쿠터는 공식 서비스 센터에서 1년이나 매 500km마다 한 번 점검을 받아야 합니다.

주문 유형	<input type="checkbox"/> 연례 유지관리 <input type="checkbox"/> 수리
작업일	
작업자	
주문 번호	
작업 내용	
지불 내역에 따른 작업 내용	
날짜, 서명, 검인	

주문 유형	<input type="checkbox"/> 연례 유지관리 <input type="checkbox"/> 수리
작업일	
작업자	
주문 번호	
작업 내용	
지불 내역에 따른 작업 내용	
날짜, 서명, 검인	

